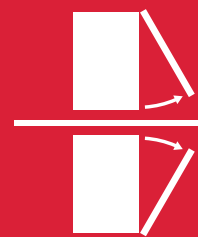




Kiario Opening System

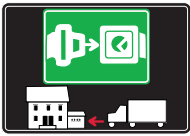


OPENING
SYSTEMS
FOR FLAP
AND DROP
DOWN
DOORS



SYMBOLS AND FINISHES LEGEND

SYMBOLS



= SHELF SAFELY LOCKED DURING TRANSPORTATION AND AT HOME.



= ANTI-TURNOVER LOCKING SYSTEM



= NORMS / PATENTS



= PHILLIPS / POZIDRIV



= NEWTON



= PART.NO



= HEXAGONAL SOCKET



= FRICTION



= PCS. PER PACKAGE



= BLADE SLOT



= AUTOMATIC



= COMBI SLOT



= DROP DOWN



= CAPACITY LOADING



= COUNTERSUNK HEAD



= WOOD / GLASS THICKNESS



= PAN HEAD



= STANDARD HINGE



= HOLE DIAMETER



= FLANGE HEAD



= KIMANA HINGE



= DIAMETER



= FLAT HEAD



= FLAP HINGE



= LENGTH



= TRILOBULAR SCREW



= WITH SPRING



= HEIGHT



= SELF-TAPPING SCREW



= WITHOUT SPRING



= RIGHT VERSION



= EURO THREAD



= REVERSED SPRING



= LEFT VERSION



= METRIC THREAD



= SETTING CODE



= PRE-INSERTED SCREW



= FOR ROUND TUBE



= PCS. PER PAD



= PRE-INSERTED SCREW AND SPREADING BUSH



= FOR OVAL TUBE



= CUT ON REQUEST



= WITH BUFFER



= SELF ADHESIVE



= WITH MAGNET



= WITH FLANGE

NOTE: Printing errors and omissions may exist despite our best efforts to ensure accuracy. We reserve the right to alter specifications without notice.

MATERIALS

ZA = Zinc Alloy	ST = Steel	HSS = High Speed Steel	BR = Brass	ABS = Acrylonitrile Butadiene Styrene
ZAnk = Nickel-plated Zinc Alloy	STzk = Zinc-plated Steel	AL = Aluminium	WD = Wood	EVA = Ethylene Vinyl Acetate

EP = ENGINEERING PLASTIC	+ EP = other engineering plastic available on request	SR = SOFT RUBBER	+ SR = other soft rubber available on request
--	--	--------------------------------	--

EPn = Natural Engineering Plastic	EPc = Clear Engineering Plastic	SRn = Natural Soft Rubber
EPw = White Engineering Plastic	EPg = Grey Engineering Plastic	SRw = White Soft Rubber
EPwg = Water Green Engineering Plastic		SRb = Black Soft Rubber



FINISHES



+ = OTHER FINISHES AVAILABLE ON REQUEST

PART. NO	FINISHES	PART. NO	FINISHES	PART. NO	FINISHES
AA	Natural	IJ	Light Grey	RO	Red
AB	White	IL	Grey 20	PZ	Beech
AC	Opal White	IN	Grey met. 26	QB	Walnut
AE	White 9010	JB	Bright Aluminium	QA	Maple
AK	Champagne	JC	Aluminium - Chrome	UT	T-Met 9007
AL	Ivory	JD	Matt Aluminium	UZ	T-Met
EA	Black	JE	Satin-finished Aluminium	WA	Bronzed
EB	Glossy Black	JF	Aluminium - Brass	WI	Burnished
EC	Matt Black	JG	Aluminium 5	XD	Satin-finished Steel
EE	Anthracite	JL	Aluminium PE 11	YA	Nickel-plated
EW	Grey 9007	JM	Aluminium RAL 9006	YB	Bright Nickel-plated
FU	Gunmetal	KA	Chrome	YC	Matt Nickel-plated
FV	Gunmetal V52	KB	Bright Chrome	YD	Satin-finished Nickel-plated
GR	Raw	KC	Matt Chrome	YQ	Black Nickel
HA	Brass-Plated	MA	Brown	Z9	Black Zinc
HH	Tropicalized	MB	Light Brown 1	ZA	Zinc alloy
HL	Raw Brass	NN	Metallic Beige	ZN	Zinc-plated
HX	Graphite	NO	Beige	ZQ	Bright Gold
IA	Grey	OA	Oak	ZY	Titanium
IB	Metallic Grey	OZ	Ash	ZZ	Clear
IF	Middle Grey	PA	Light Ash	OO	Insignificant finish

KIARO

Kiara is an opening system for drop down doors with a concealed mechanism which allows to adjust the settings depending on door weight and dimension, thus enabling to manage a wide range of doors with only one reference.

As it is a two-handed mechanism, it can be installed both on right and left side. A high resistance technical wire grants a significant loading capacity together with minimal shapes and elegant design. Available in two finishes which respond to the current overriding trends in the furniture appliances industry. It is conceived also to be installed with integrated led lighting.

ONE REFERENCE OF MECHANISM TO MANAGE EVERY SITUATION: ANY DOOR WEIGHT AND DIMENSION.

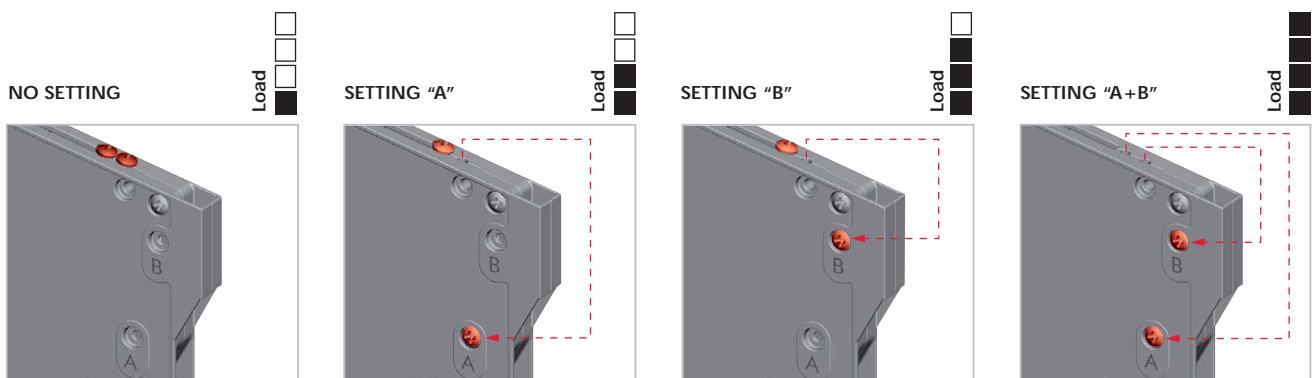
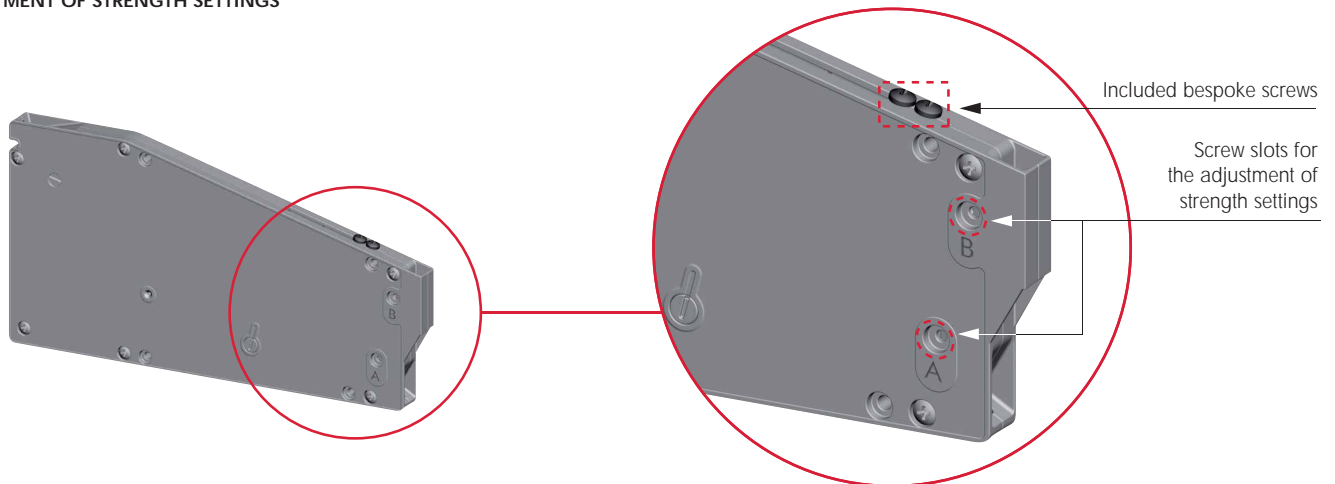
The same mechanism has 4 different strength settings which cover the most common door sizes and weight. The adjustment of strength settings can be carried out directly on the mechanism by slotting the bespoke screws into the corresponding places.



PAT. PENDING

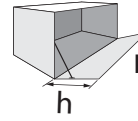


ADJUSTMENT OF STRENGTH SETTINGS

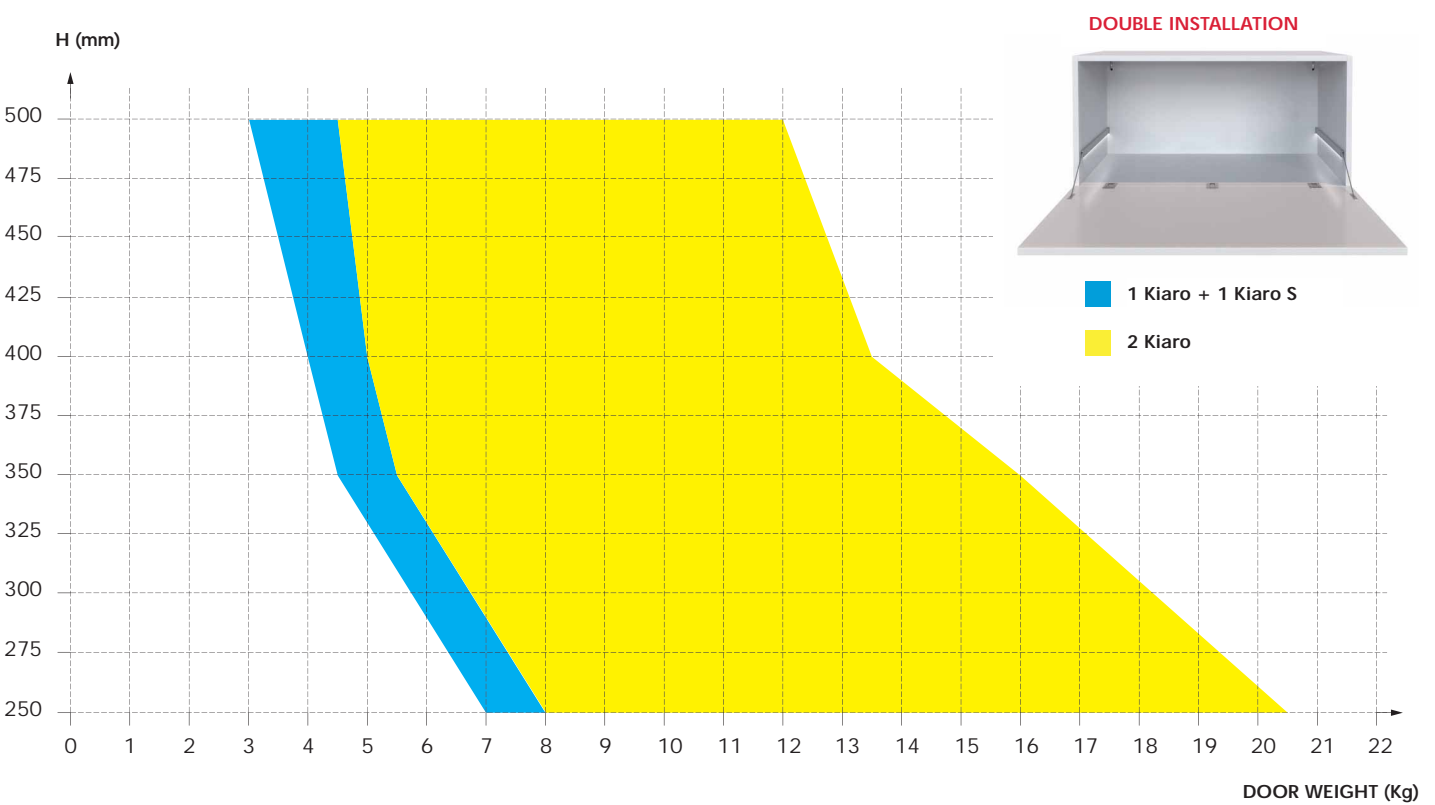
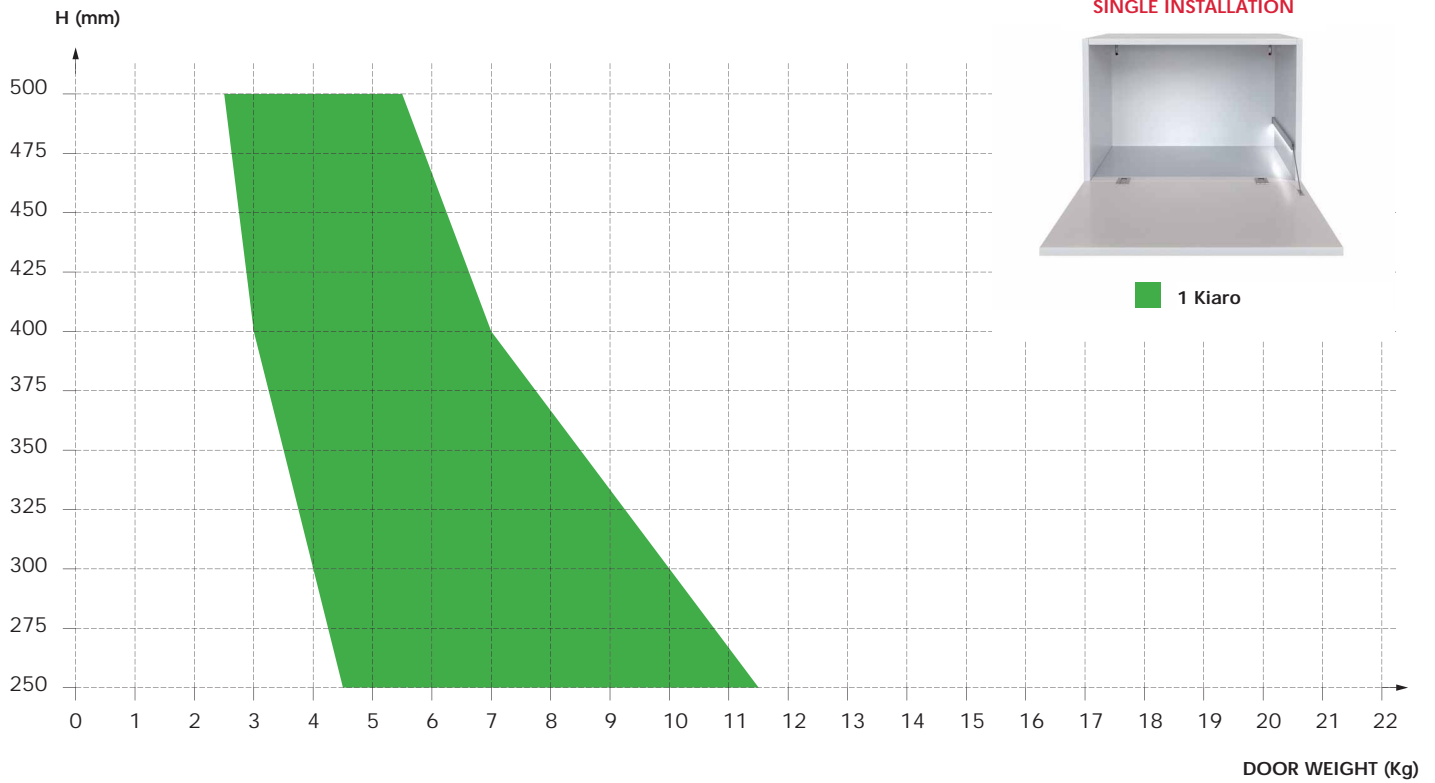




SOFT OPENING



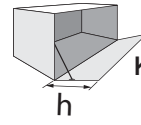
Kg = Door weight including the possible handle.



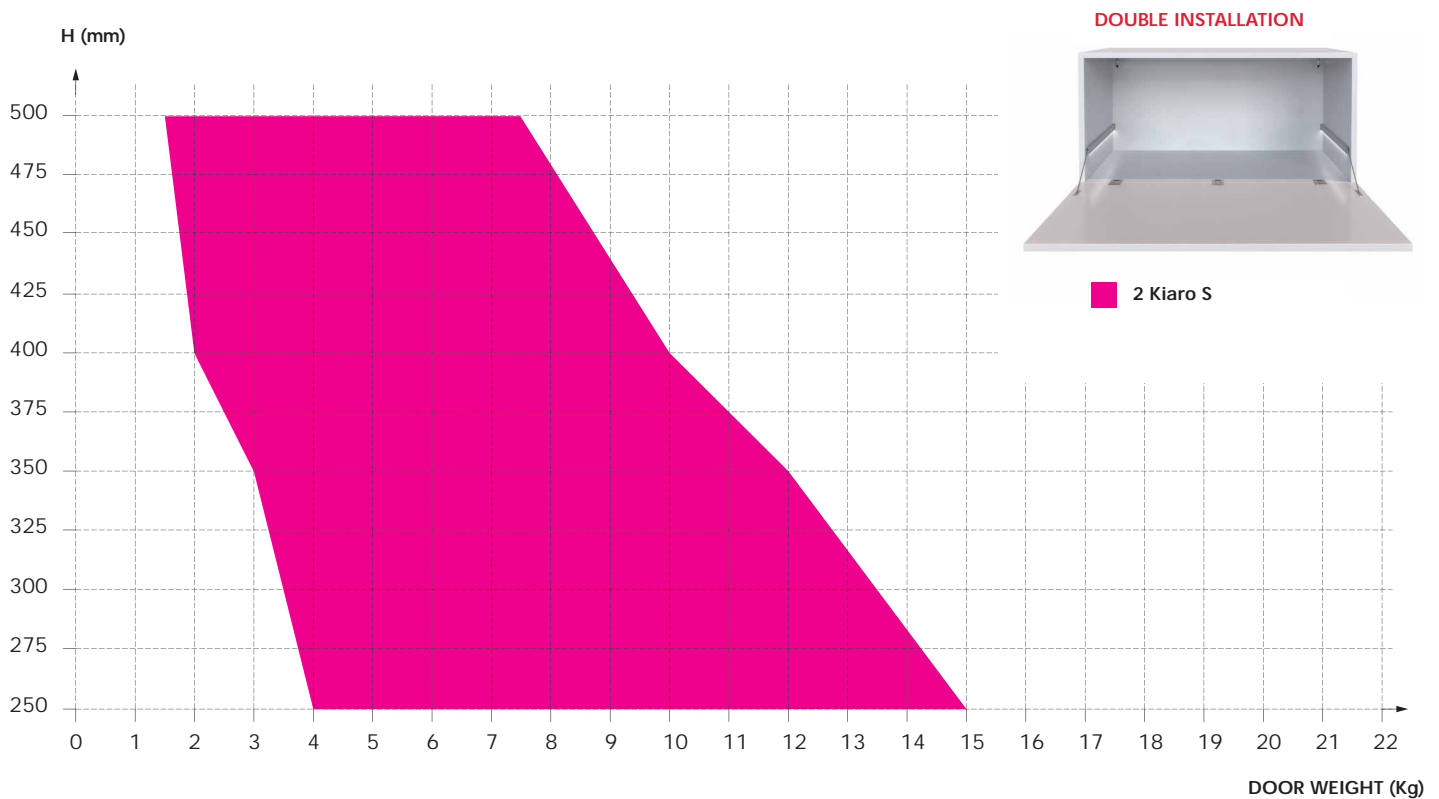
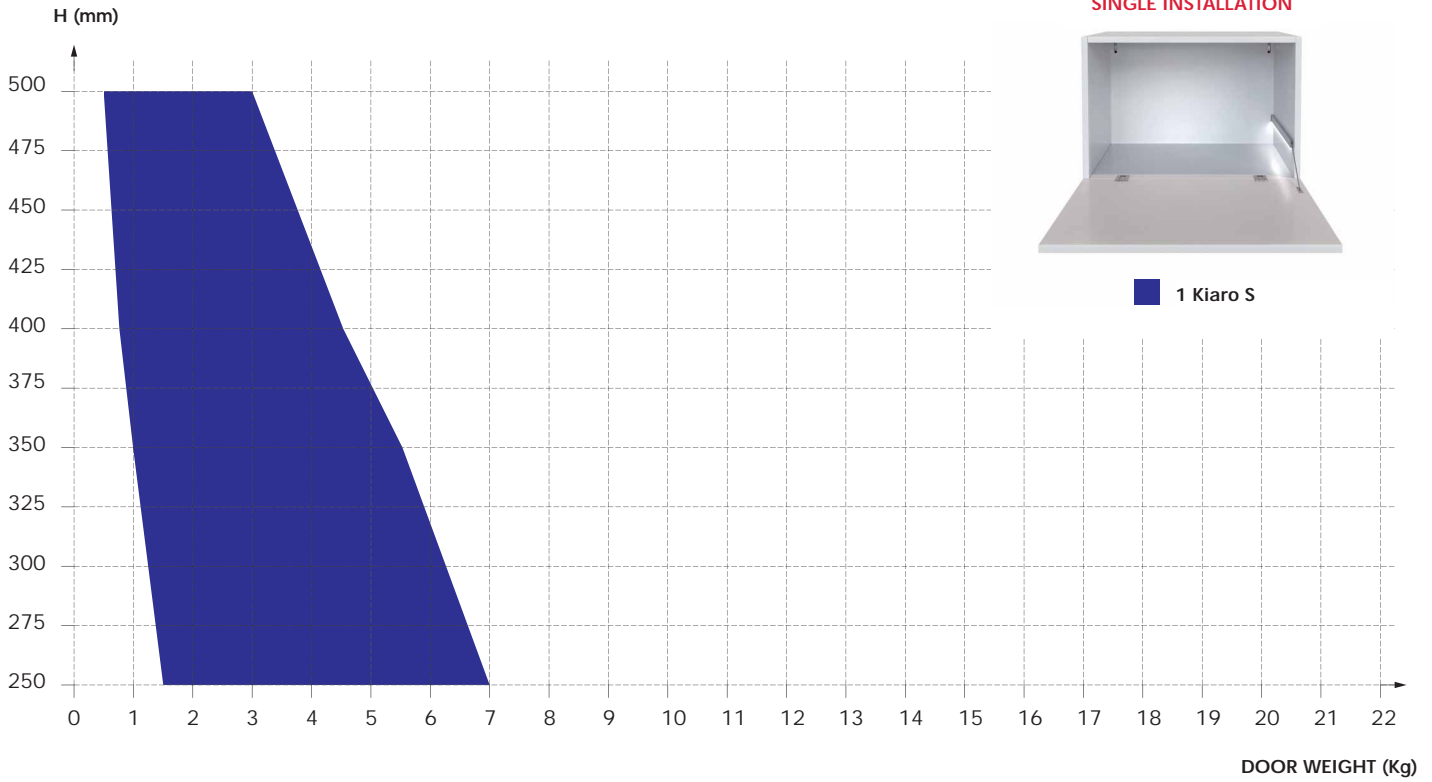
In case the door weight/dimensions are bigger or smaller than those reported on the charts, our technical department is at your disposal to test further cases.



FRICITION OPENING

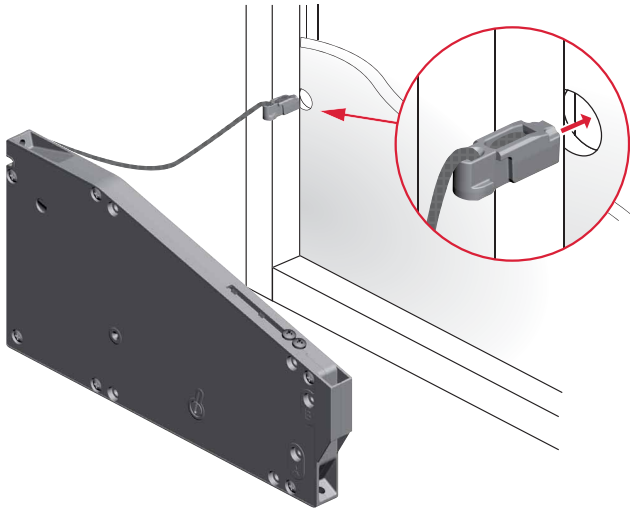


Kg = Door weight including the possible handle.

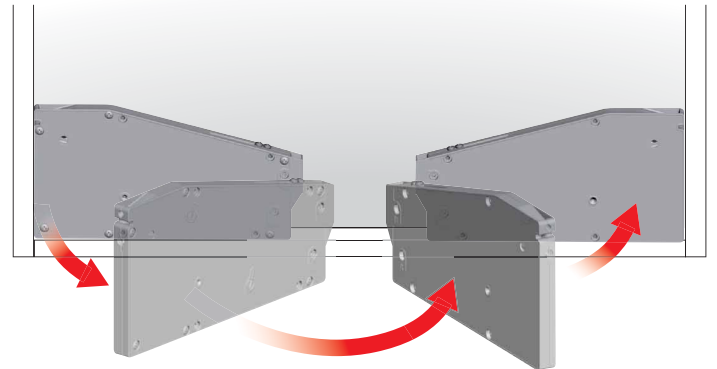




MECHANISM INSTALLATION

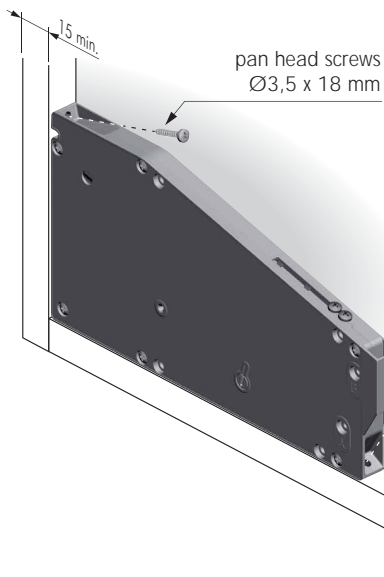


UNHANDLED MECHANISM

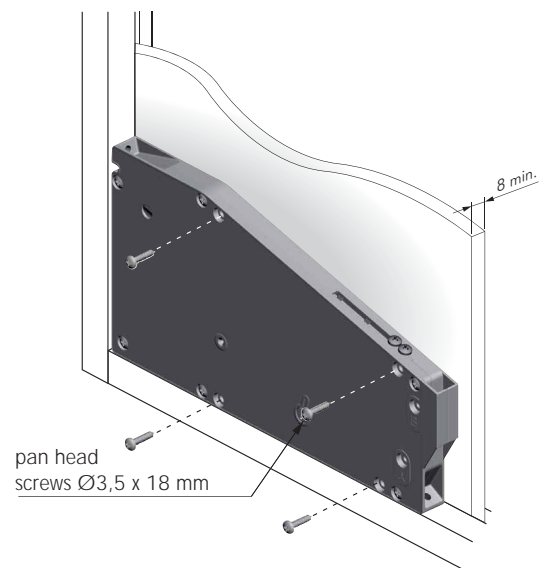


MECHANISM FIXING

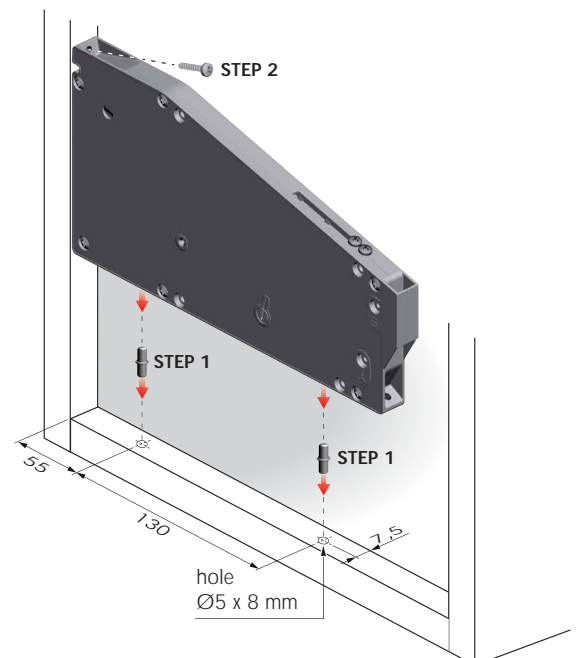
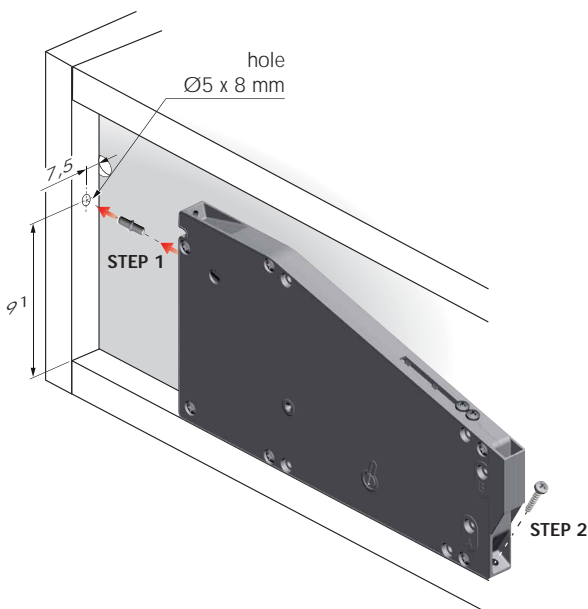
On the bottom and on the side panel with screws



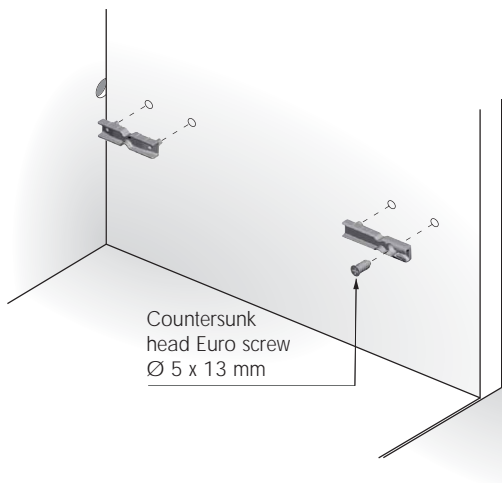
On the back panel with screws



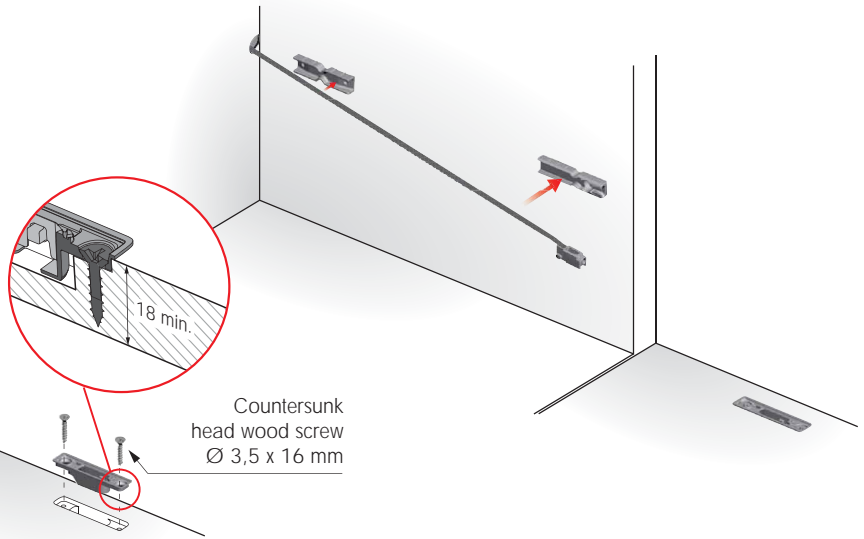
On the bottom and on the side panel with pin and screws



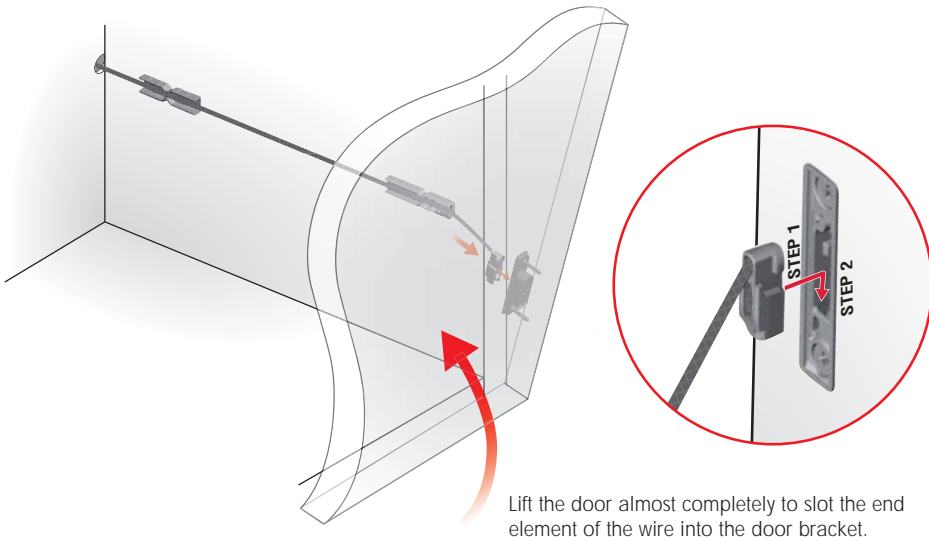
BRACKETS INSTALLATION



WIRE INSTALLATION



WIRE INSERTION ONTO THE DOOR BRACKET



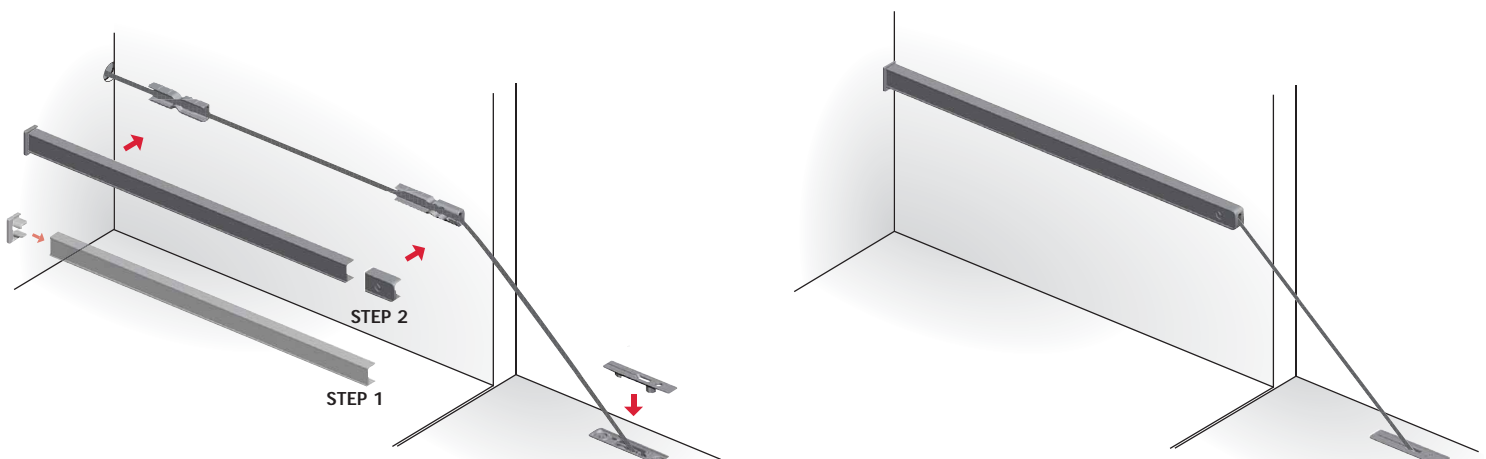
STEP 1



STEP 2



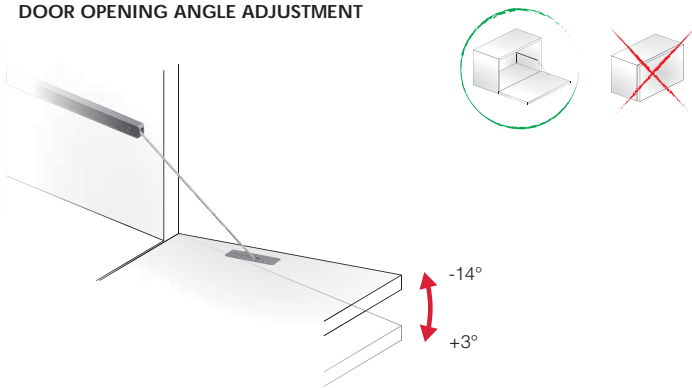
COVER CAP AND ALUMINIUM LATERAL PROFILE INSERTION



Place the cover cap on the door bracket before lifting the door.



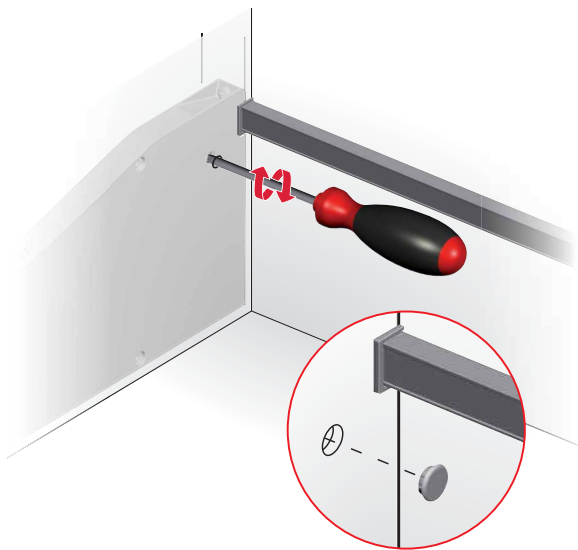
DOOR OPENING ANGLE ADJUSTMENT



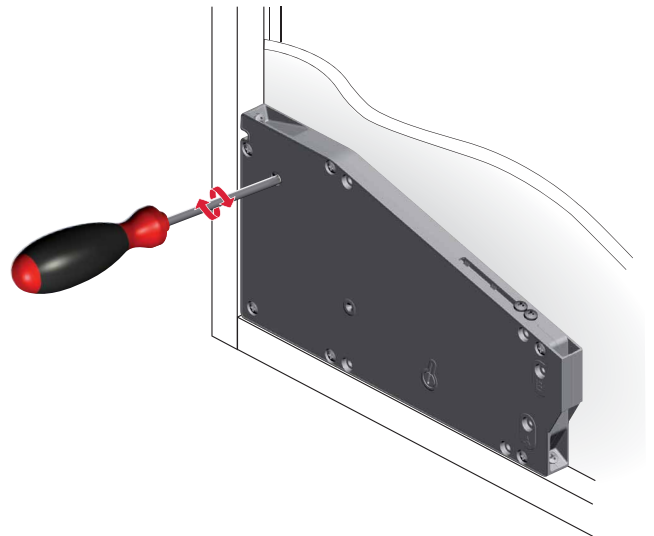
VERY IMPORTANT:

The opening angle adjustment can be carried out only with open door.

FROM THE INSIDE OF THE CABINET



FROM THE BACKSIDE OF THE CABINET



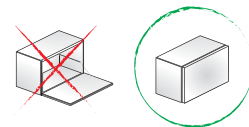
ADJUSTMENT OF STRENGTH SETTINGS

Possibility to adjust the settings of the mechanism also upon completed assembly.
For details refer to the related section.

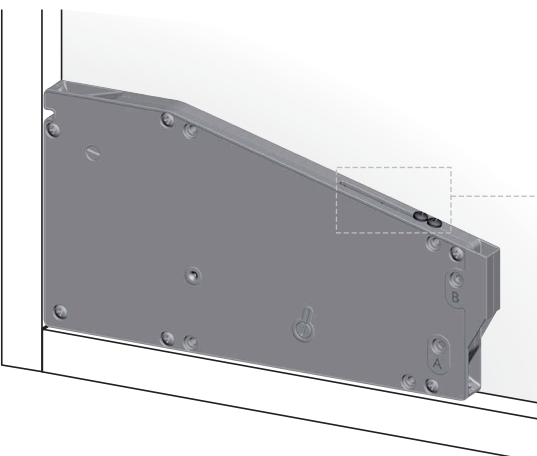
VERY IMPORTANT:

Before proceeding, make sure:

- 1) The door is completely closed.



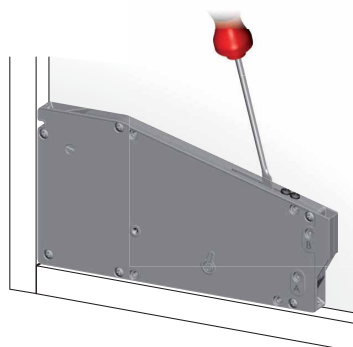
- 2) The mechanism is completely in position.



OK



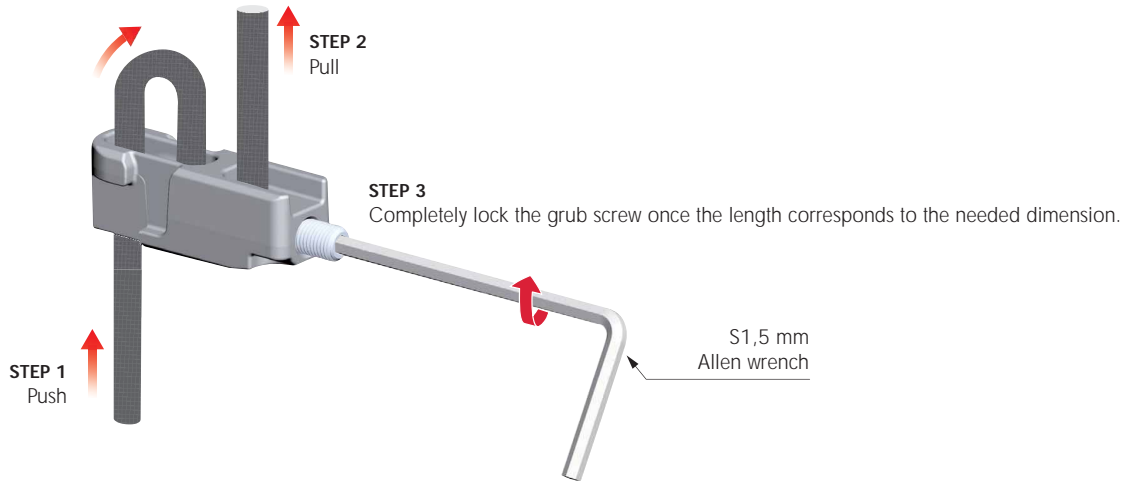
NO



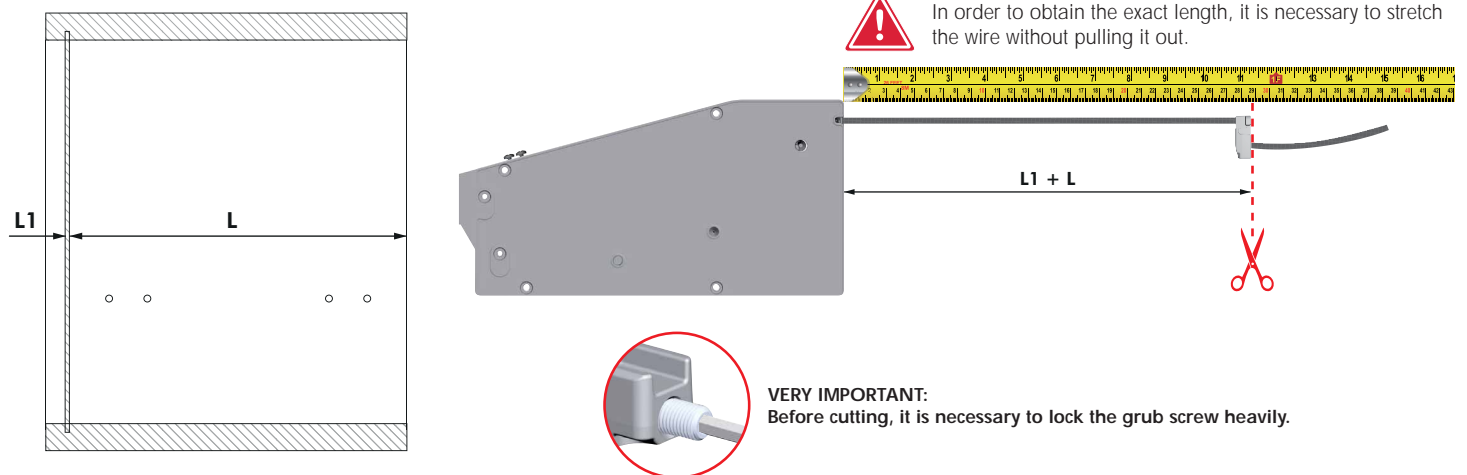
In this case put the small flap in position with a screwdriver.

INSTRUCTIONS FOR WIRE CUTTING

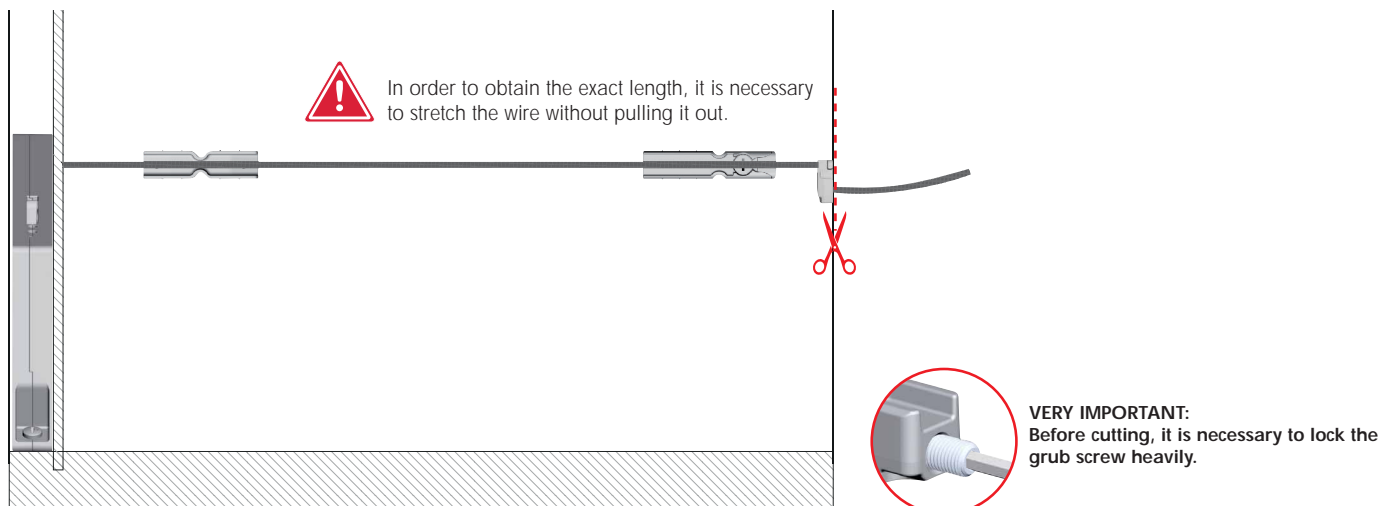
INSERTION OF THE WIRE INTO THE END PART AND LOCKING WITH M3 GRUBSCREW

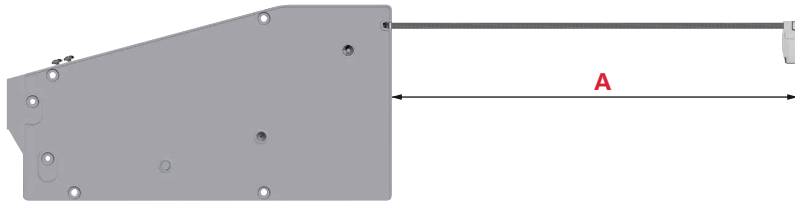
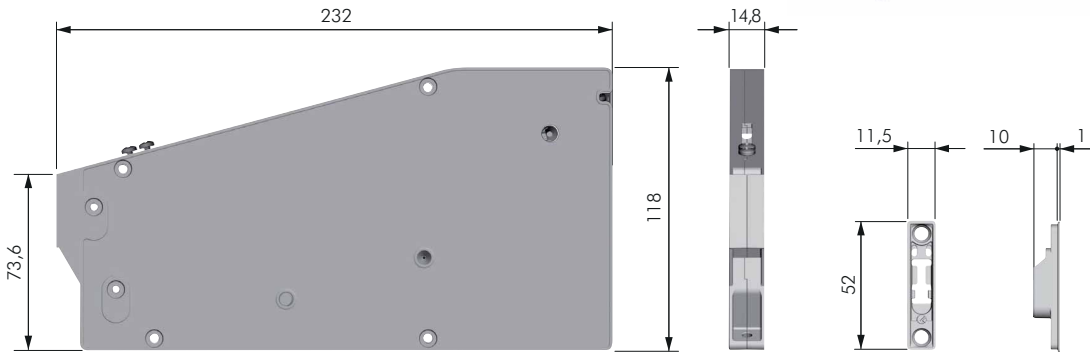
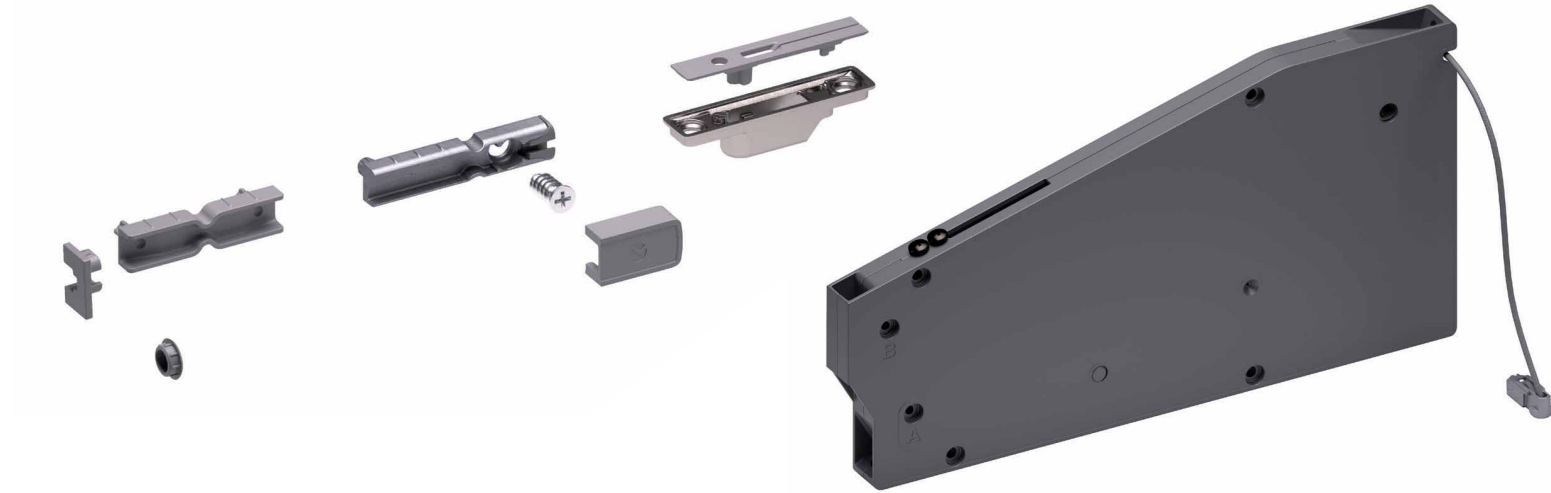


WIRE CUTTING WITH UNMOUNTED MECHANISM



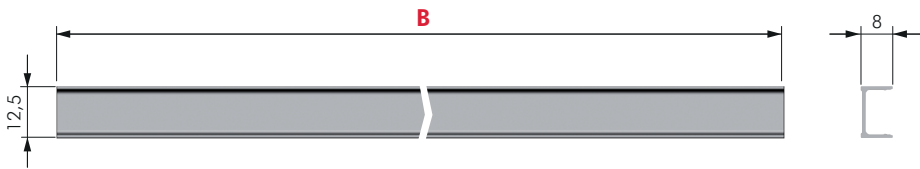
WIRE CUTTING WITH MOUNTED MECHANISM



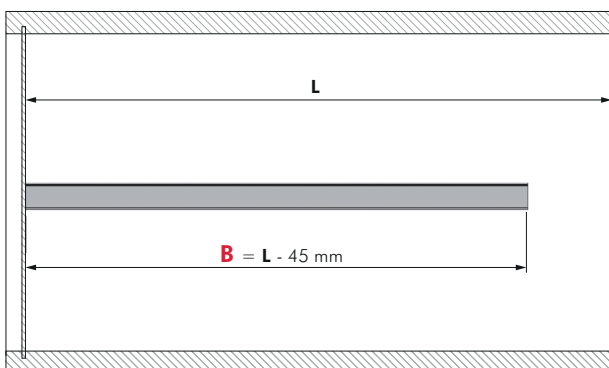


ZA	EP	ST	= 12 pcs.
			A (mm)
KIARO	46006000YA	YQ	600
KIARO S	46106000YA	YQ	

NOTE: Possibility to supply the wire with customized length (A).



CUT TO SIZE RULE:



AL	= 12 pcs.		
			B (mm)
46205500UT	FV		550

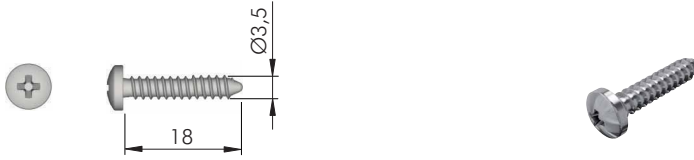
NOTE: Possibility to supply the aluminium profile with customized length (B).

Finishes matching between cover caps and alu. profiles:

YA → UT
YQ → FV



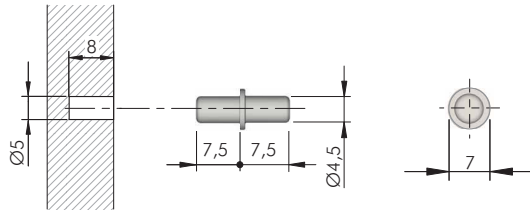
ACCESSORIES FOR MECHANISM FIXING



= Ø 3 mm
 = PZ2
 = 10.000 pcs.



60103150ZN



= Ø 5 mm
 = 5.000 pcs.



10101010ZN



ACCESSORY FOR DOOR BRACKET FIXING



= Ø 3 mm
 = PZ2
 = 10.000 pcs.



60101390ZN



ACCESSORY FOR LOCKING THE GRUB SCREW



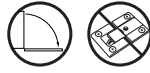
= S 1,5 mm
 = 1.000 pcs.



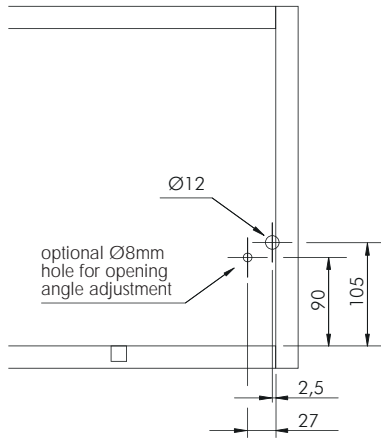
62501050ZN



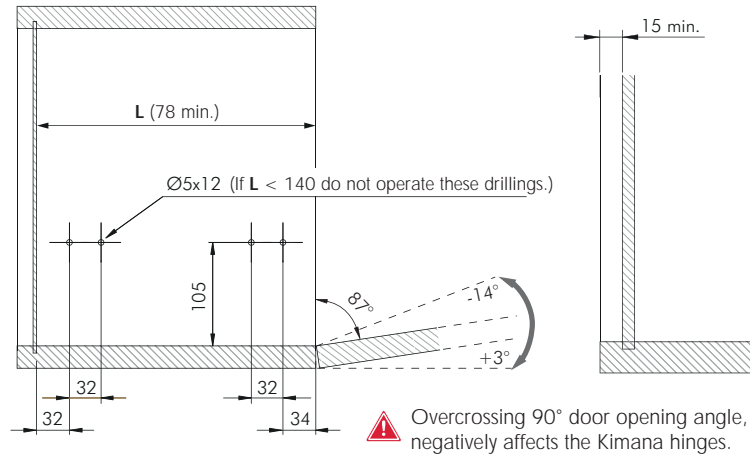
KIARO WITH KIMANA HINGE



BACK-PANEL DRILLING OPERATIONS



SIDE-PANEL DRILLING OPERATIONS

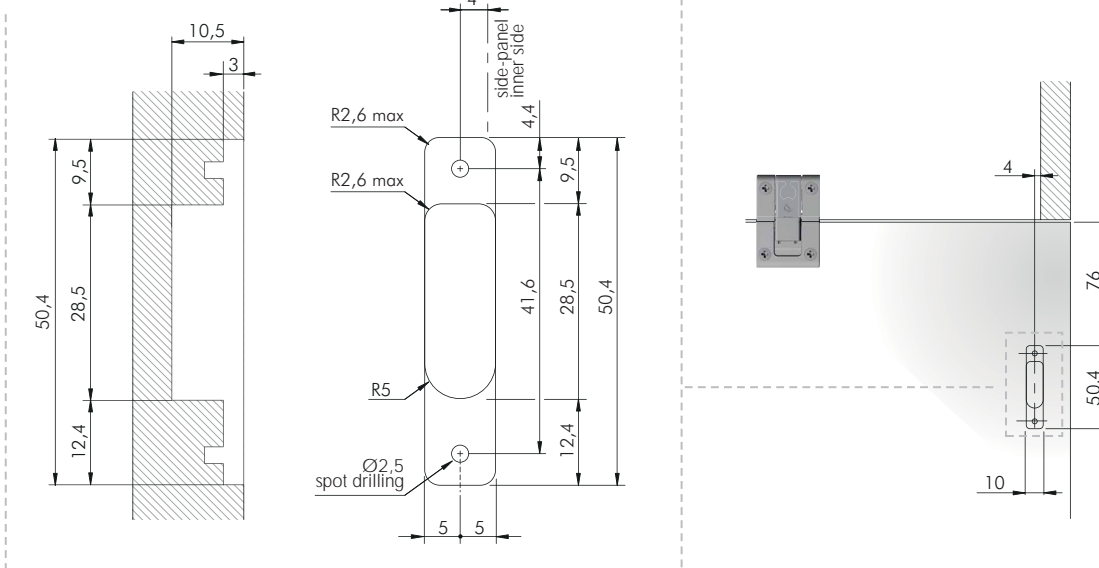


! Overcrossing 90° door opening angle, negatively affects the Kimana hinges.



In case of door without handles it is recommended to use **K Push Tech with buffer**.

DOOR PANEL DRILLING OPERATIONS



KIARO WITH STANDARD UNSPRUNG HINGES



In case other hinges than KIMANA are used, it is necessary to contact an authorized dealer for a correct drilling scheme. For this purpose, use the form on the Italiana Ferramenta website (product KIARO) to provide the required specifications.

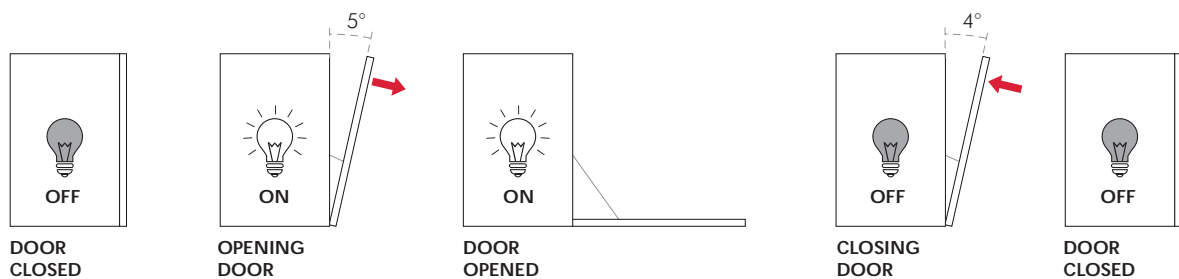
KIARO LED



The mechanism can be supplied with an integrated device operating as an on-off switch for the internal light, coordinated with the door opening and closing, adding a homely ambiance and a touch of luxury.

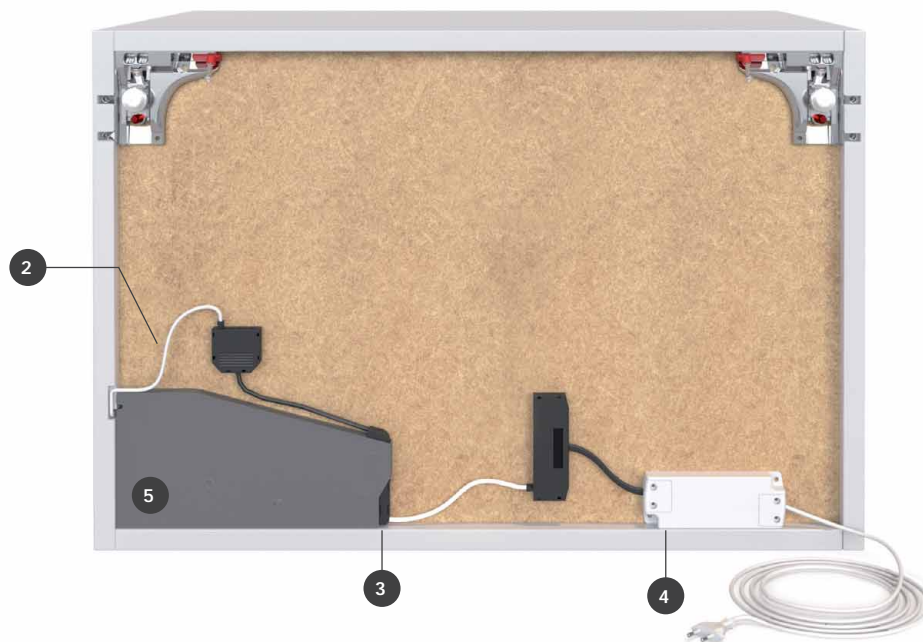
The lighting device of KIARO is to be installed on the concealed mechanism and can work either for the lateral profile with integrated LED strip or for other lighting appliances placed inside the cabinet.

Thanks to this bespoke device, it is no longer required to make special drilling operations to install visible opening detectors.





COMPONENTS FOR APPLICATIONS WITH 1 KIARO LED



1 1 x KIARO LED ALUMINIUM PROFILE
1 x COVER CAPS SET

2 1 X LED FLEXIBLE STRIP

3 1 X SENSOR FOR KIARO LED

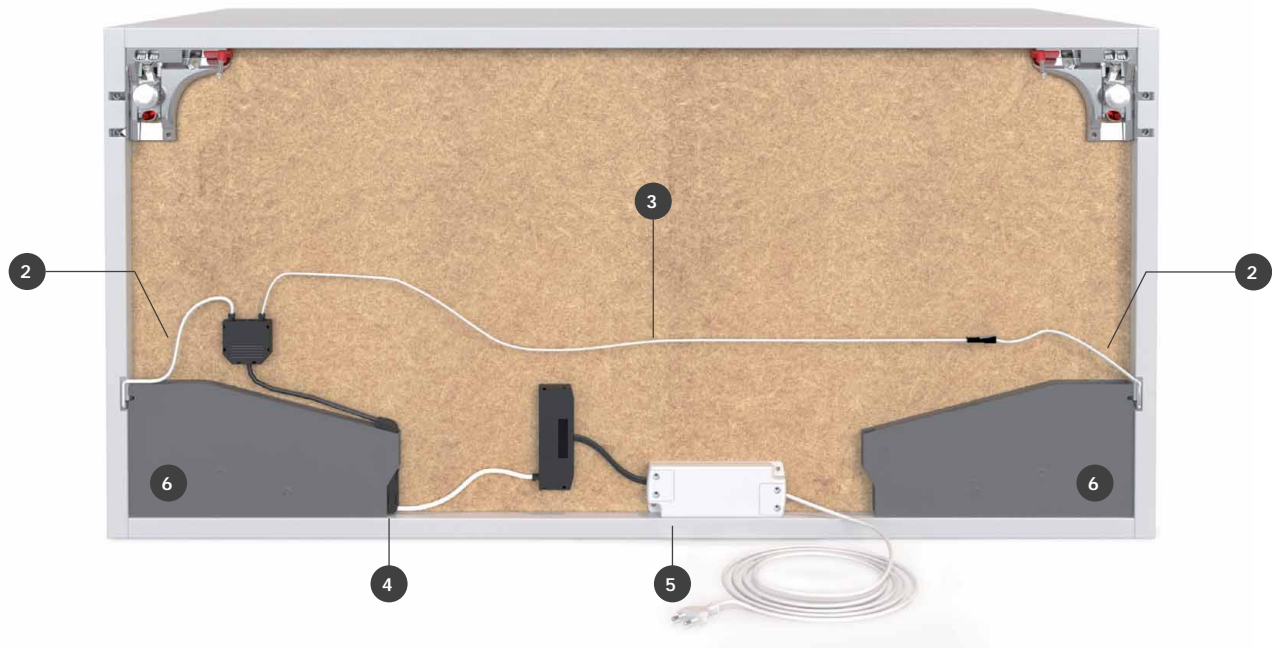
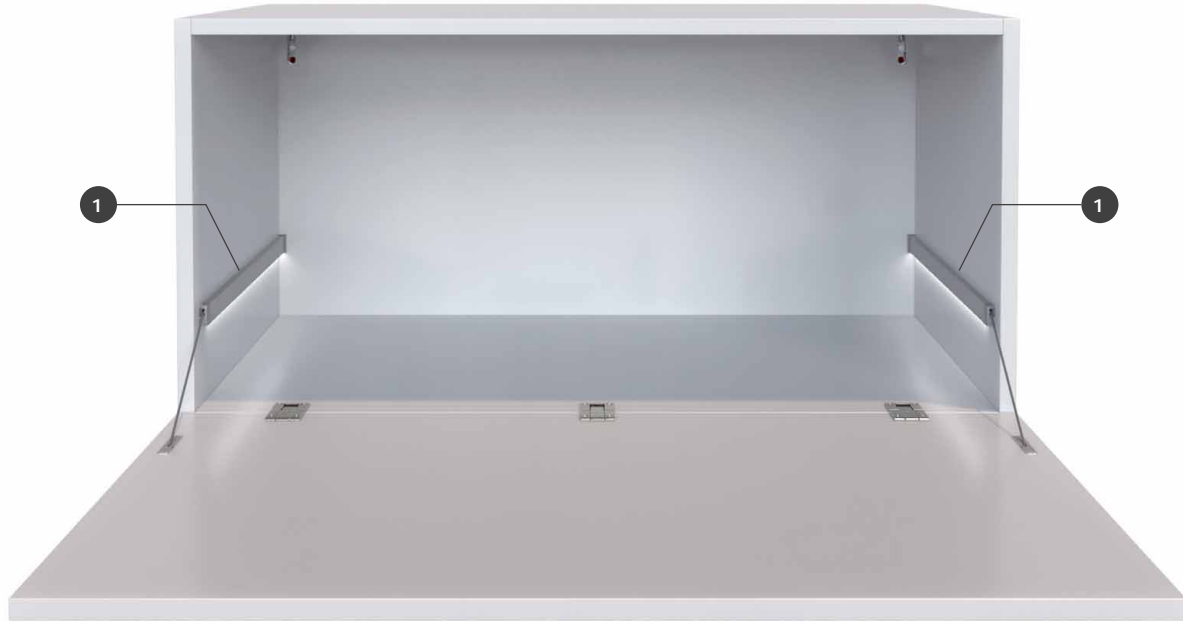
4 1 X CHARGER

5 KIT MECHANISM KIARO or KIARO S (with door brackets)



For the correct mechanism settings please refer to the dedicated section.

COMPONENTS FOR APPLICATIONS WITH 2 KIARO LED



1 2 x KIARO LED ALUMINIUM PROFILE
1 x COVER CAPS SET

2 2 x LED FLEXIBLE STRIP

3 1 x EXTENSION CABLE

4 1 x SENSOR FOR KIARO LED

5 1 x CHARGER

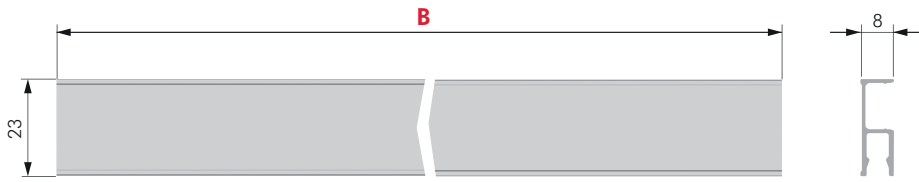
6 KIT MECHANISM **KIARO** or **KIARO S** (with door brackets)



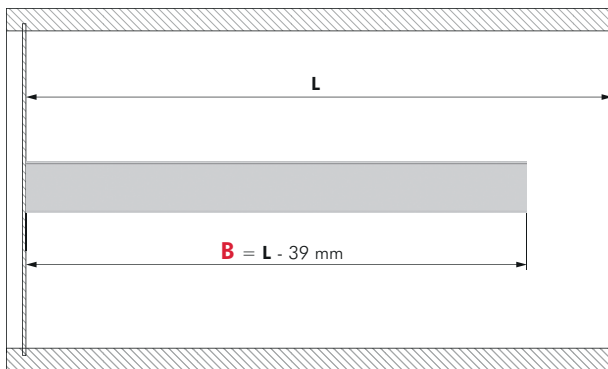
For the correct mechanism settings please refer to the dedicated section.



KIARO LED ALUMINIUM PROFILE



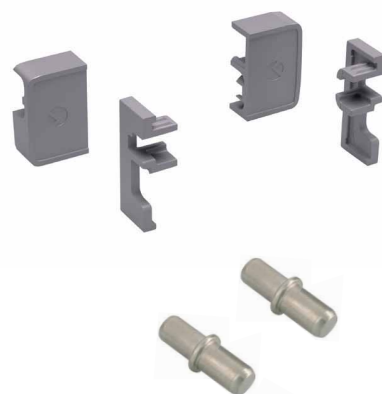
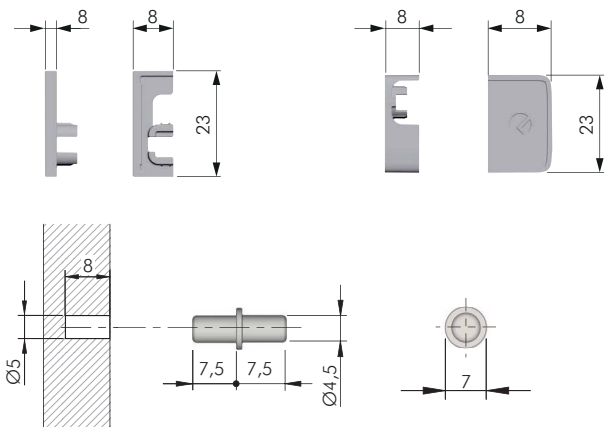
CUT TO SIZE RULE:



AL	= 12 pcs.
123	B (mm)
46505500UT	FV 550

NOTE: Possibility to supply the aluminium profile with customized length (B).

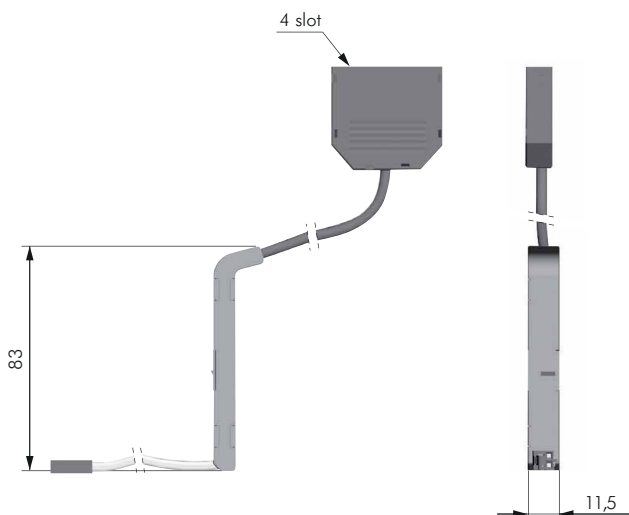
COVER CAPS SET



EP	= 1 pc.
123	EE
46303140EW	

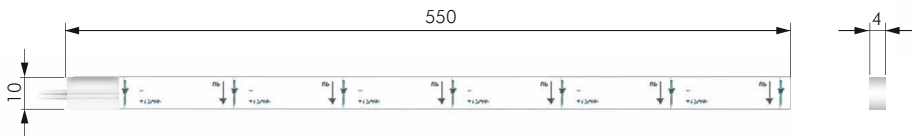
NOTE: Finishes matching between cover caps and alu. profiles:
EW → UT
EE → FV




SENSOR FOR KIARO LED



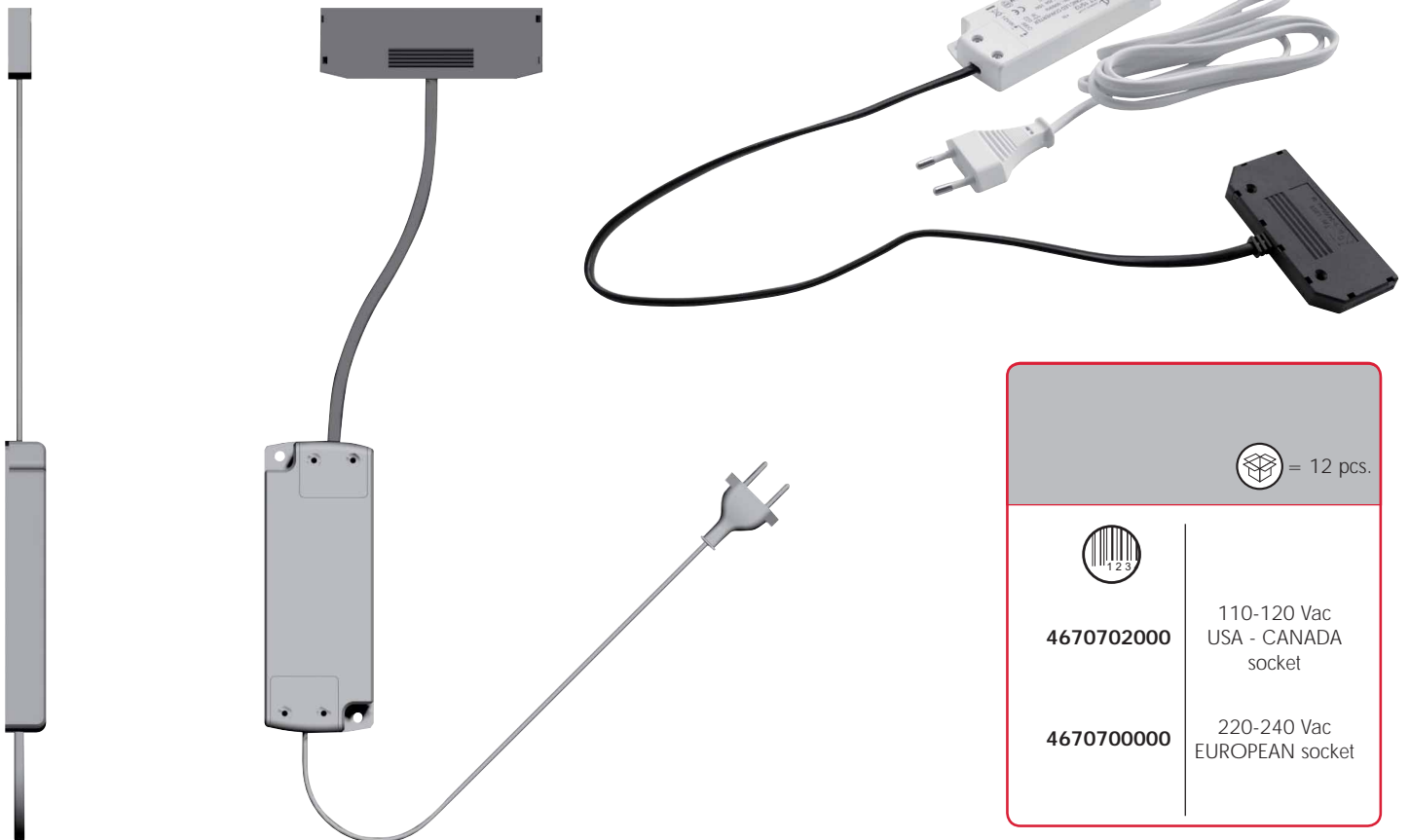
Maximum output: 30 Watt with light 12Vdc 60 Watt with light 24Vdc	
123	= 12 pcs.
4670600000	



LED FLEXIBLE STRIP



 = 12 pcs.	
 46601000AB	 LED Colour temperature 4000 K

CHARGER



 = 12 pcs.	
 4670702000	110-120 Vac USA - CANADA socket
4670700000	220-240 Vac EUROPEAN socket


The chargers images shown here are for illustrative purposes only.



EXTENSION CABLE



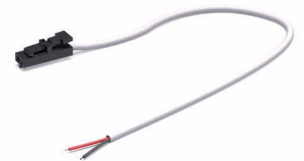
Length: 2000 mm

 = 12 pcs.




4670601000

CUSTOMER LIGHTING CONNECTORS



Length: 150 mm

Male connector

 = 12 pcs.




4670602000



Length: 150 mm

Female connector

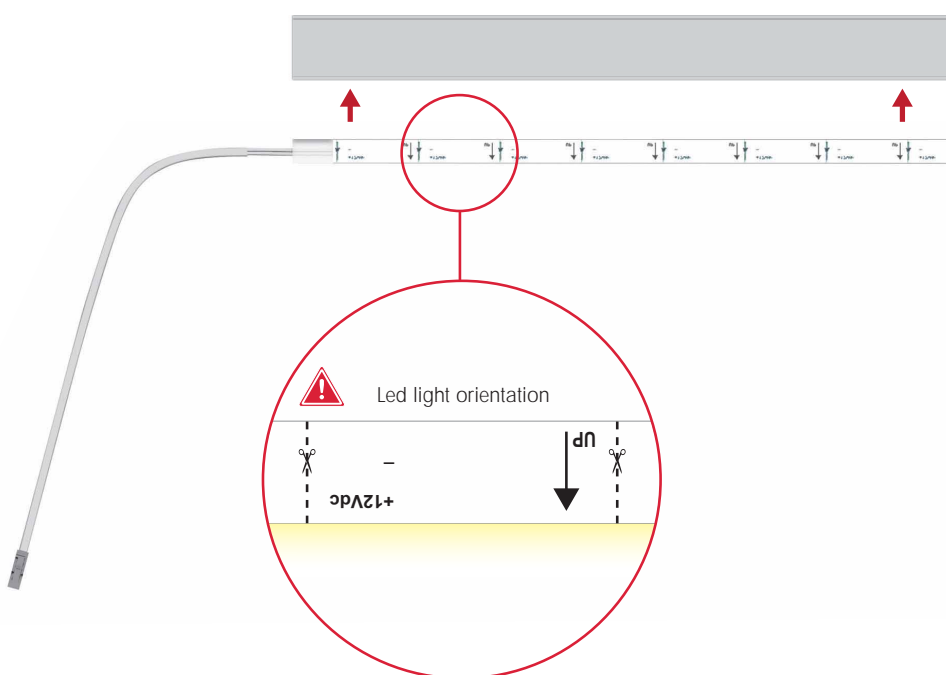
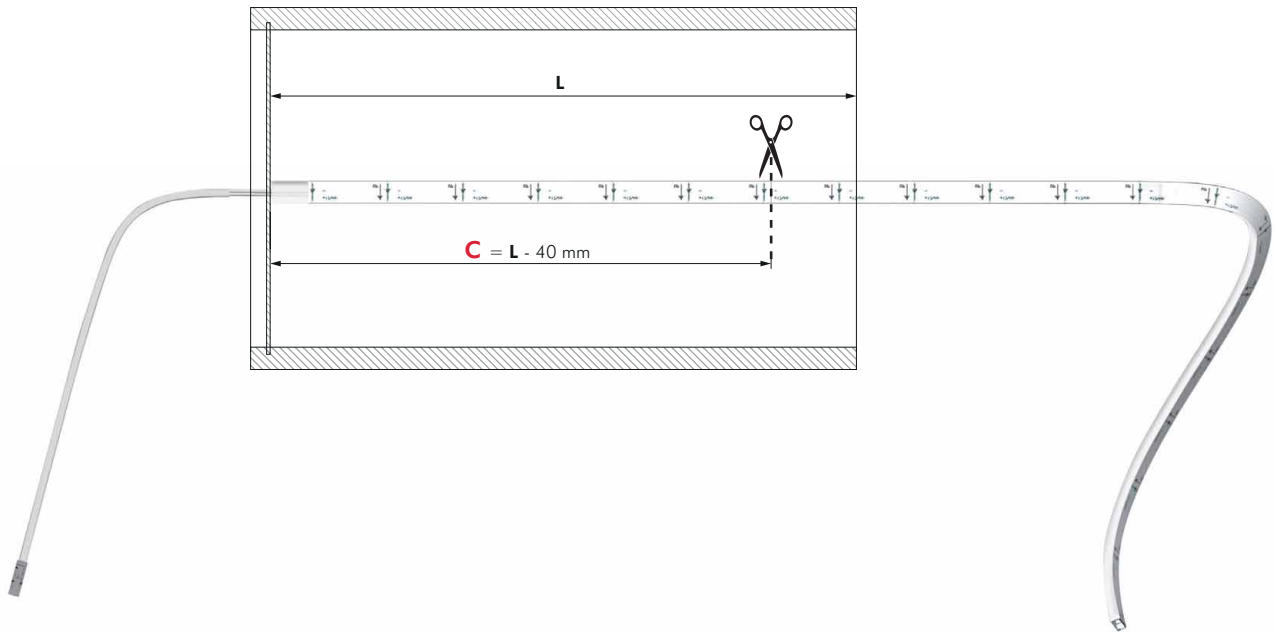
 = 12 pcs.



4670603000

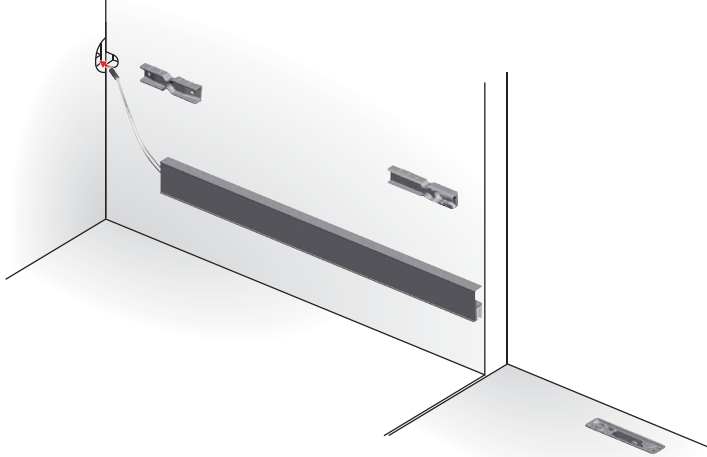
KIARO LED INSTALLATION

HOW TO CUT ON SIZE AND INSTALL THE LED FLEXIBLE STRIP.

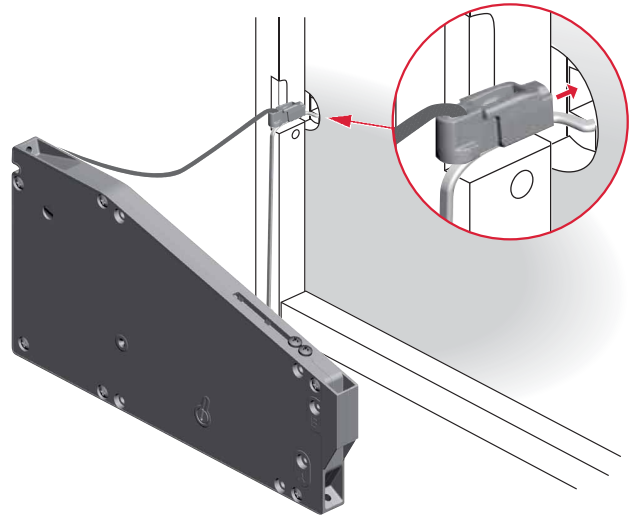




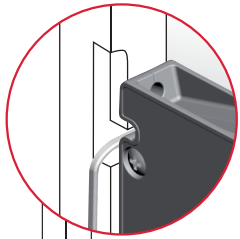
LED STRIP ELECTRICAL WIRE INSERTION THROUGH THE BACKSIDE HOLE



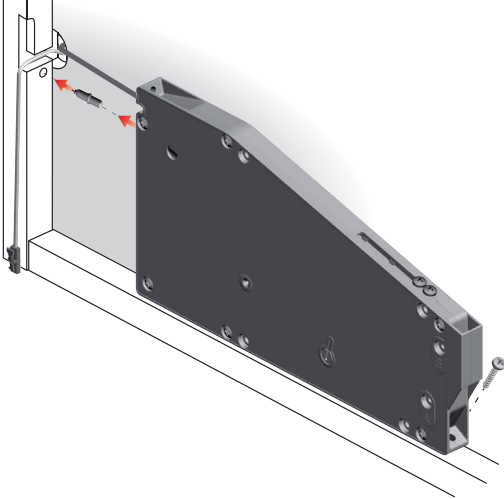
MECHANISM INSTALLATION



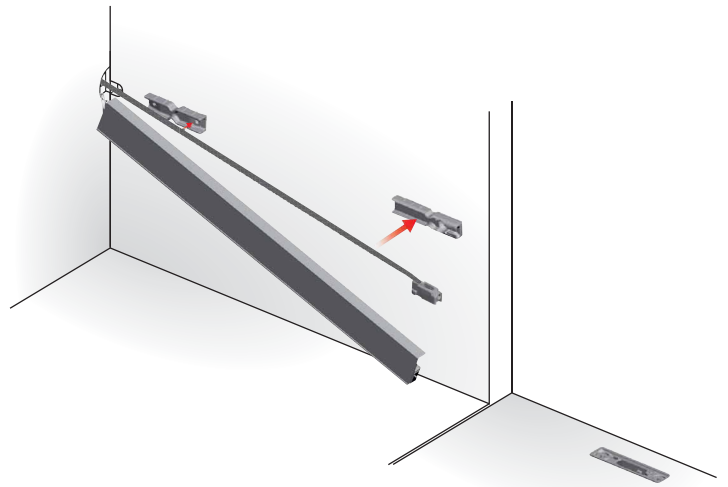
MECHANISM FIXING



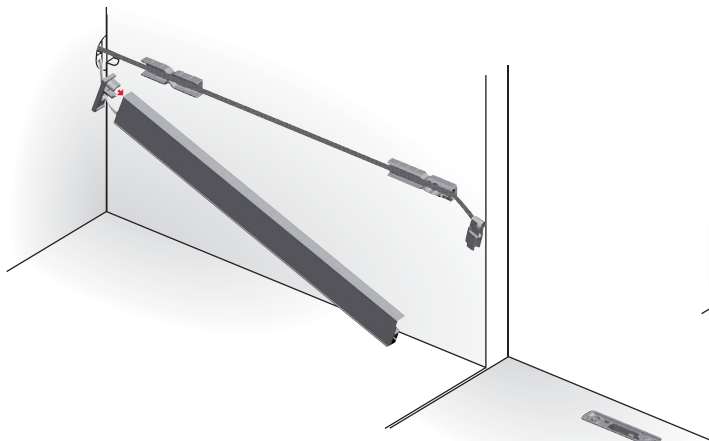
Pull the power cable of the led strip through the drilling spot on the cabinet side, before fixing the main mechanism.



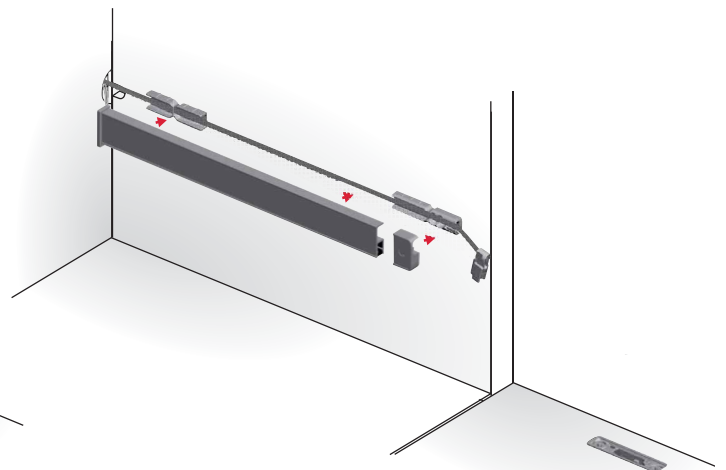
WIRE INSTALLATION



INSERTION OF THE BACKSIDE COVER FOR ALU. PROFILE

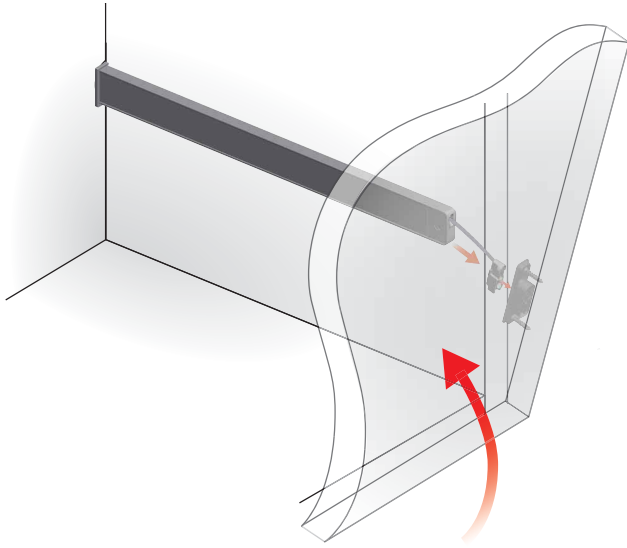


COVER CAPS AND ALUMINIUM LATERAL PROFILE INSERTION

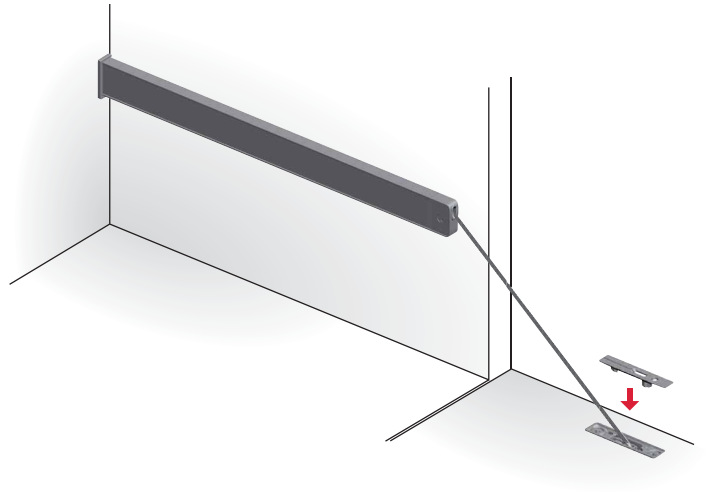




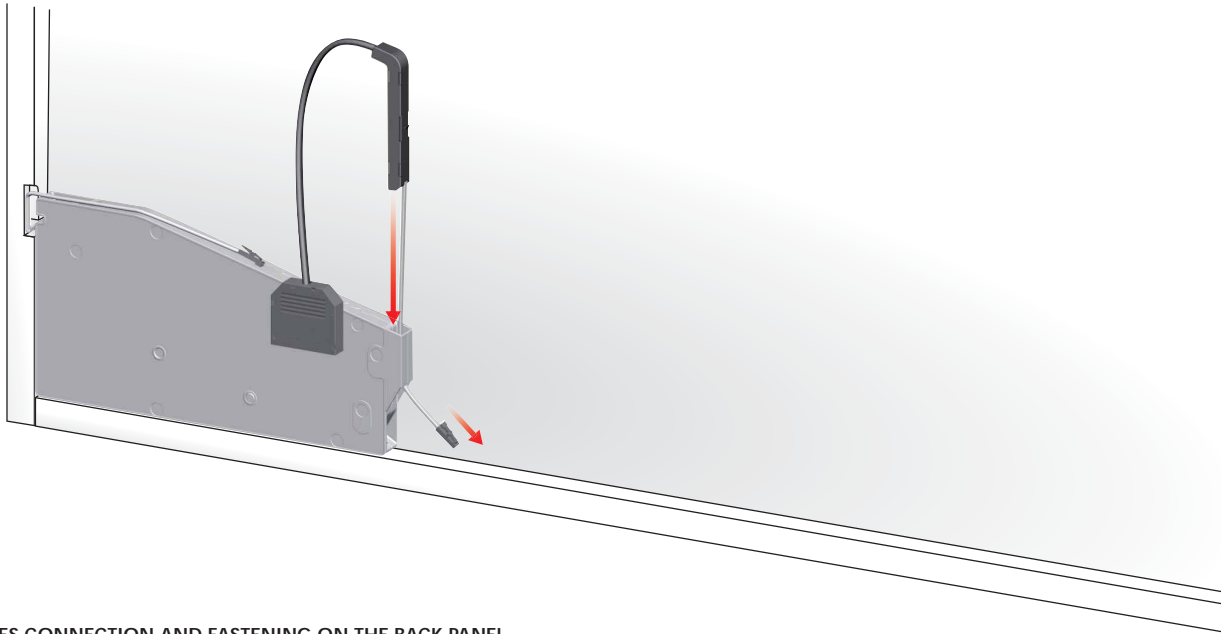
WIRE INSERTION ONTO THE DOOR BRACKET



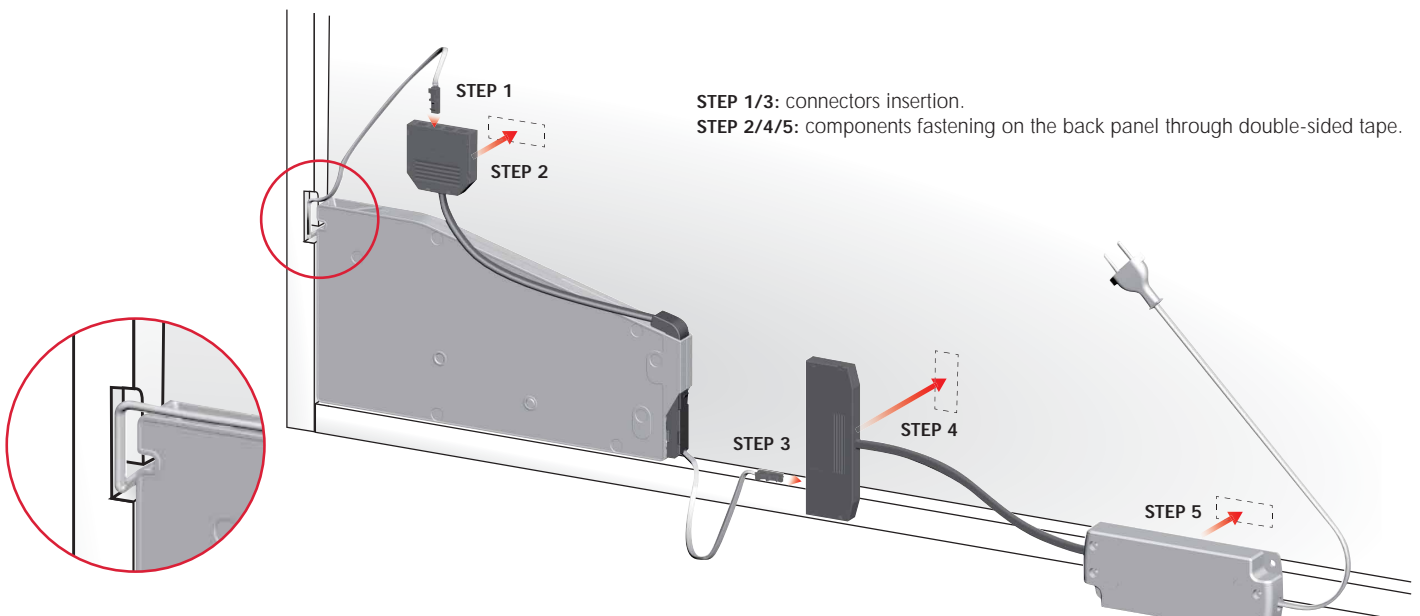
COVER CAP FOR DOOR BRACKET INSERTION



SENSOR INSTALLATION

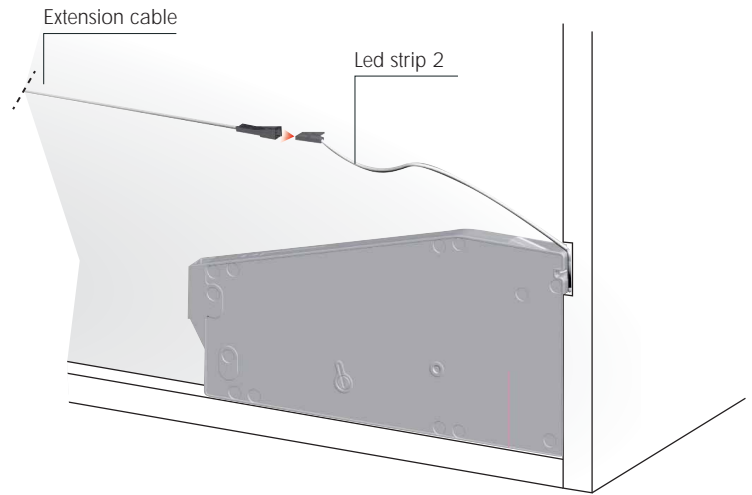
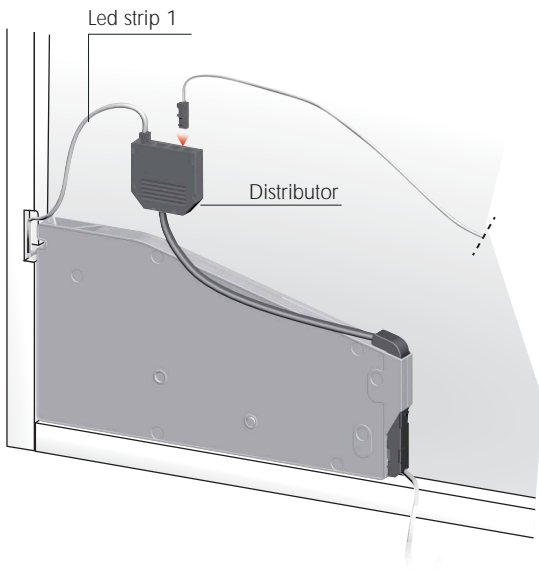


DEVICES CONNECTION AND FASTENING ON THE BACK PANEL.

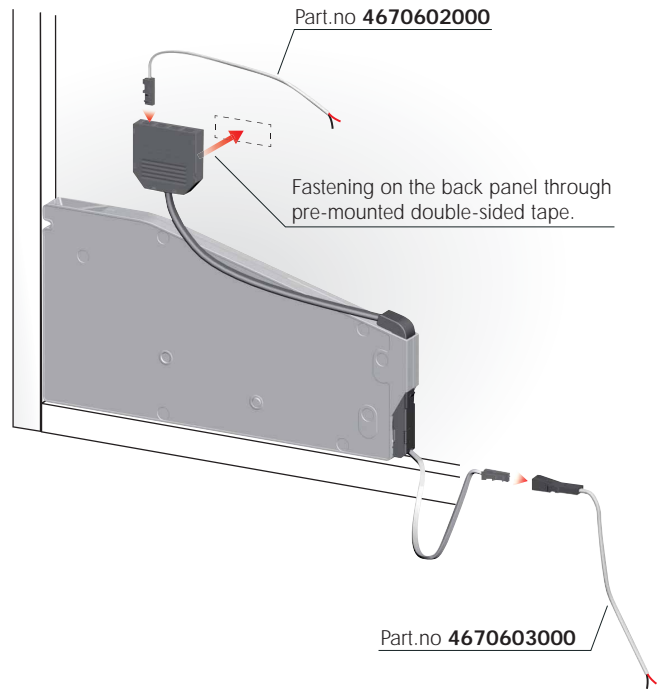
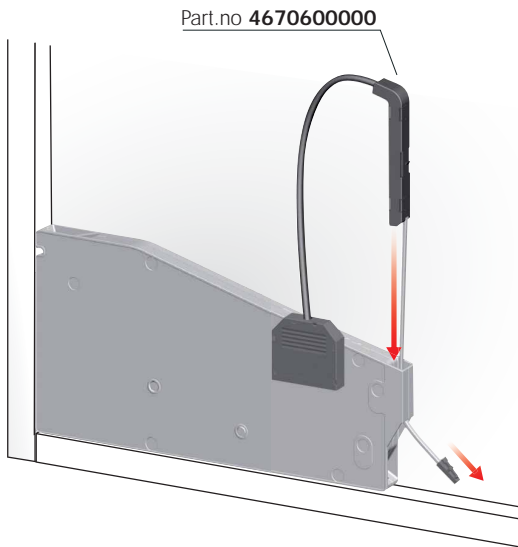




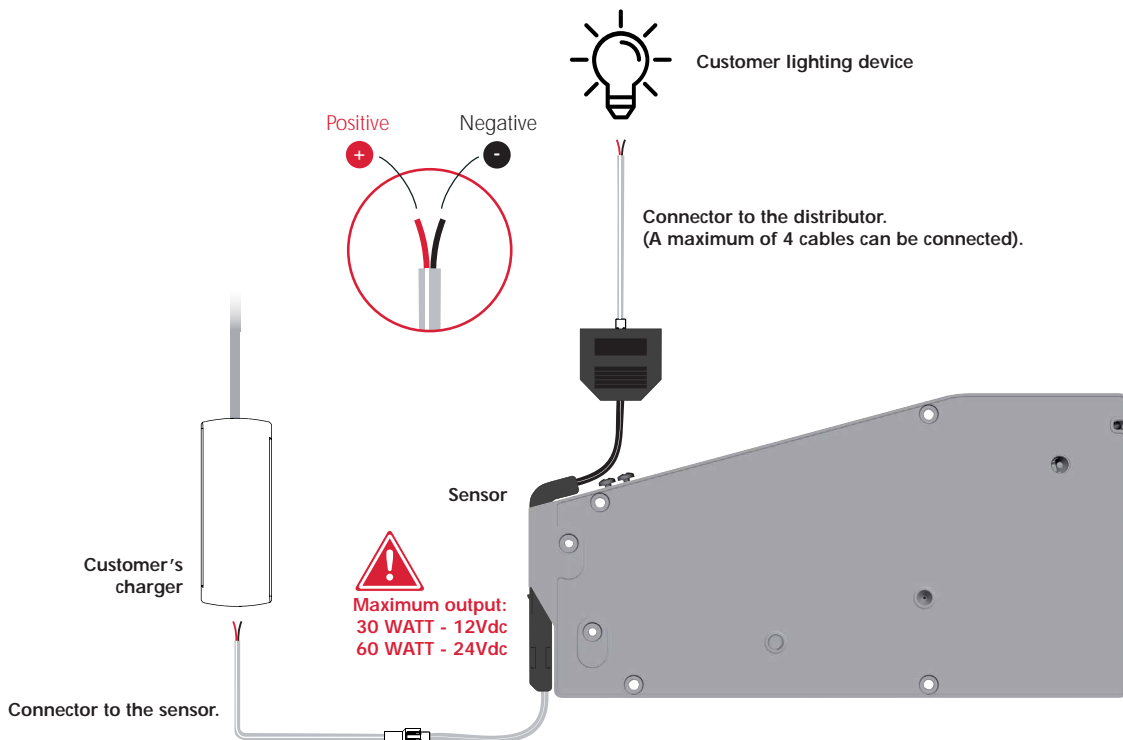
EXTENSION CABLE CONNECTION WITH LED STRIP CONNECTORS



KIARO WIRING DIAGRAM FOR CUSTOMER LIGHTING

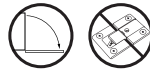


Each door must be connected to only one sensor, no matter how many mechanism are installed.

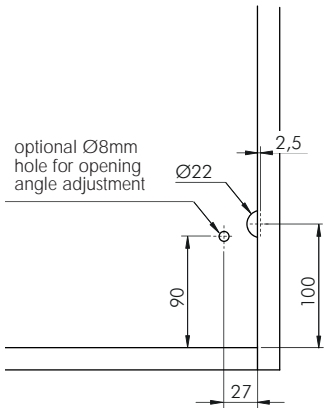




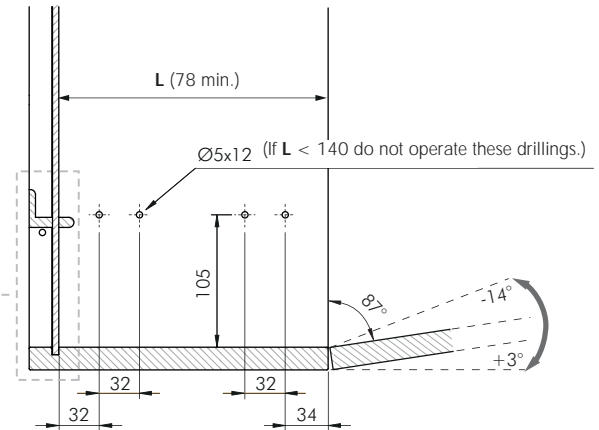
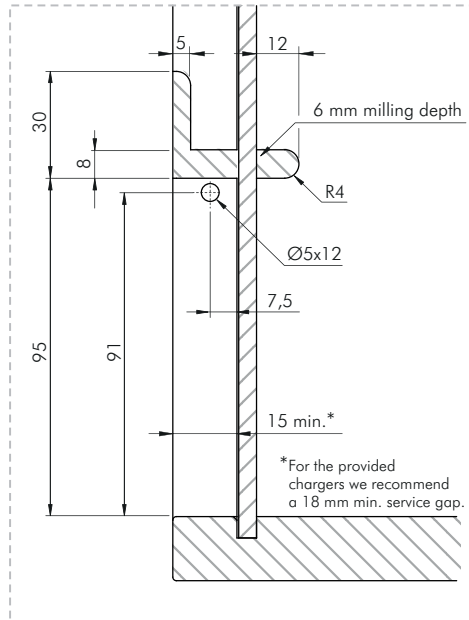
KIARO LED WITH KIMANA HINGE



BACK-PANEL DRILLING OPERATIONS



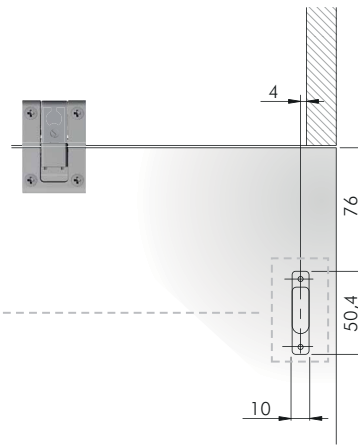
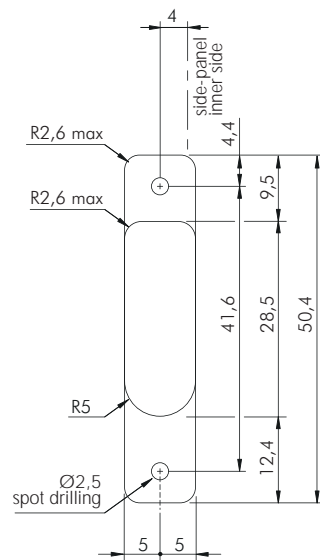
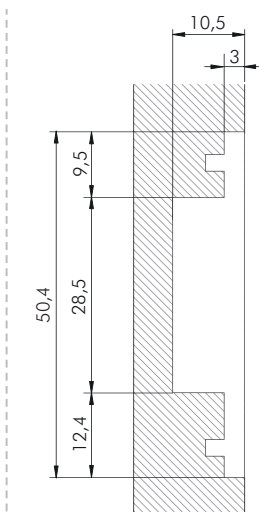
SIDE-PANEL DRILLING OPERATIONS



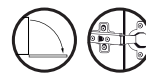
⚠ Overcrossing 90° door opening angle, negatively affects the Kimana hinges.

In case of door without handles it is recommended to use K Push Tech with buffer.

DOOR PANEL DRILLING OPERATIONS



KIARO LED WITH STANDARD UNSPRUNG HINGES



In case other hinges than KIMANA are used, it is necessary to contact an authorized dealer for a correct drilling scheme. For this purpose, use the form on the Italiana Ferramenta website (product KIARO) to provide the required specifications.

OTHER APPLICATIONS OF KIARO

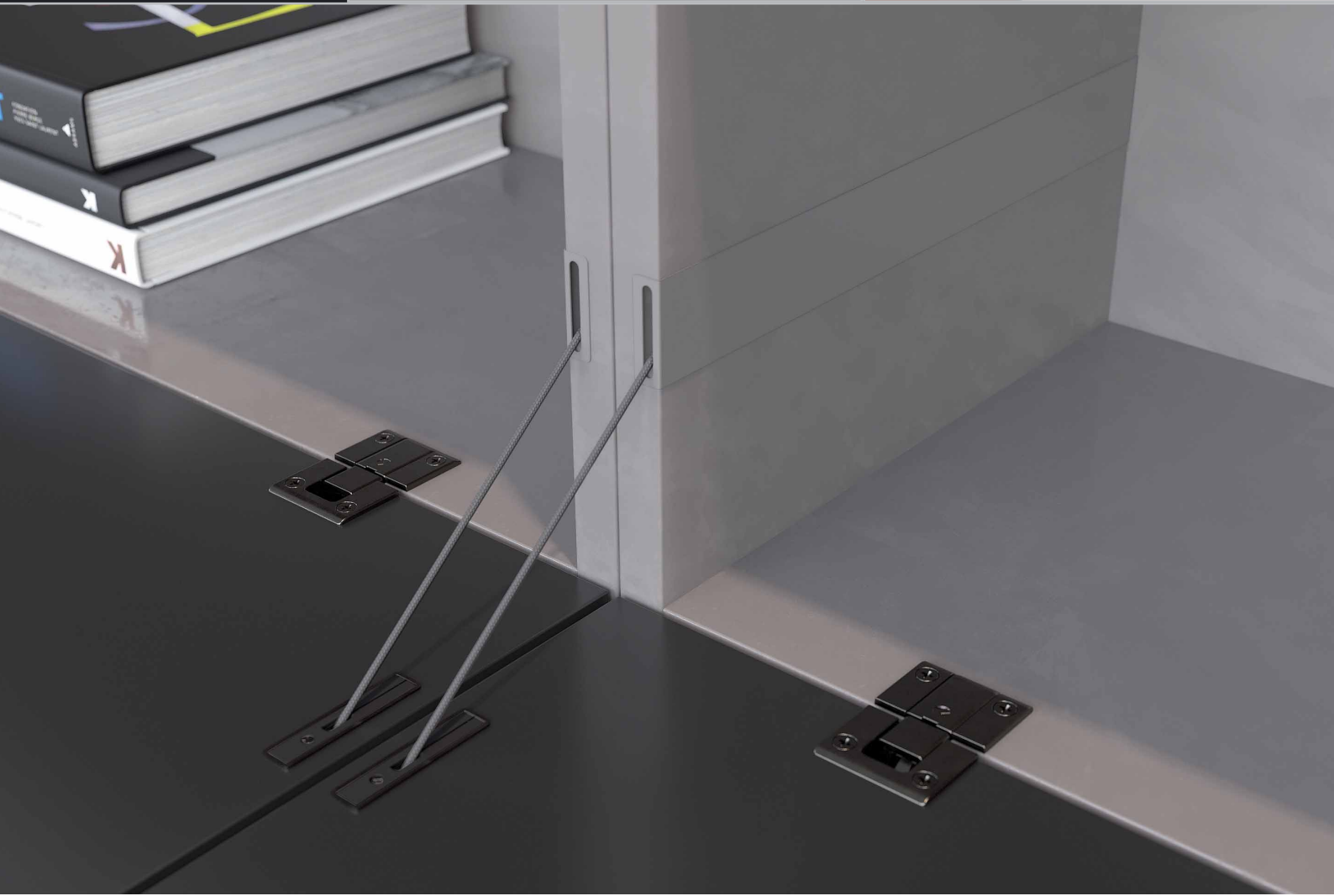
Door bracket for screw fixing, without milling on the door



Door bracket for aluminium doors



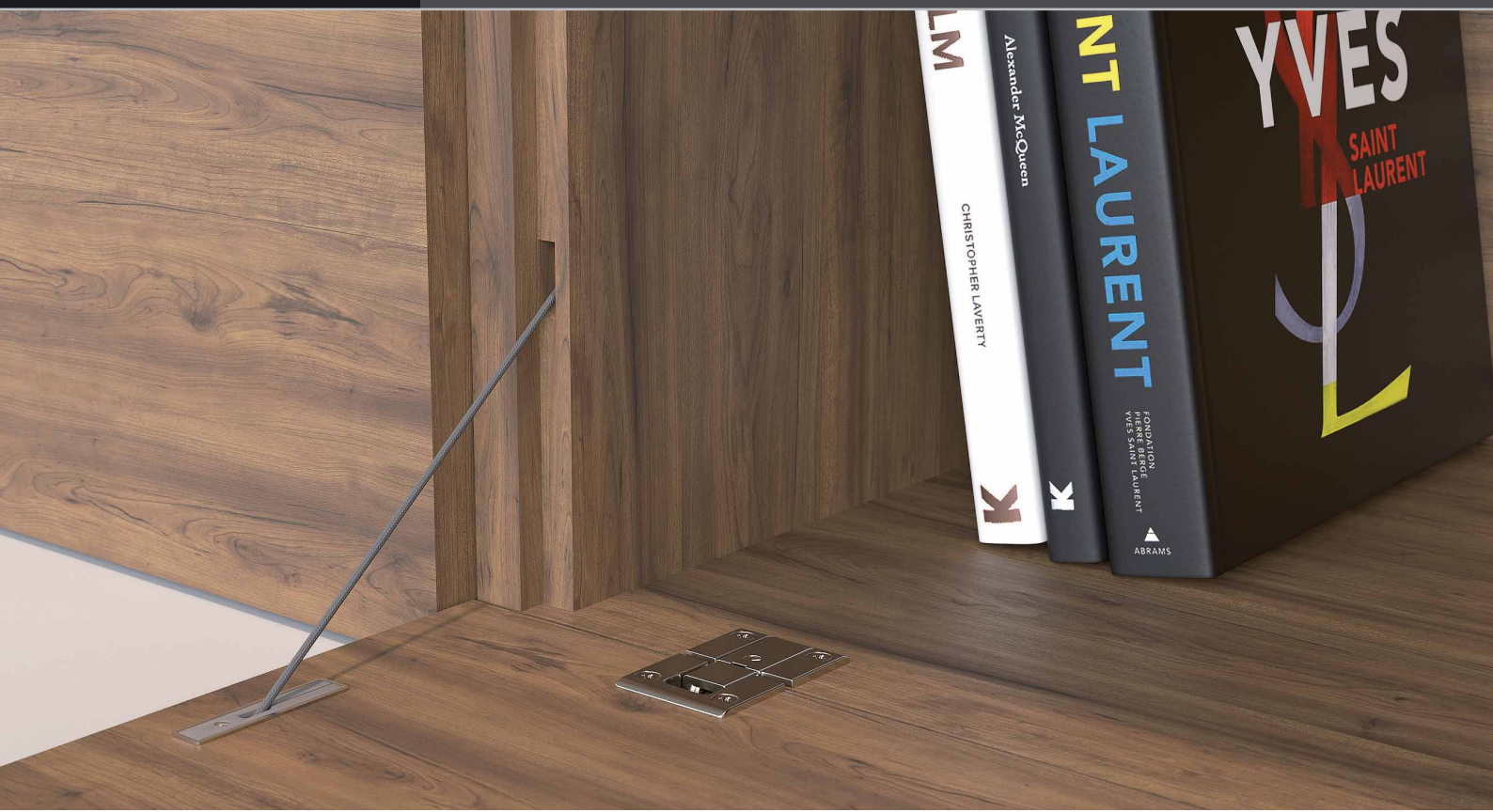
Kiaro Skin

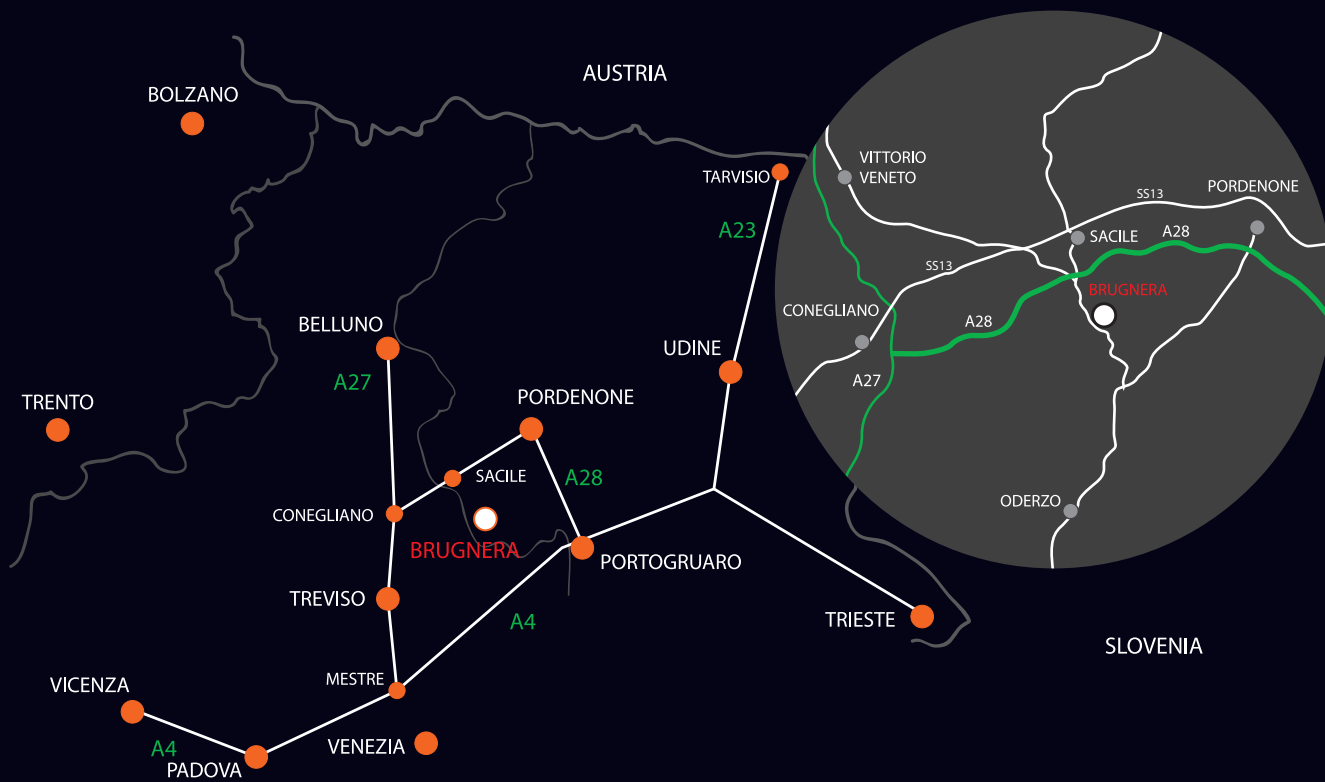


Kiaro Fox



Kiaro Deck





www.italianaferramenta.com