

 **ITALIANA**[®]
f e r r a m e n t a



APC 6



HANGERS





SYMBOLS AND FINISHES LEGEND

SYMBOLS



= SHELF SAFELY LOCKED DURING TRANSPORTATION AND AT HOME.



= ANTI-TURNOVER LOCKING SYSTEM



= NORMS / PATENTS



= PHILLIPS / POZIDRIV



= NEWTON



= PART.NO



= HEXAGONAL SOCKET



= FRICTION



= PCS. PER PACKAGE



= BLADE SLOT



= AUTOMATIC



= COMBI SLOT



= DROP DOWN



= CAPACITY LOADING



= COUNTERSUNK HEAD



= WOOD / GLASS THICKNESS



= PAN HEAD



= STANDARD HINGE



= HOLE DIAMETER



= FLANGE HEAD



= KIMANA HINGE



= DIAMETER



= FLAT HEAD



= FLAP HINGE



= LENGTH



= TRILOBULAR SCREW



= WITH SPRING



= HEIGHT



= SELF-TAPPING SCREW



= WITHOUT SPRING



= RIGHT VERSION



= EURO THREAD



= REVERSED SPRING



= LEFT VERSION



= METRIC THREAD



= SETTING CODE



= PRE-INSERTED SCREW



= FOR ROUND TUBE



= PCS. PER PAD



= PRE-INSERTED SCREW AND SPREADING BUSH



= FOR OVAL TUBE



= CUT ON REQUEST



= WITH BUFFER



= SELF ADHESIVE



= WITH MAGNET



= WITH FLANGE

NOTE: Printing errors and omissions may exist despite our best efforts to ensure accuracy. We reserve the right to alter specifications without notice.

MATERIALS

ZA = Zinc Alloy	ST = Steel	HSS = High Speed Steel	BR = Brass	ABS = Acrylonitrile Butadiene Styrene
ZAnk = Nickel-plated Zinc Alloy	STzk = Zinc-plated Steel	AL = Aluminium	WD = Wood	EVA = Ethylene Vinyl Acetate

EP = ENGINEERING PLASTIC	+ EP = other engineering plastic available on request	SR = SOFT RUBBER	+ SR = other soft rubber available on request
--	--	--------------------------------	--

EPn = Natural Engineering Plastic	EPc = Clear Engineering Plastic	SRn = Natural Soft Rubber
EPw = White Engineering Plastic	EPg = Grey Engineering Plastic	SRw = White Soft Rubber
EPwg = Water Green Engineering Plastic		SRb = Black Soft Rubber



FINISHES



+ OTHER FINISHES AVAILABLE ON REQUEST

PART. NO	FINISHES	PART. NO	FINISHES	PART. NO	FINISHES
AA	Natural	IJ	Light Grey	RO	Red
AB	White	IL	Grey 20	PZ	Beech
AC	Opal White	IN	Grey met. 26	QB	Walnut
AE	White 9010	JB	Bright Aluminium	QA	Maple
AK	Champagne	JC	Aluminium - Chrome	UT	T-Met 9007
AL	Ivory	JD	Matt Aluminium	UZ	T-Met
EA	Black	JE	Satin-finished Aluminium	WA	Bronzed
EB	Glossy Black	JF	Aluminium - Brass	WI	Burnished
EC	Matt Black	JG	Aluminium 5	XD	Satin-finished Steel
EE	Anthracite	JL	Aluminium PE 11	YA	Nickel-plated
EW	Grey 9007	JM	Aluminium RAL 9006	YB	Bright Nickel-plated
FU	Gunmetal	KA	Chrome	YC	Matt Nickel-plated
FV	Gunmetal V52	KB	Bright Chrome	YD	Satin-finished Nickel-plated
GR	Raw	KC	Matt Chrome	YQ	Black Nickel
HA	Brass-Plated	MA	Brown	Z9	Black Zinc
HH	Tropicalized	MB	Light Brown 1	ZA	Zinc alloy
HL	Raw Brass	NN	Metallic Beige	ZN	Zinc-plated
HX	Graphite	NO	Beige	ZQ	Bright Gold
IA	Grey	OA	Oak	ZY	Titanium
IB	Metallic Grey	OZ	Ash	ZZ	Clear
IF	Middle Grey	PA	Light Ash	00	Insignificant finish

APC 1 AND APC 6 LIVING SETTINGS



APC 6



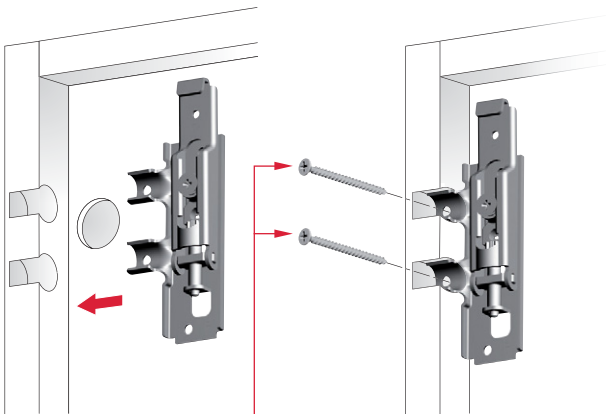
65 Kg per piece



In accordance with the regulation UNI EN 15939

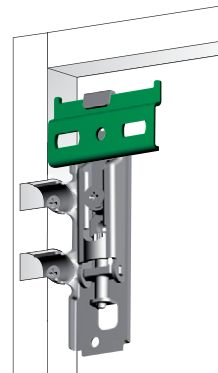


INSTALLATION UNDER THE CABINET TOP

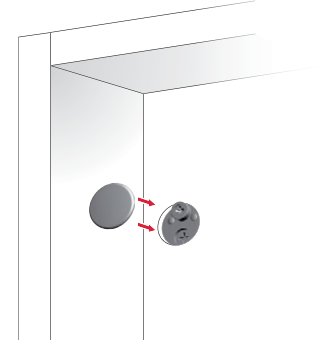


recommended fixing
countersunk head wood
screws Ø3x40 mm

INSTALLATION ON THE WALL



COVER CAP INSERTING

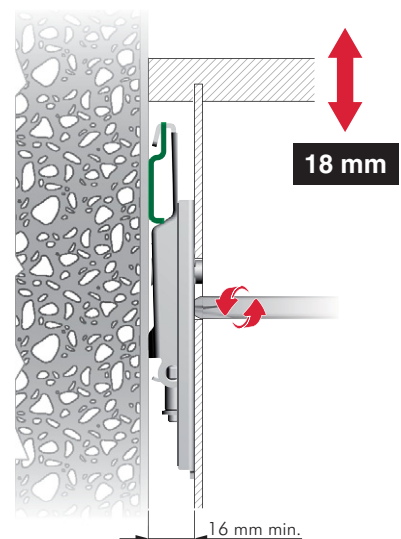
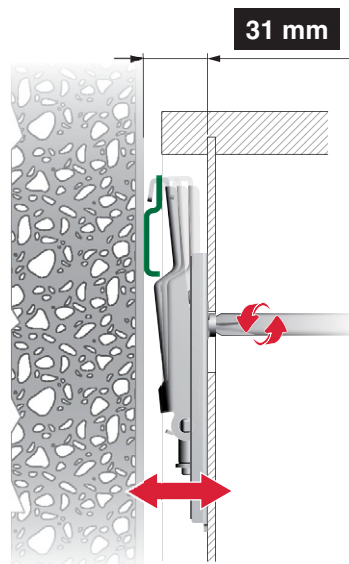
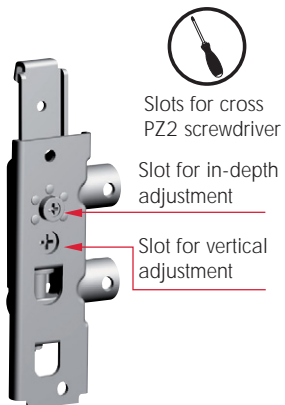


It is the responsibility of the customer:

- to ensure that the wall is of a suitable quality to hold the unit fixing in place.
- to use the proper hardware fittings according to the construction of the wall.

For more specific information, please refer to the WARNINGS section at the end of the catalogue.

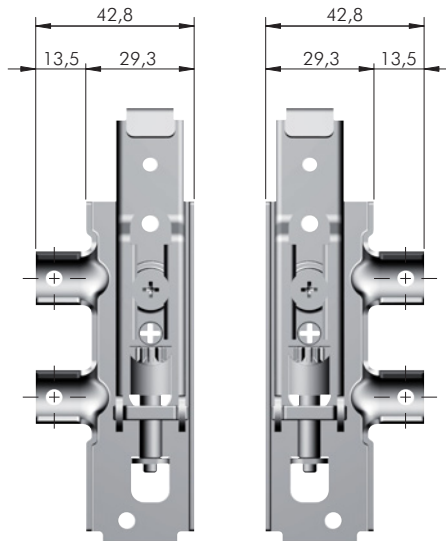
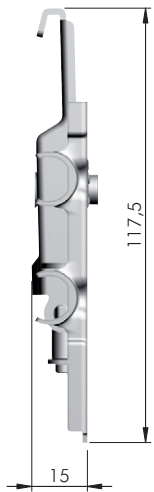
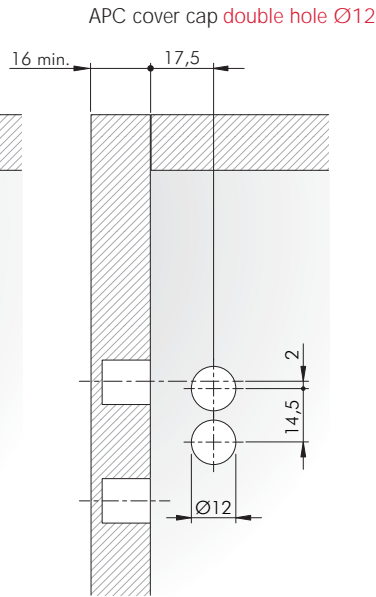
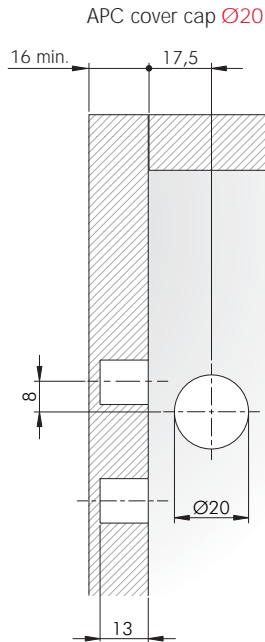
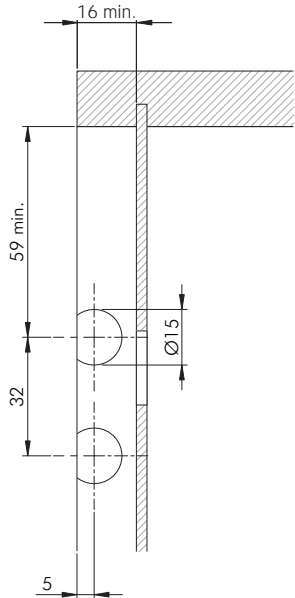
ADJUSTMENTS



DRILLING PLAN FOR APC 6 FIXED UNDER THE CABINET TOP

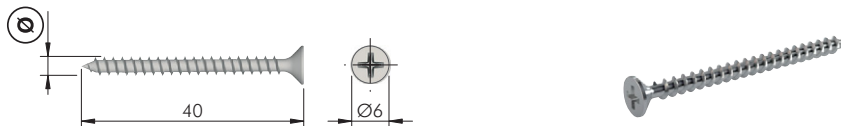
SIDE PANEL AND SERVICE GAP

BACK PANEL



	= PZ2		= 100 pcs.
ZA	ST		
65210020ZN			
65210030ZN			

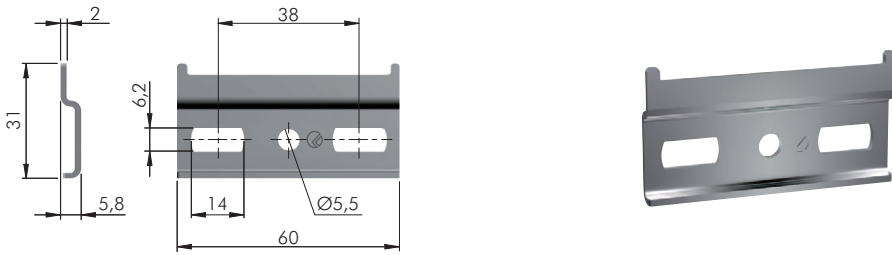
APC 6 FIXING ACCESSORY



ST		= 500 pcs.	
60101270ZN	3		PZ1
60101450ZN	3,5		PZ2



WPC2 WALL PLATE

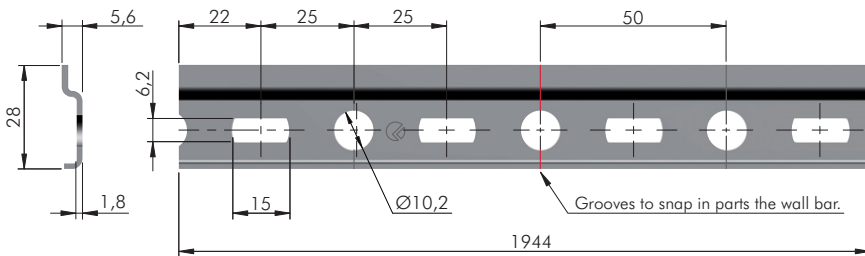


ST = 100 pcs.

123

65230010ZN

WPC1 WALL BAR



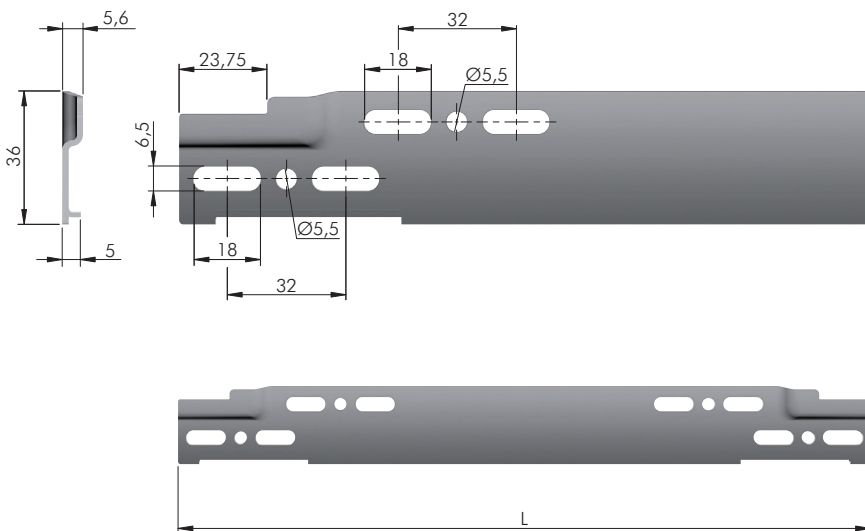
ST = 20 pcs.

123

65240010ZN



WPC3 WALL BAR



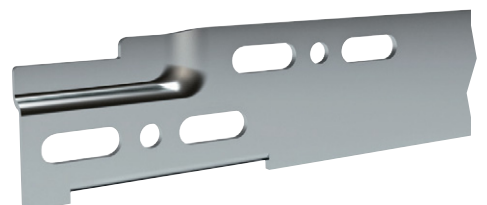
ST = 20 pcs.

123

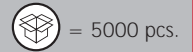
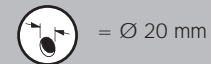
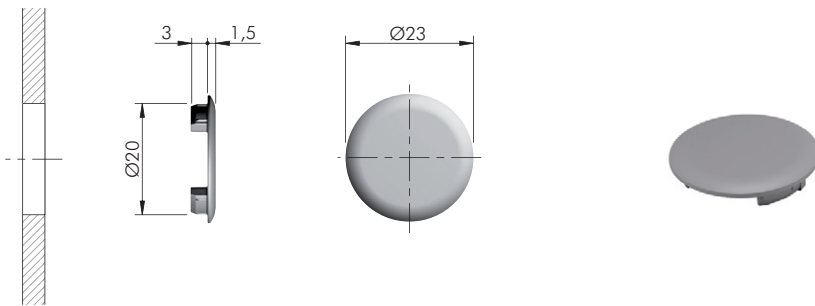
6525 XXXX ZN

6525 XXXX ZN

L = Length of the bar in mm



APC COVER CAP Ø20

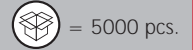
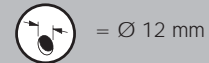
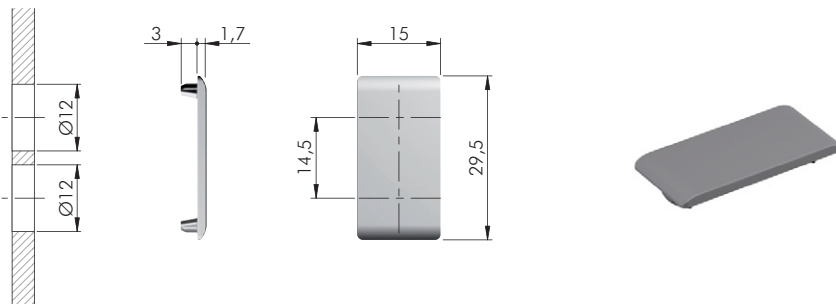


65270100AB

65270100EE

65270100IJ

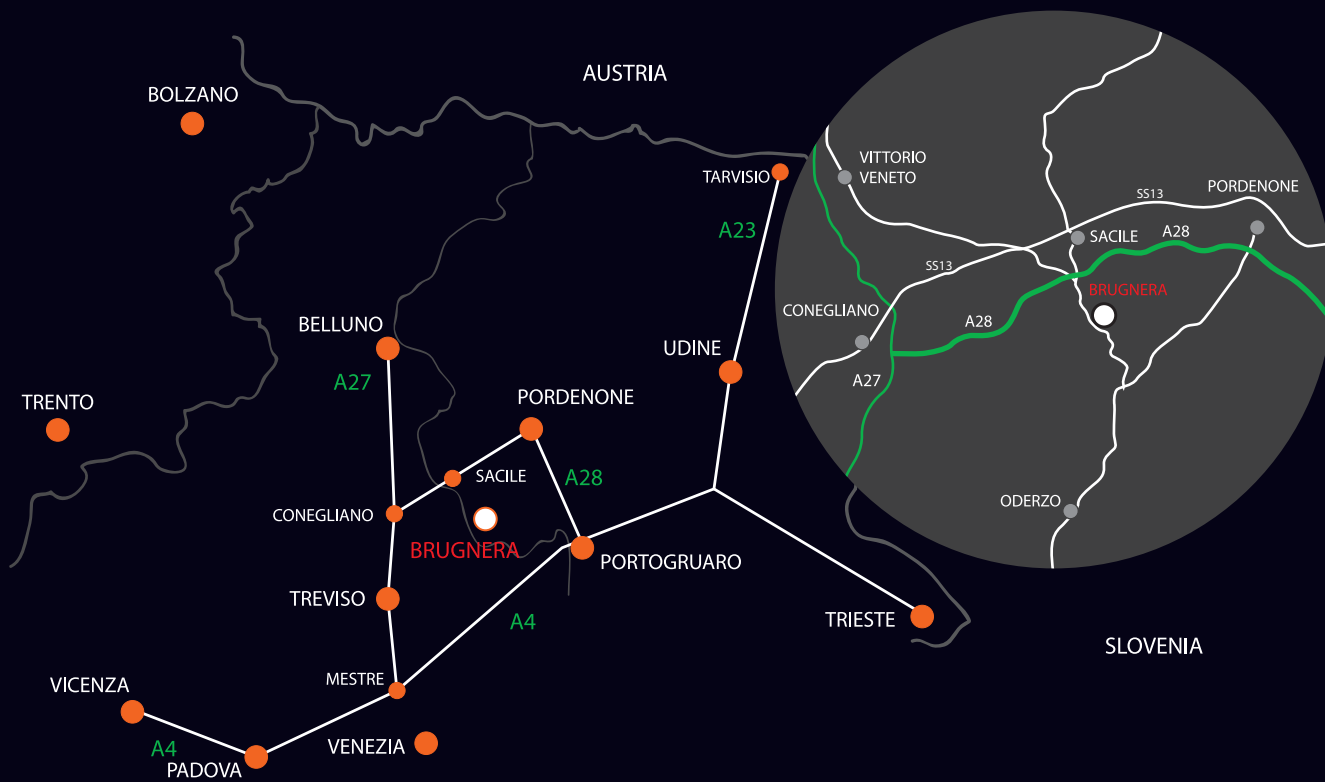
APC COVER CAP DOUBLE HOLE Ø12



65270200AB

65270200EE

65270200IJ



www.italianaferramenta.com