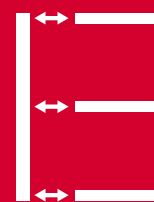
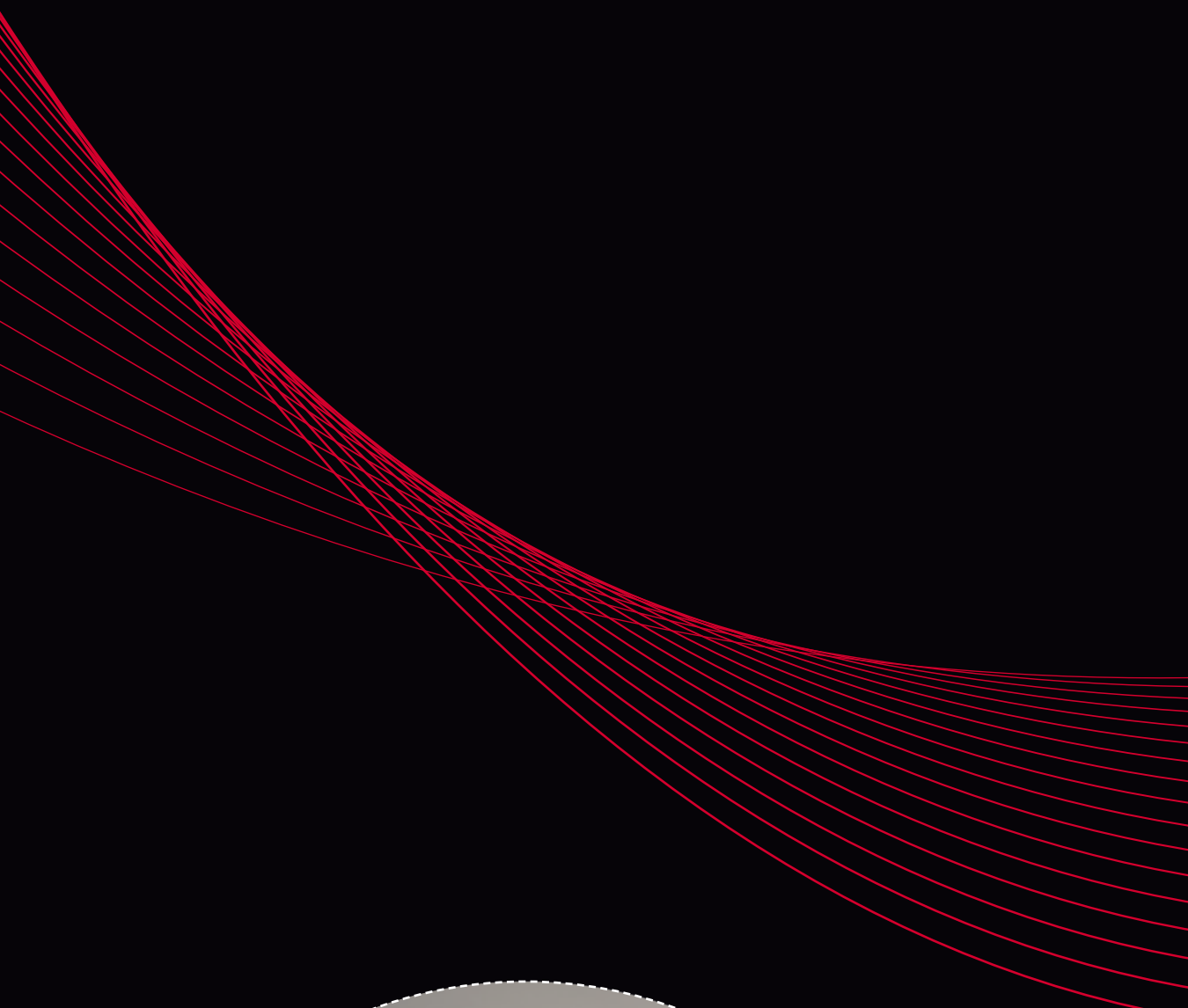


TARGET



CONNECTINGS





SYMBOLS AND FINISHES LEGEND

SYMBOLS



= SHELF SAFELY LOCKED DURING TRANSPORTATION AND AT HOME.



= ANTI-TURNOVER LOCKING SYSTEM



= NORMS / PATENTS



= PHILLIPS / POZIDRIV



= NEWTON



= PART.NO



= HEXAGONAL SOCKET



= FRICTION



= PCS. PER PACKAGE



= BLADE SLOT



= AUTOMATIC



= CAPACITY LOADING



= COUNTERSUNK HEAD



= DROP DOWN



= WOOD / GLASS THICKNESS



= PAN HEAD



= STANDARD HINGE



= HOLE DIAMETER



= FLANGE HEAD



= KIMANA HINGE



= DIAMETER



= FLAT HEAD



= FLAP HINGE



= LENGTH



= TRILOBULAR SCREW



= WITH SPRING



= HEIGHT



= SELF-TAPPING SCREW



= WITHOUT SPRING



= RIGHT VERSION



= EURO THREAD



= REVERSED SPRING



= LEFT VERSION



= METRIC THREAD



= SETTING CODE



= PRE-INSERTED SCREW



= FOR ROUND TUBE



= PCS. PER PAD



= PRE-INSERTED SCREW AND SPREADING BUSH



= FOR OVAL TUBE



= CUT ON REQUEST



= WITH BUFFER



= SELF ADHESIVE



= WITH MAGNET



= WITH FLANGE

NOTE: Printing errors and omissions may exist despite our best efforts to ensure accuracy. We reserve the right to alter specifications without notice.

MATERIALS

ZA = Zinc Alloy	ST = Steel	HSS = High Speed Steel	BR = Brass	ABS = Acrylonitrile Butadiene Styrene
ZAnk = Nickel-plated Zinc Alloy	STzk = Zinc-plated Steel	AL = Aluminium	WD = Wood	EVA = Ethylene Vinyl Acetate

EP = **ENGINEERING PLASTIC**

+ **EP** = other engineering plastic available on request

SR = **SOFT RUBBER**

+ **SR** = other soft rubber available on request

EPn = Natural Engineering Plastic

EPc = Clear Engineering Plastic

SRn = Natural Soft Rubber

EPw = White Engineering Plastic

EPg = Grey Engineering Plastic

SRw = White Soft Rubber

EPwg = Water Green Engineering Plastic

SRb = Black Soft Rubber

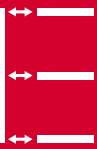


FINISHES



+ **OTHER FINISHES AVAILABLE ON REQUEST**

PART. NO	FINISHES	PART. NO	FINISHES	PART. NO	FINISHES
AA	Natural	JB	Bright Aluminium	RO	Red
AB	White	JC	Aluminium - Chrome	UZ	T -Met
AC	Opal White	JD	Matt Aluminium	WA	Bronzed
AE	White 9010	JE	Satin-finished Aluminium	WI	Burnished
AK	Champagne	JF	Aluminium - Brass	XD	Satin-finished Steel
AL	Ivory	JG	Aluminium 5	YA	Nickel-plated
EA	Black	JL	Aluminium PE 11	YB	Bright Nickel-plated
EB	Glossy Black	JM	Aluminium RAL 9006	YC	Matt Nickel-plated
EC	Matt Black	KA	Chrome	YD	Satin-finished Nickel-plated
EE	Anthracite	KB	Bright Chrome	YQ	Black Nickel
FU	Gunmetal	KC	Matt Chrome	ZA	Zinc alloy
GR	Raw	MA	Brown	ZN	Zinc-plated
HA	Brass-Plated	MB	Light Brown 1	ZQ	Bright Gold
HH	Tropicalized	NN	Metallic Beige	ZY	Titanium
HL	Raw Brass	NO	Beige	ZZ	Clear
HX	Graphite	OA	Oak	00	Insignificant finish
IA	Grey	OZ	Ash		
IB	Metallic Grey	PA	Light Ash		
IF	Middle Grey	PZ	Beech		
IJ	Light Grey	QB	Walnut		



TARGET J12

TARGET is the new structural connecting fitting conceived by Italiana Ferramenta with high fastening capacity, suitable for mounting with wood dowels.

TARGET is an ideal solution for the installation of cabinets in tight spaces.

TARGET provides the possibility of pre-assembling into the panels without obstructing the packaging.

FEATURES AND BENEFITS

Easy pre-assembly

Simple pre-insertion into the panels. Conceived for automatic assembling.

Suitable for furniture in kit

Its unique features make **TARGET** the ideal solution for kit furniture.

No hardware kits

There is no need of hardware kits.

High-speed assembling

Mounting is extremely fast and efficient thanks to the pre-assembly of the panels.

Strong structural fastening

The panels are hard and securely fastened, therefore the cabinet is 100% stress-resistant.

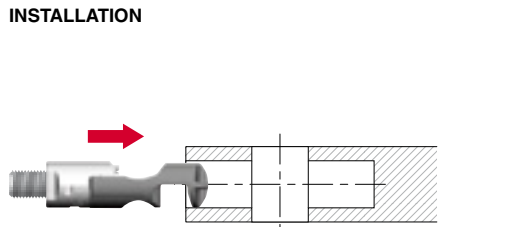
Wide range of applications

Practical solution for a wide range of applications.

15 - 25 mm

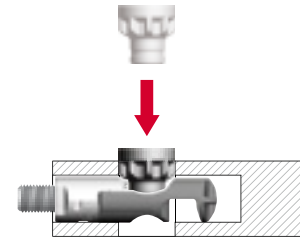
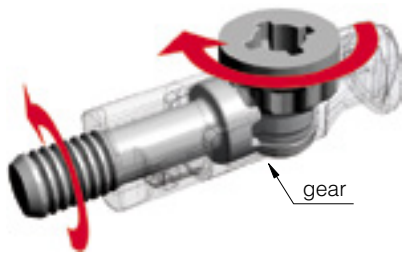
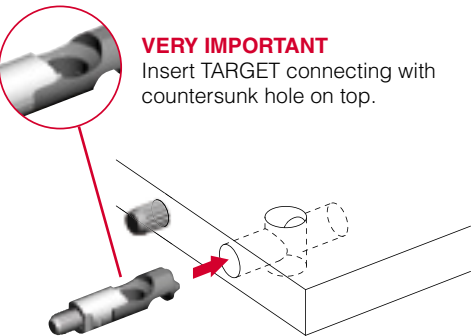


INSTALLATION

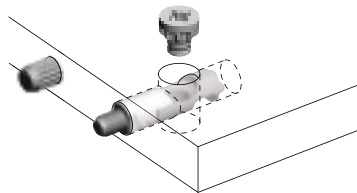


VERY IMPORTANT

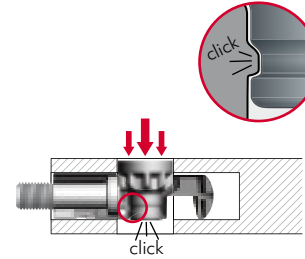
Insert **TARGET** connecting with countersunk hole on top.



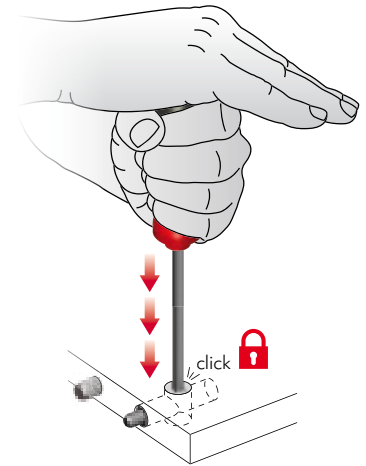
Place the pinion screw from above.



By turning the pinion screw, the threaded dowel makes a synchronized rotation.



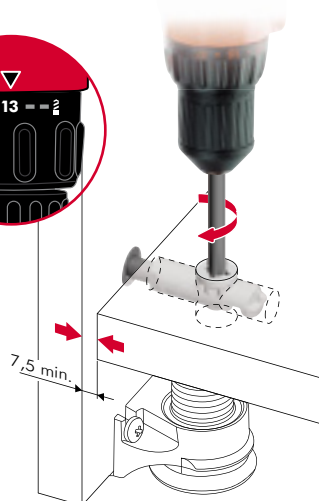
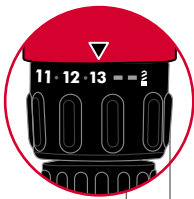
Press strongly with PZ2 cross screwdriver to slot the pinion screw in.



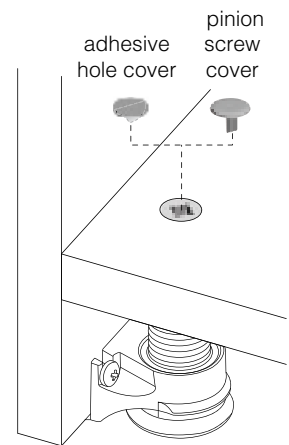
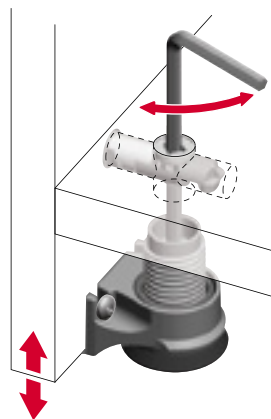
ASSEMBLING AND LEVELLER ADJUSTMENTS

VERY IMPORTANT

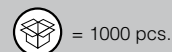
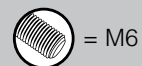
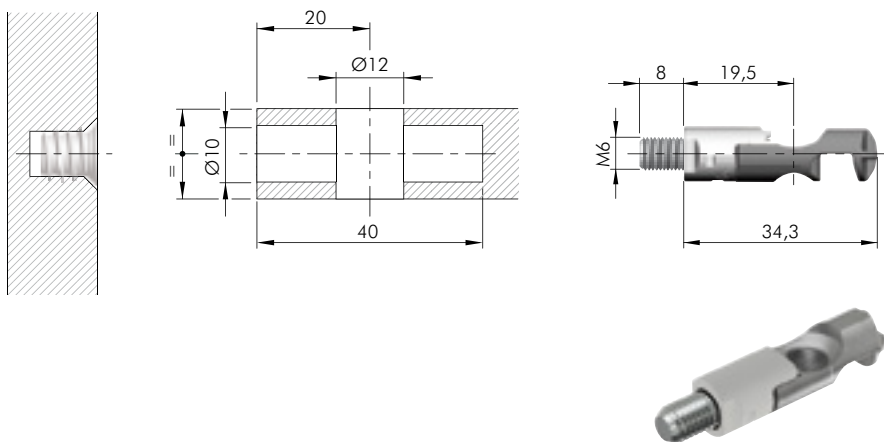
Cordless driver drill to be used **ONLY** with **friction mode** on.



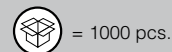
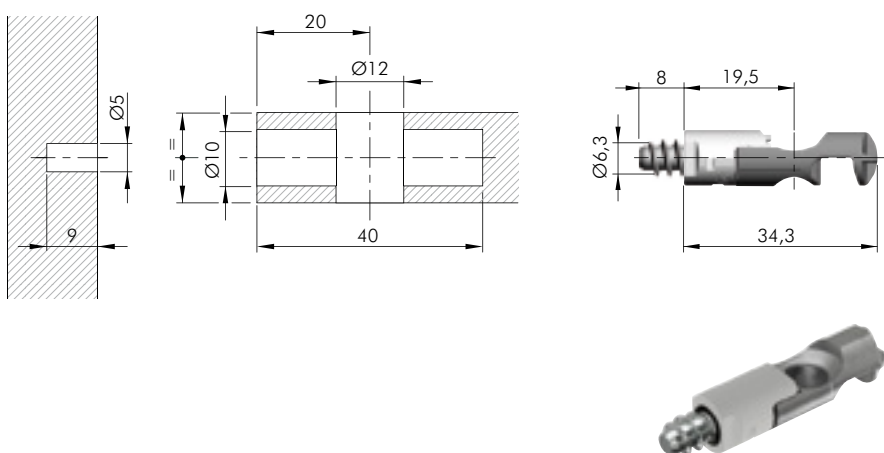
For details about adjustable levers for **TARGET J12** refer to the related sections.



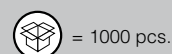
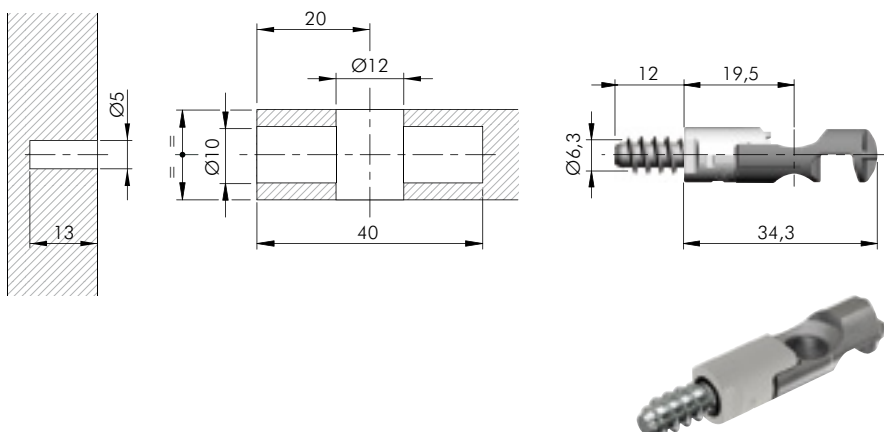
TARGET J12



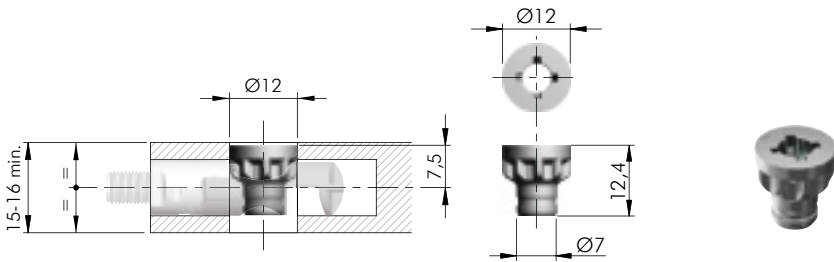
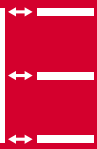
21807160ZN



21808160ZN

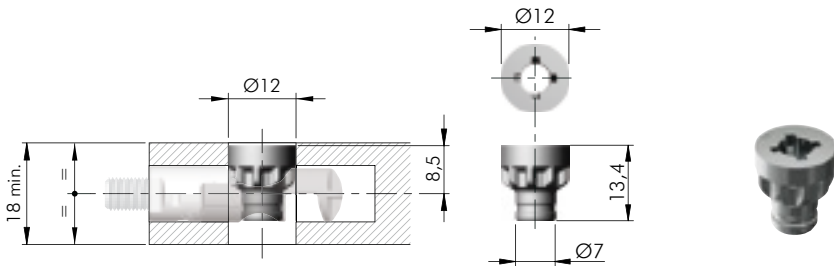


21808240ZN



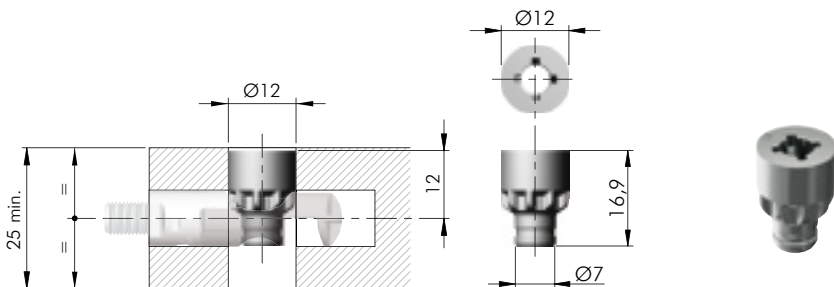
= PZ2 = Ø 12 mm
 = 15-16 mm min.
 = 2000 pcs.

21822160ZN



= PZ2 = Ø 12 mm
 = 18 mm min.
 = 2000 pcs.

21822180ZN



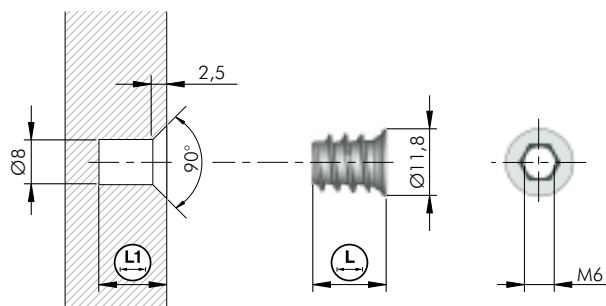
= PZ2 = Ø 12 mm
 = 25 mm min.
 = 2000 pcs.

21822250ZN



All information about drilling jigs are available at the end of the section Target.


TARGET FIXING ACCESSORIES



 = Ø 8 mm  = M6 + 

 = S6

ZA

 = 5000 pcs.



20102010GR

10

12

20102020GR

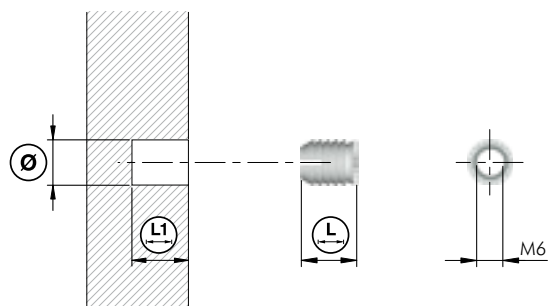
13


15

20102040GR

17


19



 = Ø 8, Ø 10 mm

 = M6

EPn

 = 1000 pcs.



20303030AA

8

11

13

20304030AA

10

11

13

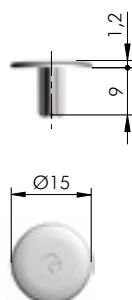
20304040AA

10

13

15

TARGET J12 PINION SCREW COVER



EP

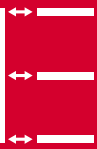
 = 2500 pcs



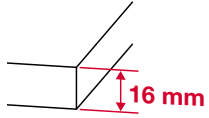
P1704134AB

P1704134IJ

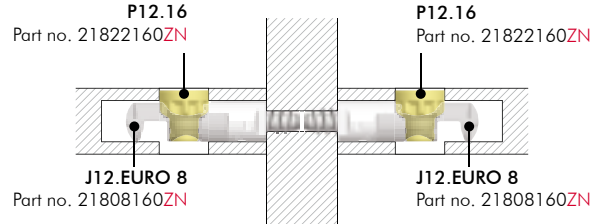
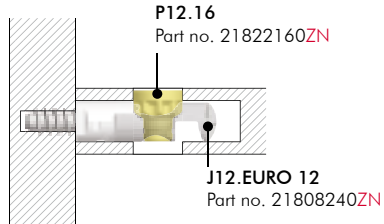
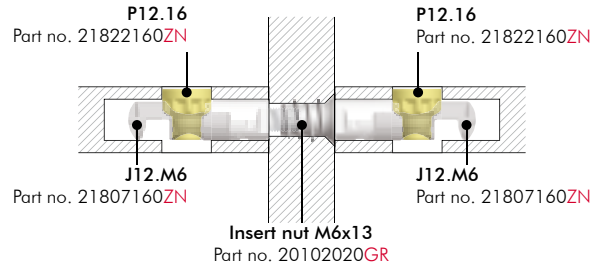
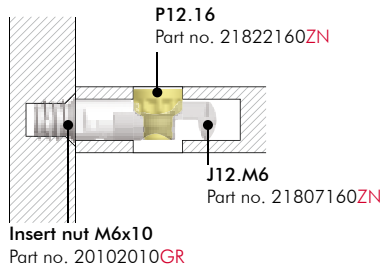
P1704134EE



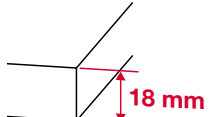
M6 thread



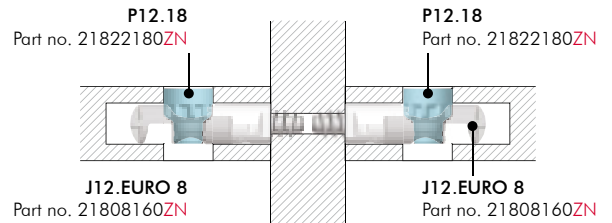
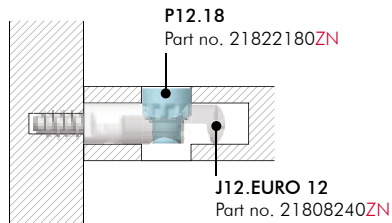
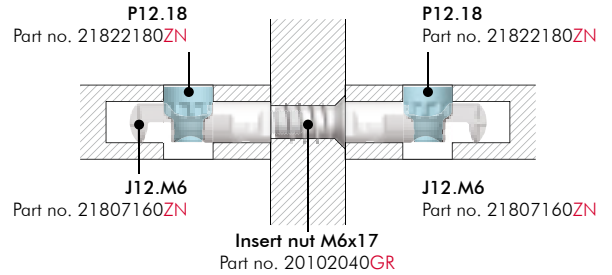
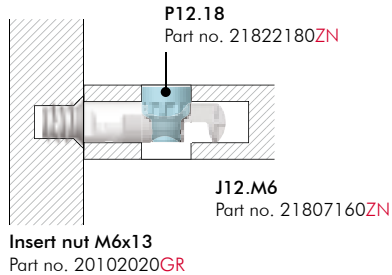
Euro thread



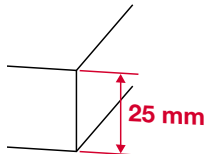
M6 thread



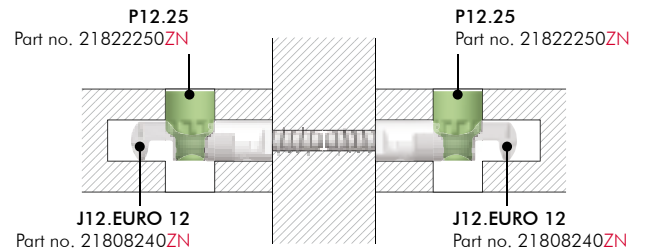
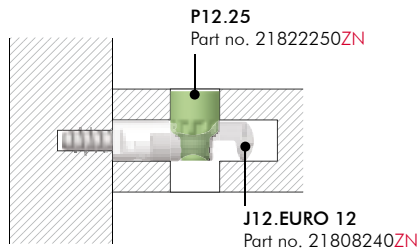
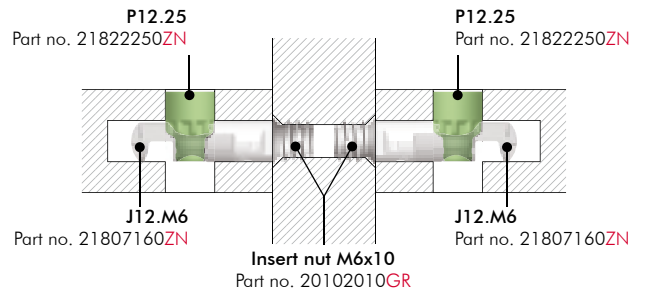
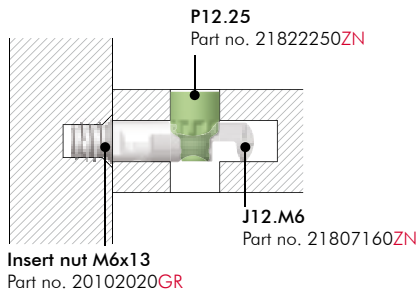
Euro thread



M6 thread



Euro thread



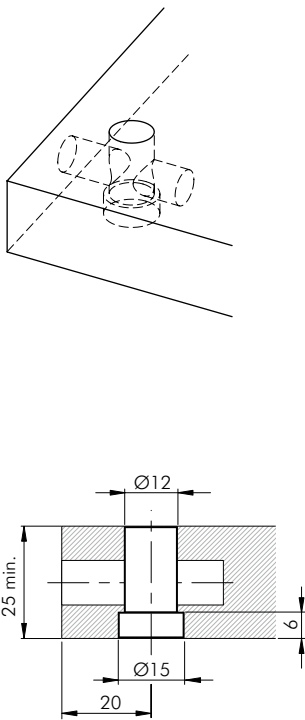
LH7.20 ADJUSTABLE LEVELLER FOR TARGET J12



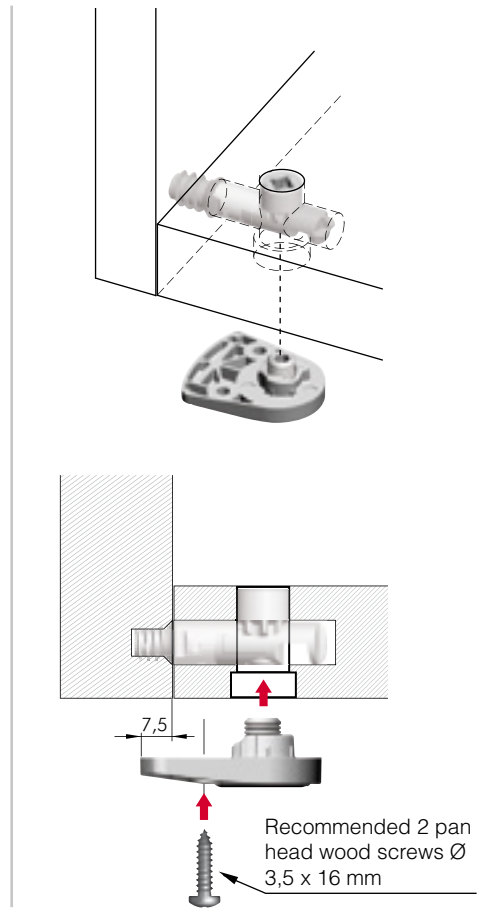
150 Kg per piece



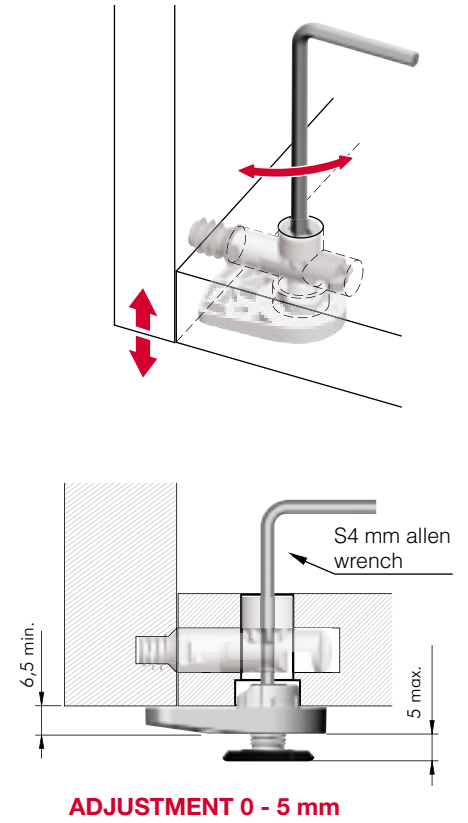
DRILLING PLAN DETAIL



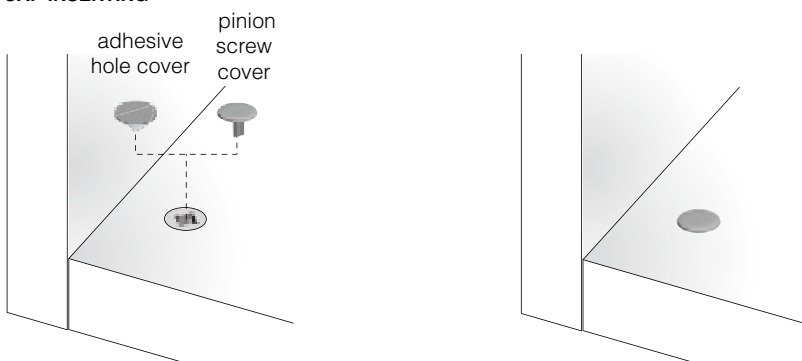
INSTALLATION

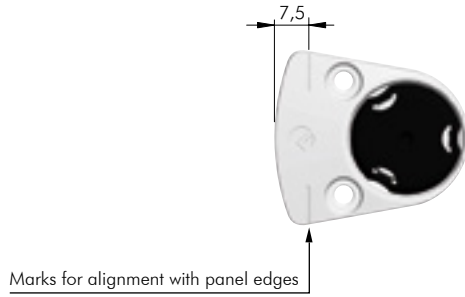
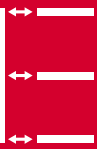


ADJUSTMENT

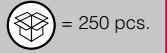


COVER CAP INSERTING

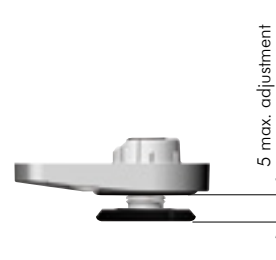
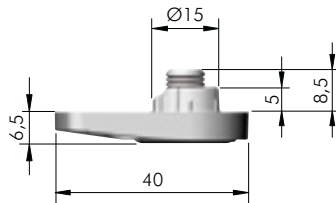
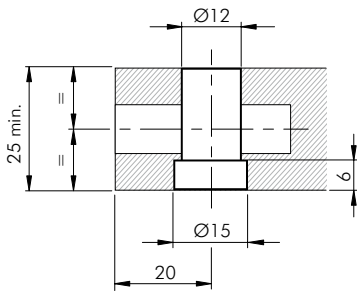
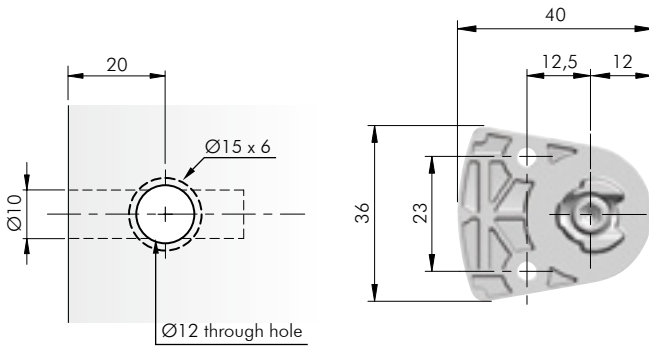




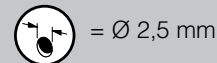
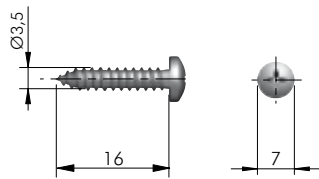
ADJUSTMENT 0 - 5 mm



2183620000



LH7.20 LEVELLER ACCESSORY

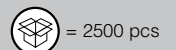
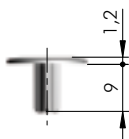


= PZ2



60103140ZN

TARGET J12 PINION SCREW COVER



P1704134AB

P1704134IJ

P1704134EE

INTEGRATO ADJUSTABLE LEVELLERS FOR TARGET J12



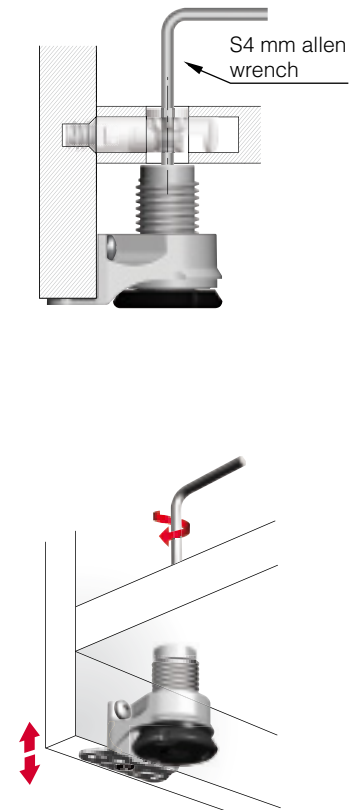
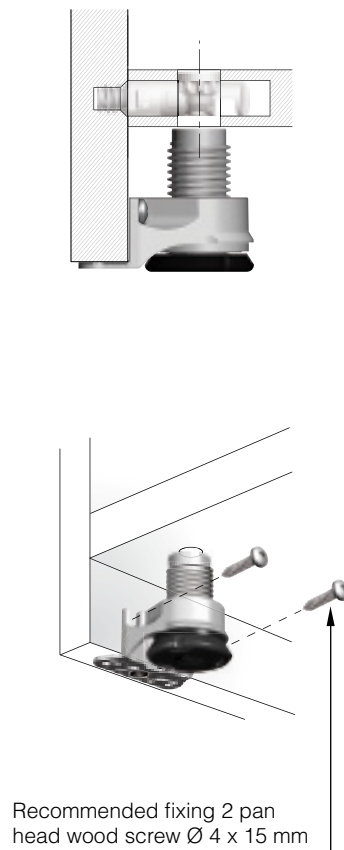
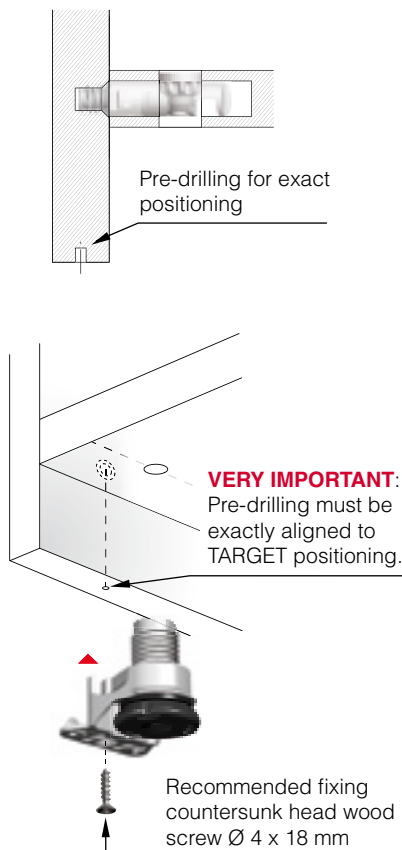
175 Kg per piece



DRILLING PLAN DETAIL

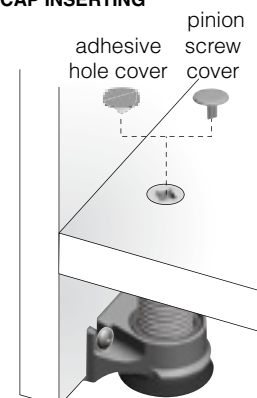
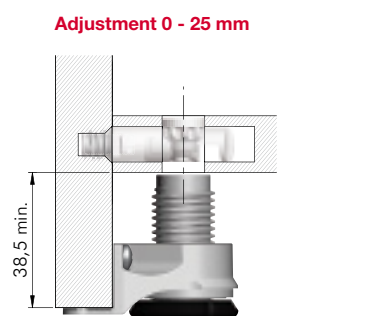
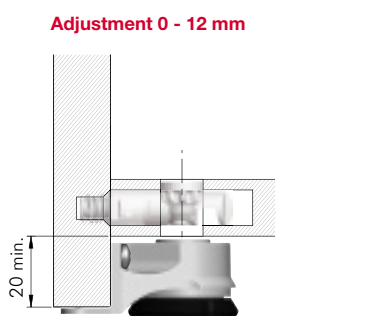
INSTALLATION

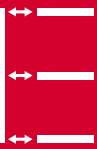
ADJUSTMENT



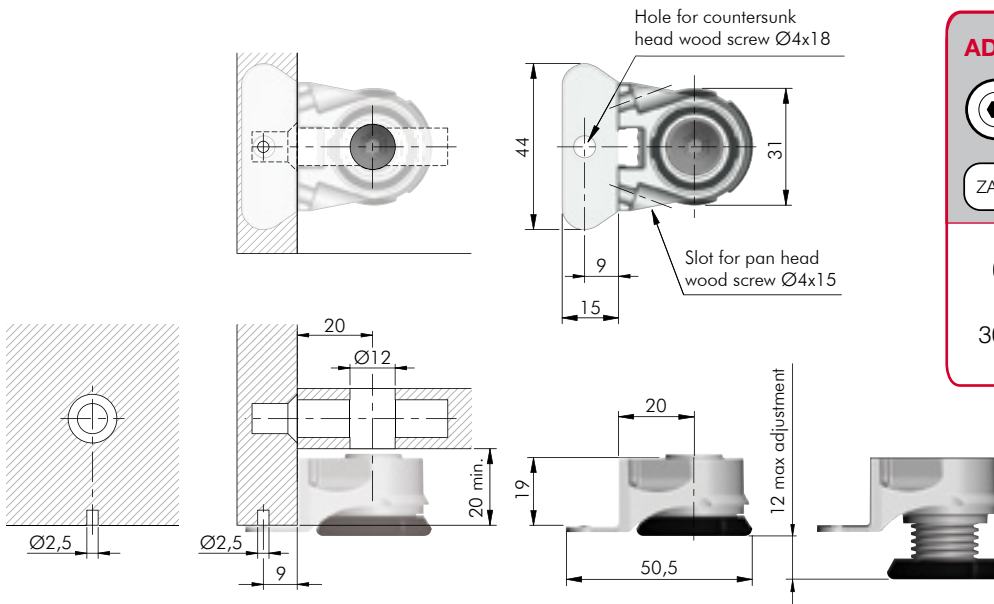
INTEGRATO VERSIONS

COVER CAP INSERTING





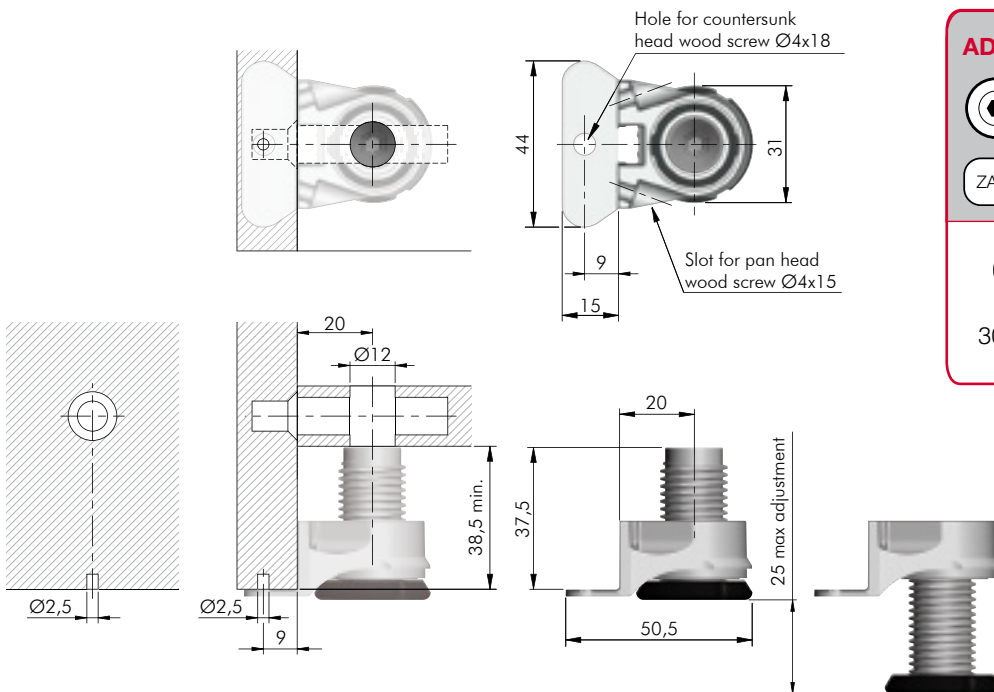
INTEGRATO A FOR TARGET J12



ADJUSTMENT 0 - 12 mm

= S4, S6 mm
 = 300 pcs.

3010104000



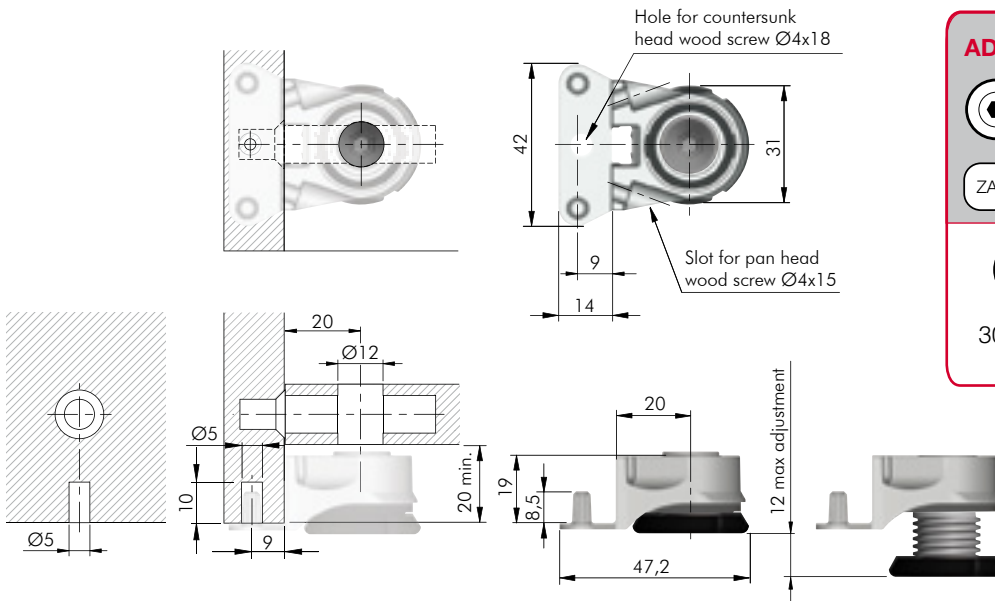
ADJUSTMENT 0 - 25 mm

= S4, S6 mm
 = 250 pcs.

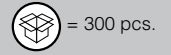
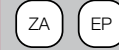
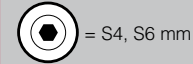
3010105000



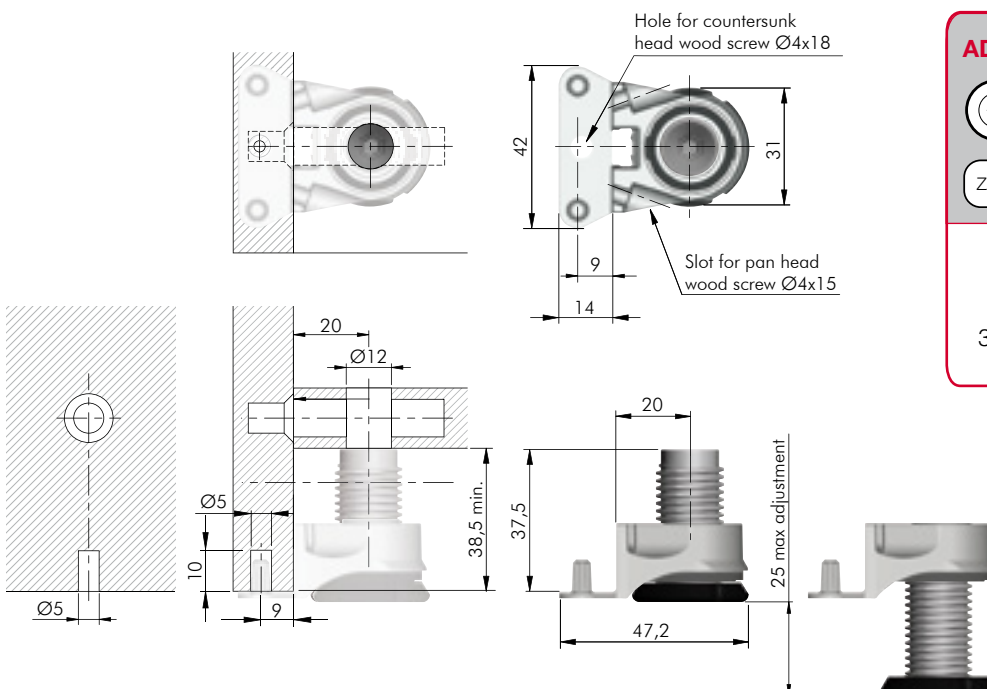
INTEGRATO D FOR TARGET J12



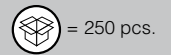
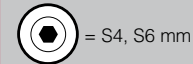
ADJUSTMENT 0 - 12 mm



3010405000

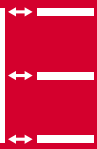


ADJUSTMENT 0 - 25 mm

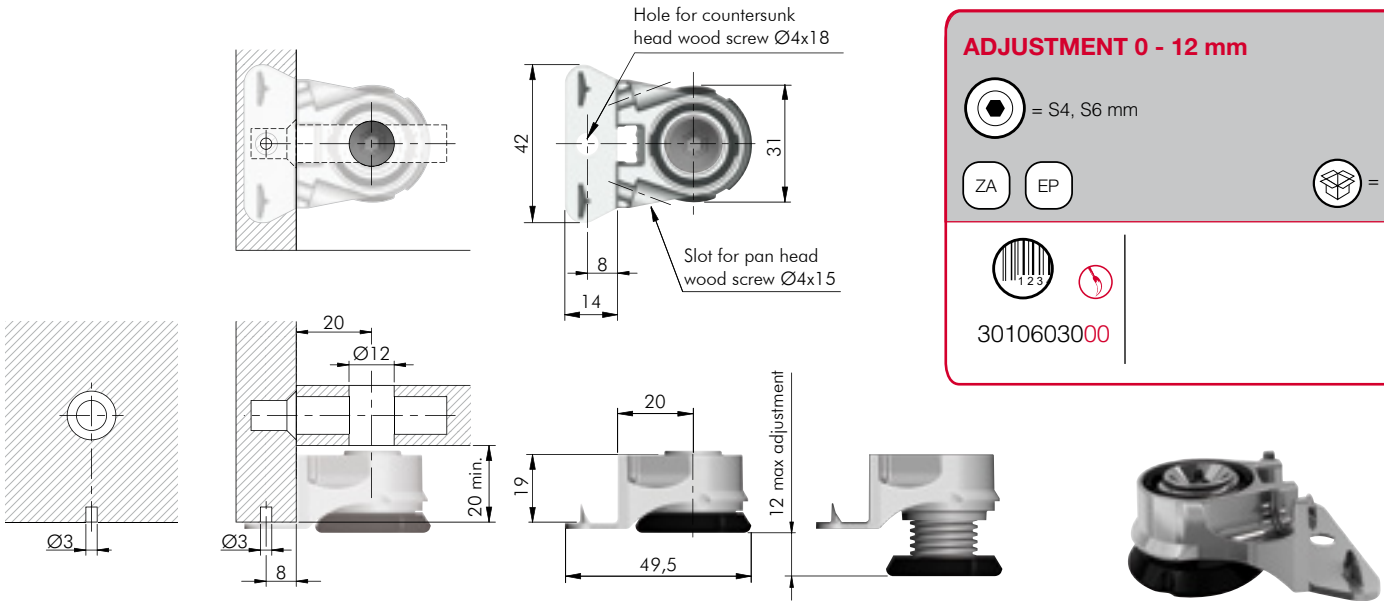


3010404000





INTEGRATO G FOR TARGET J12



ADJUSTMENT 0 - 12 mm

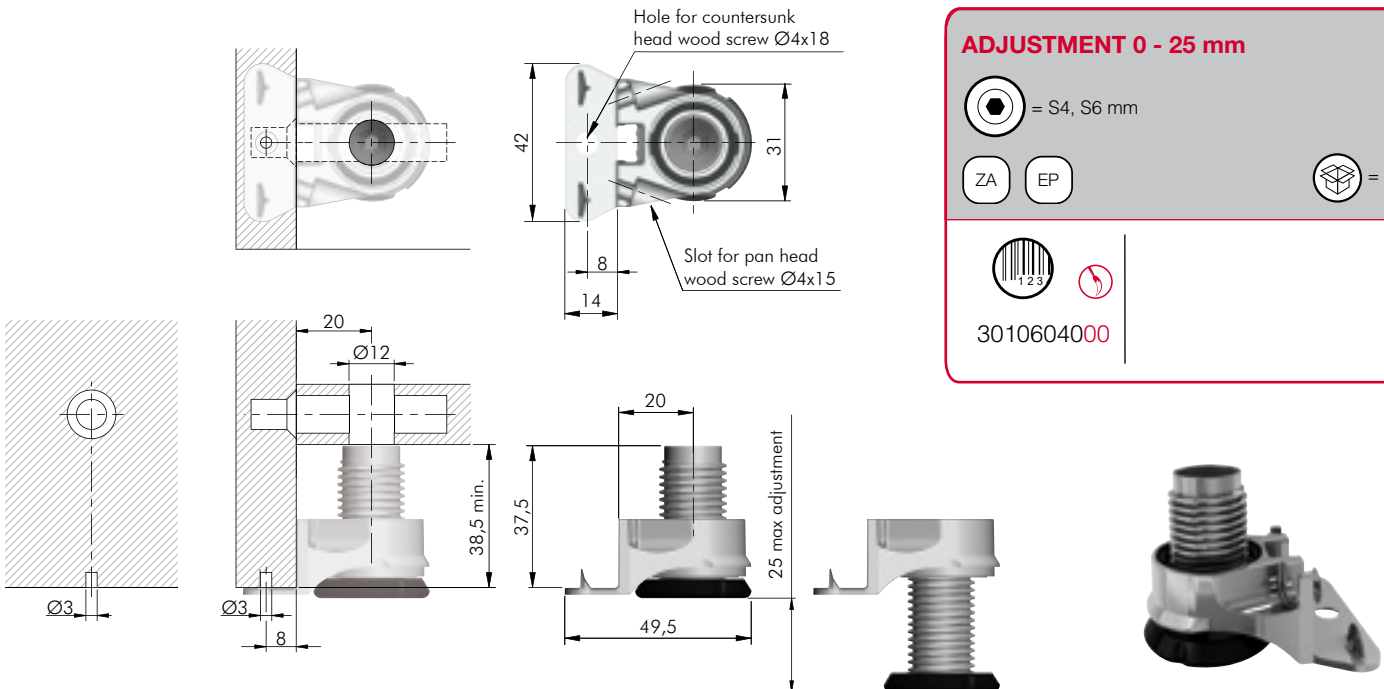
= S4, S6 mm

ZA EP

= 300 pcs.



3010603000



ADJUSTMENT 0 - 25 mm

= S4, S6 mm

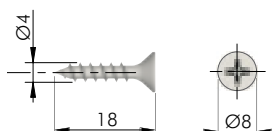
ZA EP



= 250 pcs.



3010604000

INTEGRATO FIXING ACCESSORIES



 = Ø 3 mm 

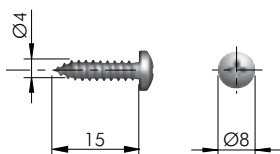
   = PZ2



ST

 = 6000 pcs.




60101580ZN



 = Ø 3 mm 

   = PZ2

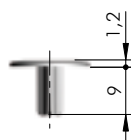
ST

 = 1000 pcs.




60103230ZN

TARGET J12 PINION SCREW COVER



EP

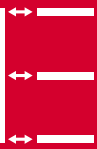
 = 2500 pcs



P1704134AB

P1704134IJ

P1704134EE



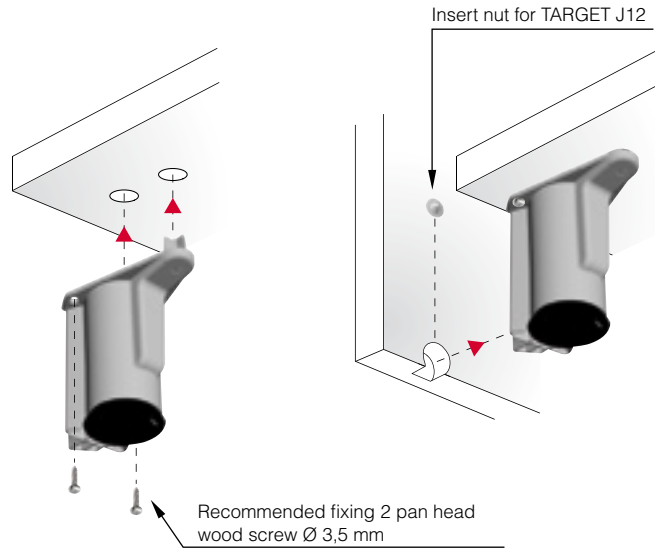
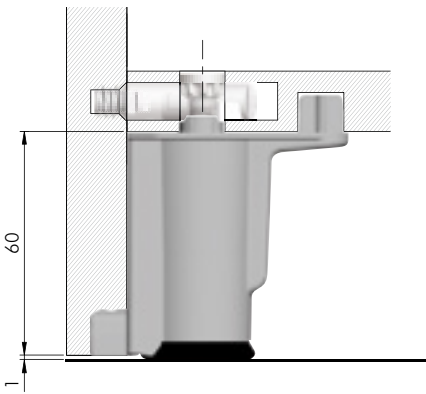
LH60.20 ADJUSTABLE LEVELLER FOR TARGET J12



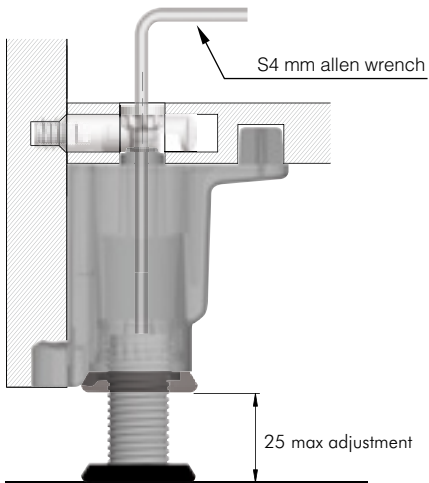
175 Kg per piece



INSTALLATION

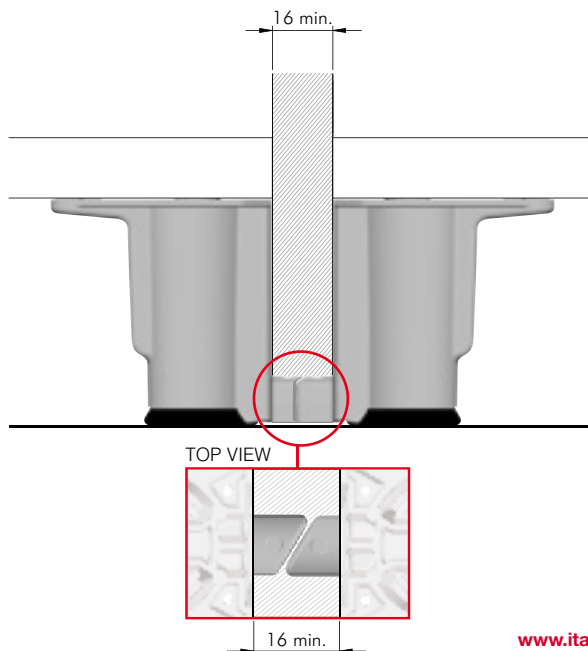


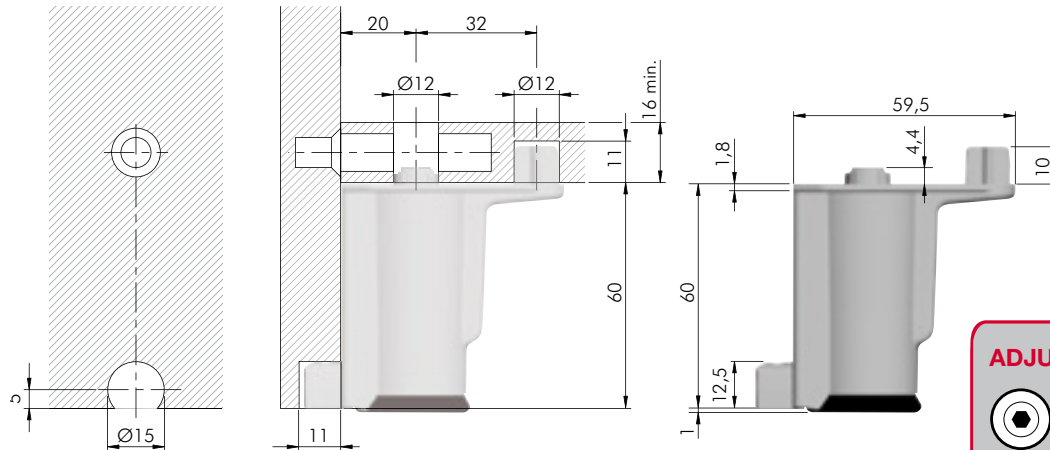
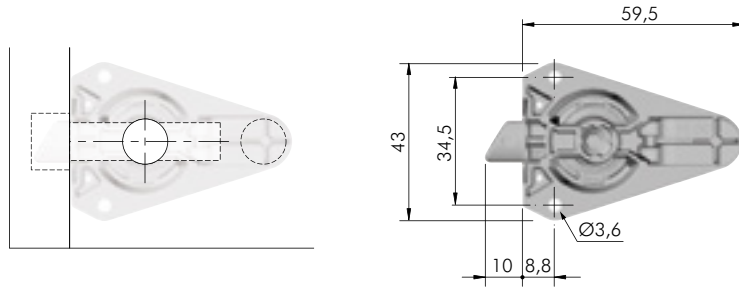
ADJUSTMENT



Adjustment 0 - 25 mm

APPLICATION FOR PARTITION 16 mm THICK



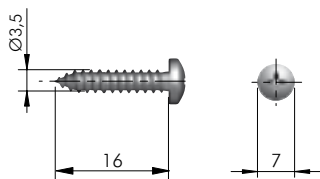


ADJUSTMENT 0 - 25 mm

= S4 / S6 mm
 = 70 pcs.

P1801761IJ

LH60.20 LEVELLER ACCESSORY

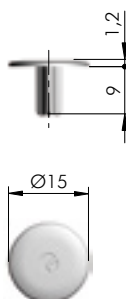


= Ø 2,5 mm +

= PZ2
 = 10.000 pcs.

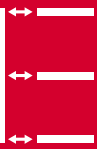
60103140ZN

TARGET J12 PINION SCREW COVER



= 2500 pcs. +

P1704134AB
 P1704134IJ
 P1704134EE

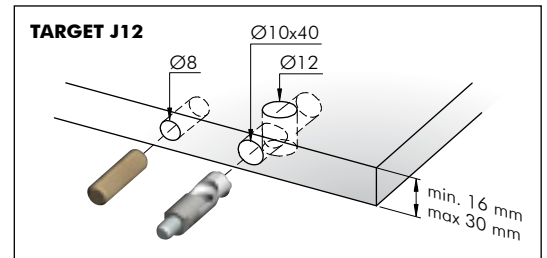
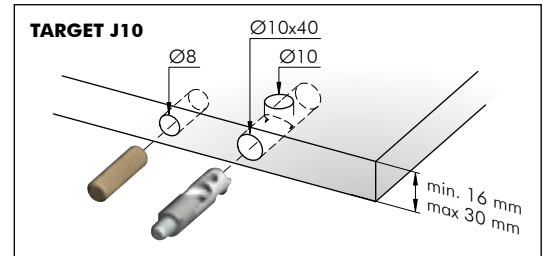
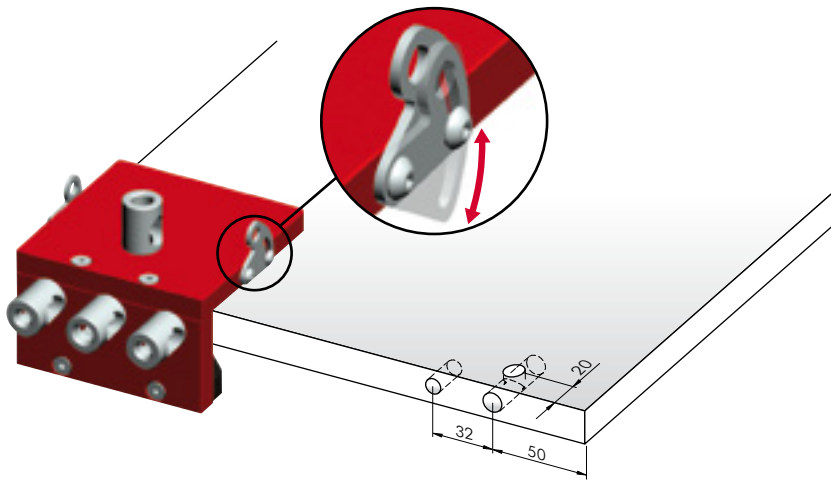


DRILLING JIG TARGET J10-J12

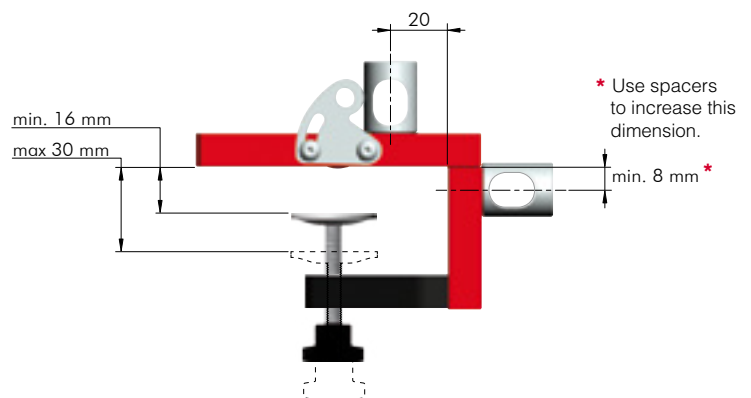
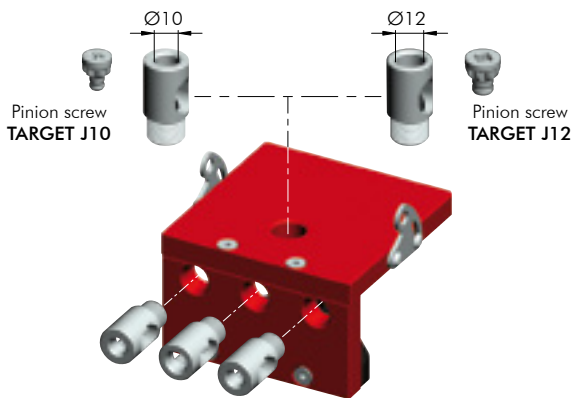


16 - 30 mm 

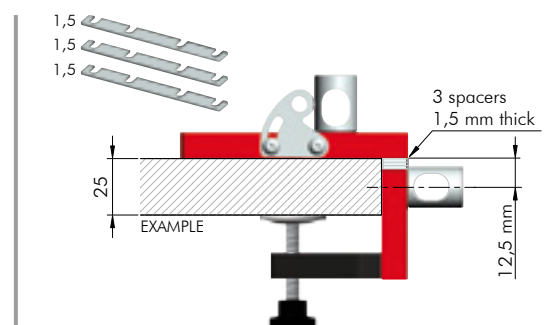
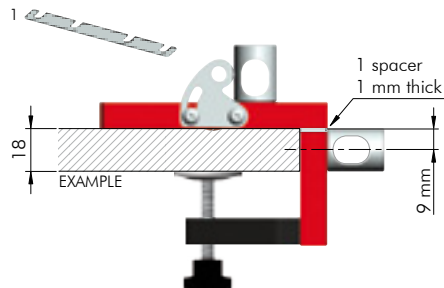
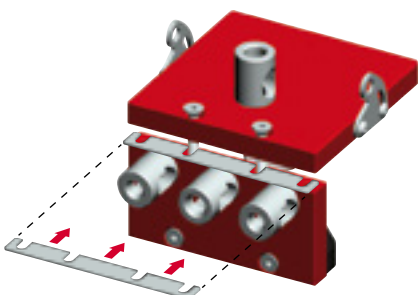
GENERAL SPECIFICATIONS



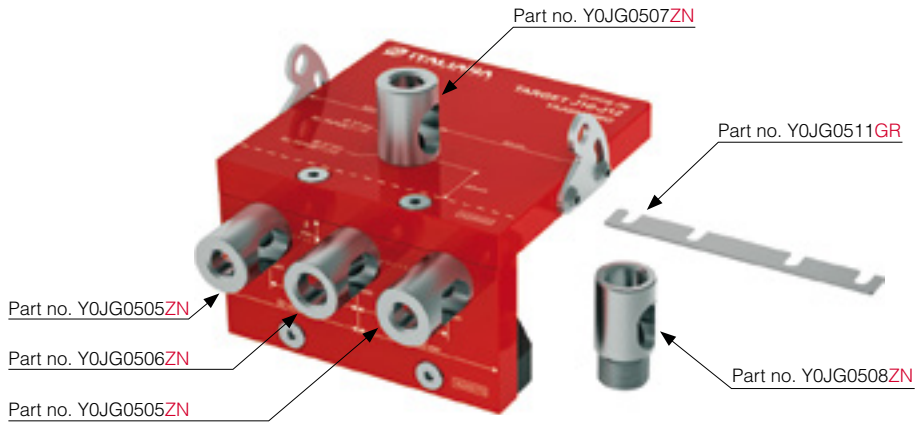
APPLICATION OPTIONS






DRILLING SPACERS FOR OTHER PANEL THICKNESSES



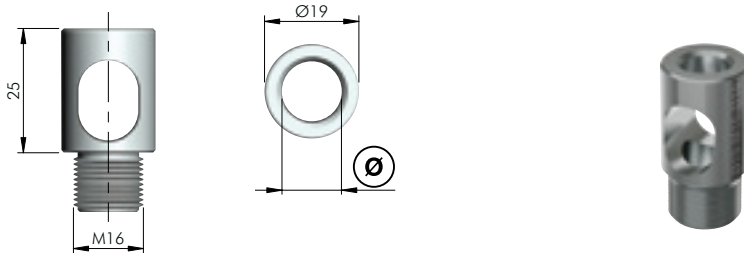
TARGET J10-J12 DRILLING JIG FOR PANEL THICKNESS 16 AND 18 mm








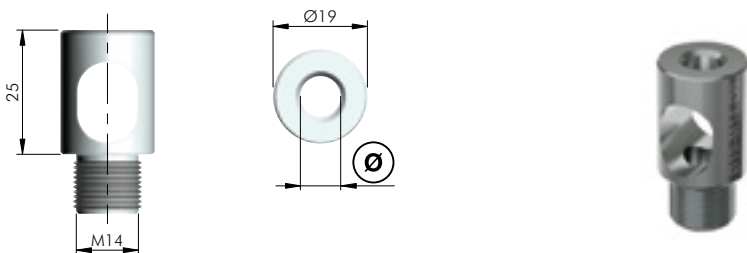
AL	ST	EP	 = on request
			
Y0JG0100RO			






NOTE: The product code includes all the components shown in the picture.

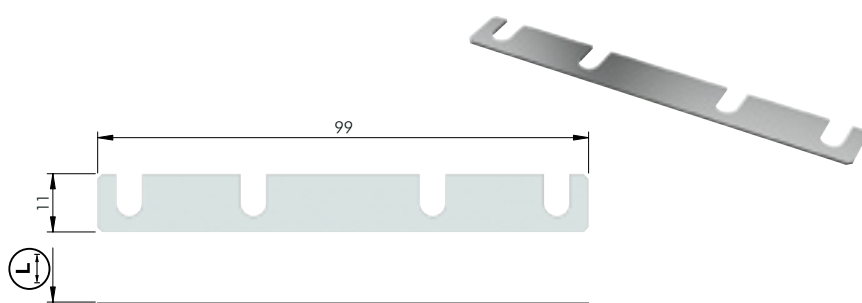
TARGET J10-J12 DRILLING JIG ACCESSORIES







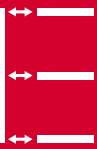
 = M16		
ST	 = on request	
		
Y0JG0507ZN		Ø10
Y0JG0508ZN		Ø12



 = M14		
ST	 = on request	
		
Y0JG0505ZN		Ø8
Y0JG0506ZN		Ø10



AL	 = on request	
		
Y0JG0511GR		1
Y0JG0512GR		1,5

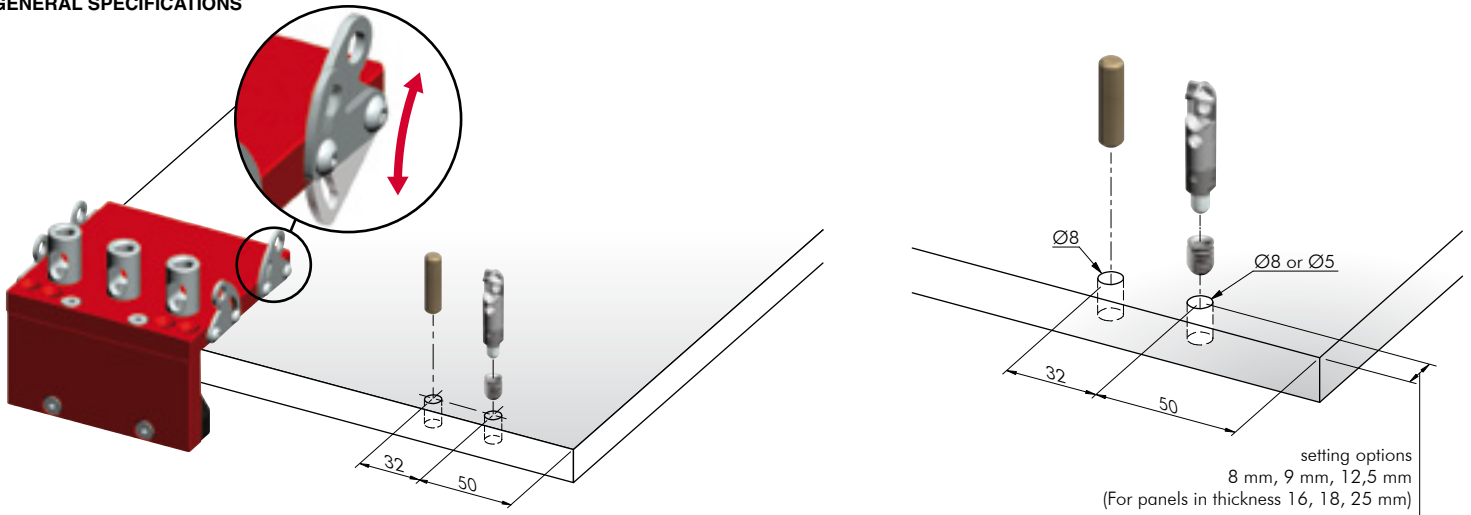


DRILLING JIG FOR SIDE PANELS

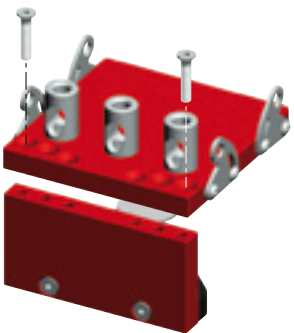


16 - 30 mm

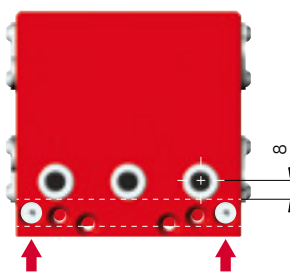
GENERAL SPECIFICATIONS



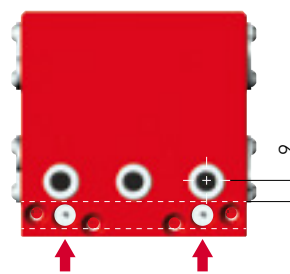
APPLICATION OPTIONS



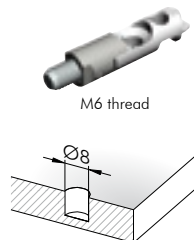
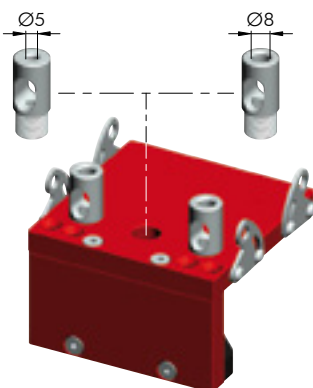
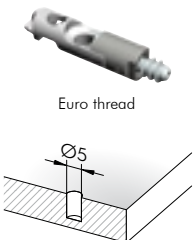
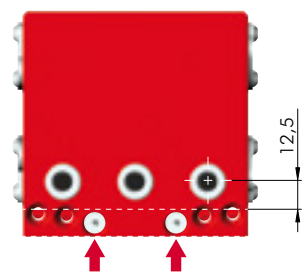
Setting for 8 mm



Setting for 9 mm

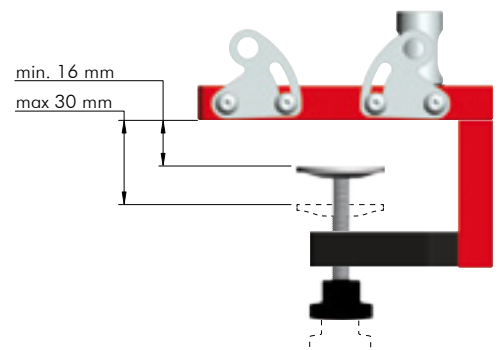


Setting for 12,5 mm

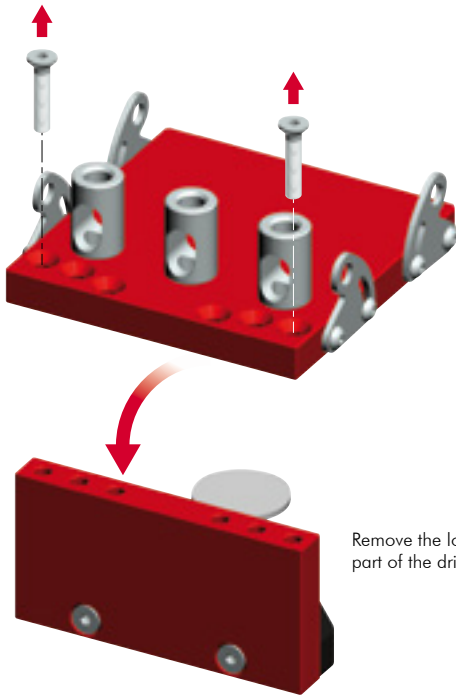


Plastic insert nut M6 thread Zinc alloy insert nut M6 thread *

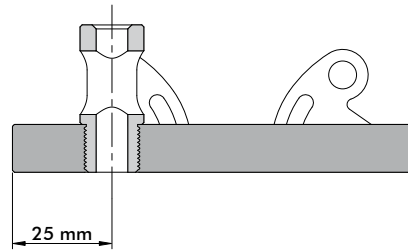
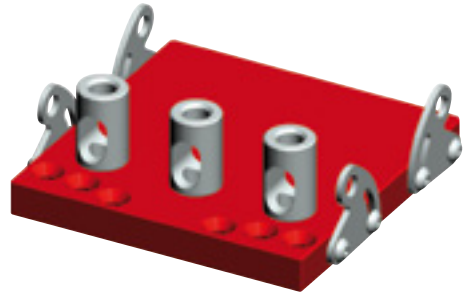
* It requires further countersunk operation.



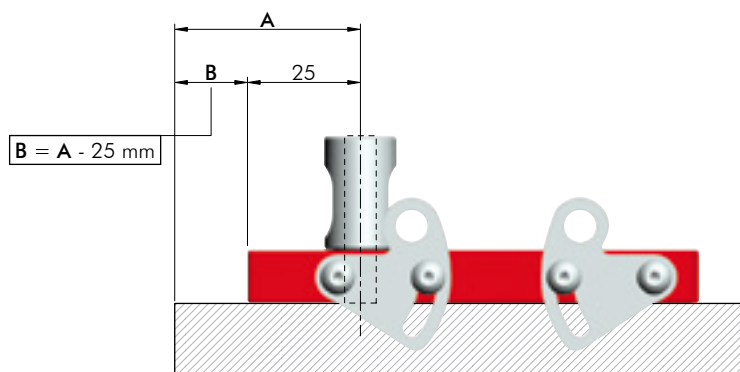
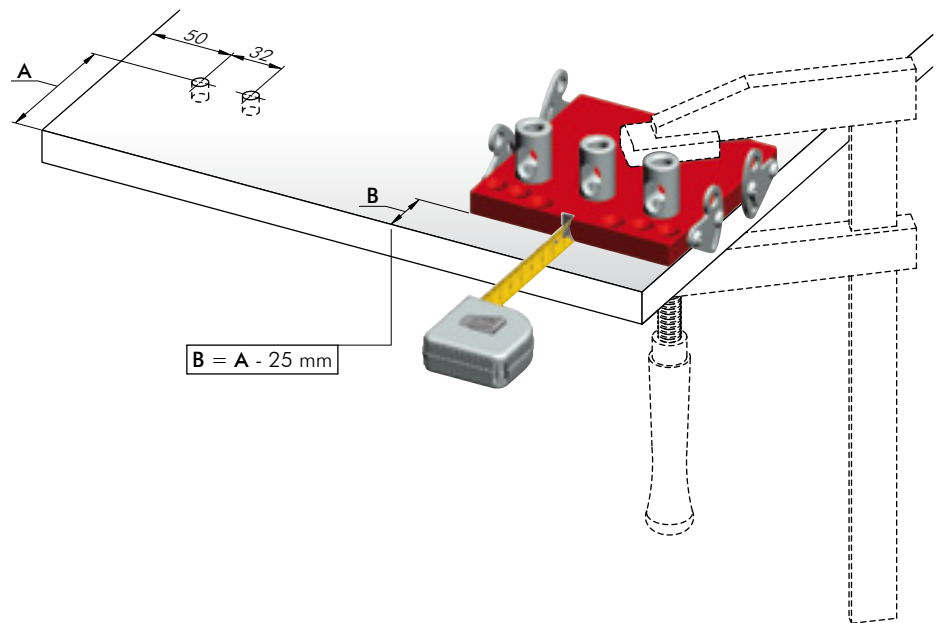
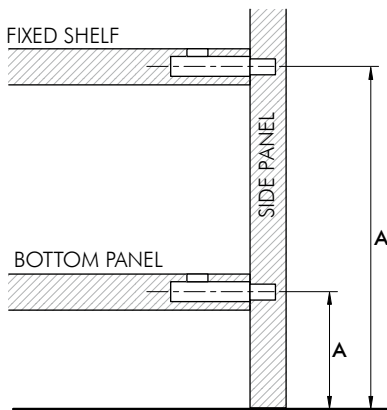
SETTING FOR ALTERNATIVE POSITIONS OF BOTTOM PANELS AND FIXED SHELVES

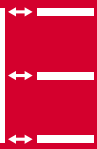


Remove the lower part of the drilling jig.

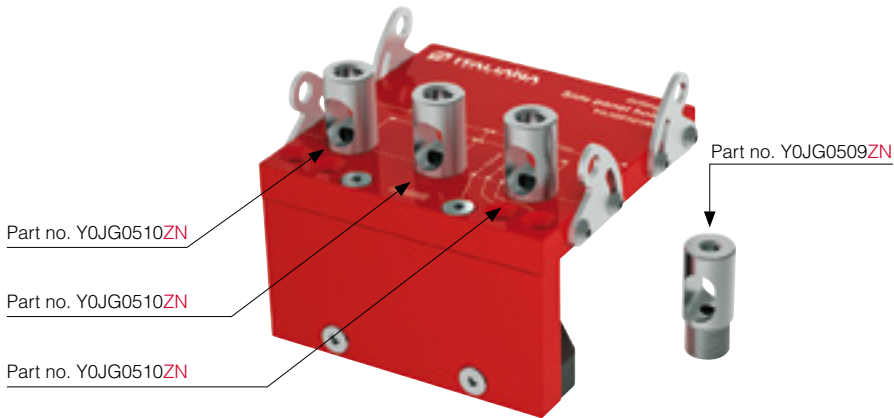


DRILLING JIG POSITIONING





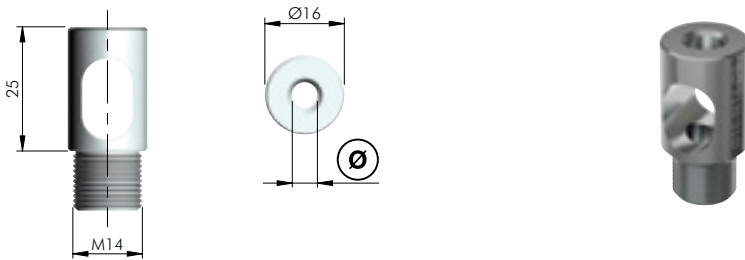
DRILLING JIG FOR SIDE PANELS



AL	ST	EP	= on request
Y0JG0101RO			

NOTE: The product code includes all the components shown in the picture.

DRILLING JIG FOR SIDE PANELS ACCESSORIES



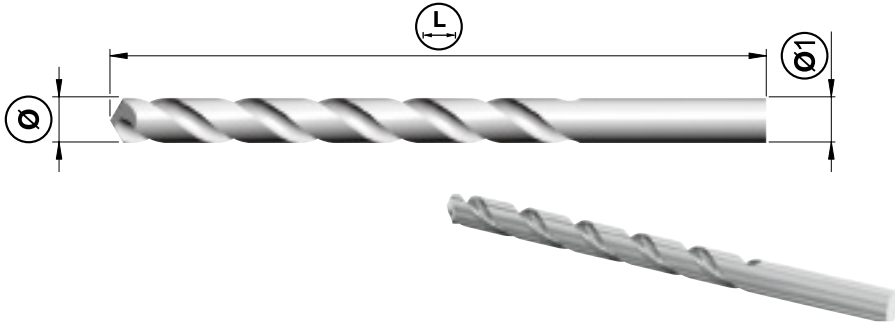
= M14		
ST	= on request	
Y0JG0509ZN		Ø5
Y0JG0510ZN		Ø8

DRILLING JIG DEPTH STOP COLLARS




ST	= on request	
Y0JG051600		Ø5
Y0JG051700		Ø8
Y0JG051800		Ø10
Y0JG051900		Ø12

DRILL BITS



HSS

 = on request


Y0JG052700

Ø5

86

Ø5

Y0JG052800

Ø8

117

Ø8

Y0JG052900

Ø10

133

Ø10

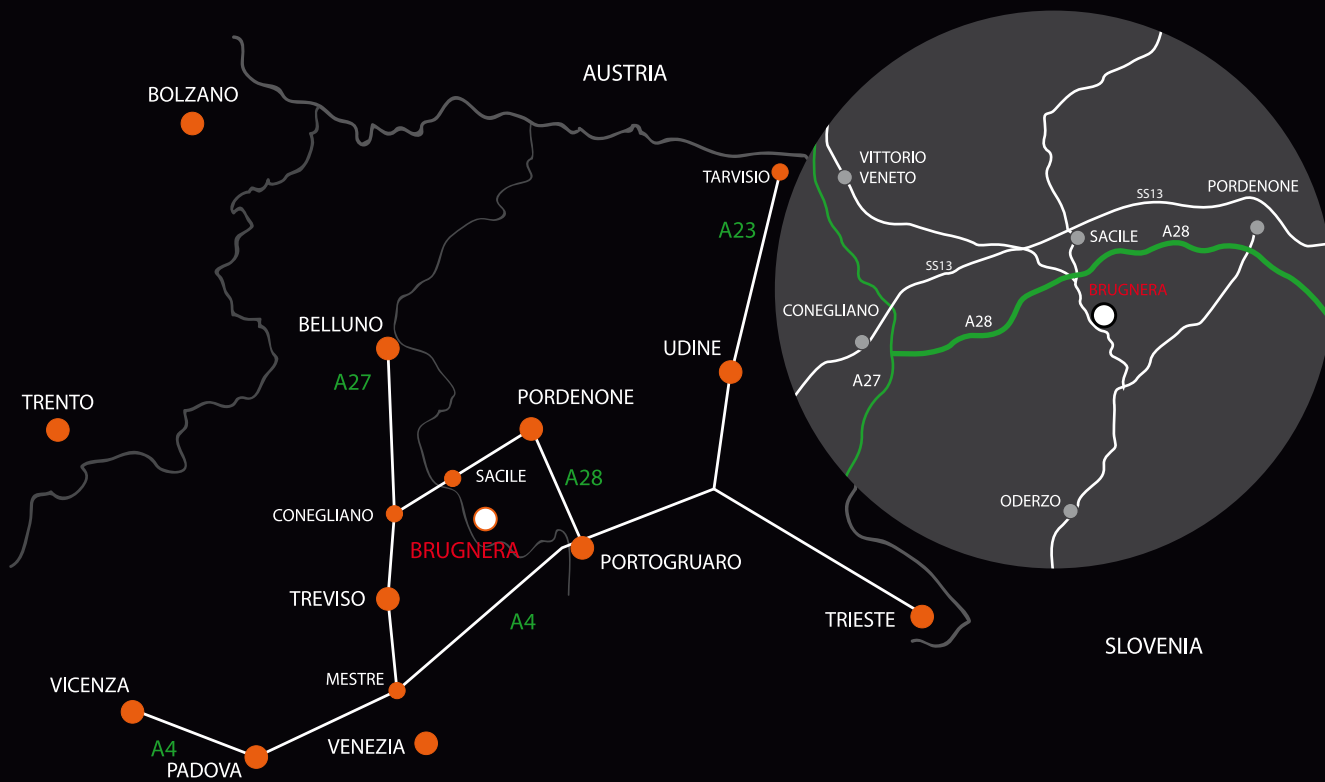
Y0JG053000

Ø12

150

Ø10

NOTE: For drilling jig we recommend to use precision-ground steel drill bit HSS-G.



www.italianaferramenta.com