

CONCEALED HANGER

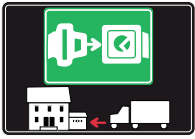


HANGERS



# SYMBOLS AND FINISHES LEGEND

## SYMBOLS



= SHELF SAFELY LOCKED DURING TRANSPORTATION AND AT HOME



= ANTI-TURNOVER LOCKING SYSTEM



= NORMS / PATENTS



= PHILLIPS / POZIDRIV



= NEWTON



= PART.NO



= HEXAGONAL SOCKET



= FRICTION



= PCS. PER PACKAGE



= BLADE SLOT



= AUTOMATIC



= COMBI SLOT



= DROP DOWN



= CAPACITY LOADING



= COUNTERSUNK HEAD



= WOOD / GLASS THICKNESS



= PAN HEAD



= STANDARD HINGE



= HOLE DIAMETER



= FLANGE HEAD



= KIMANA HINGE



= DIAMETER



= FLAT HEAD



= FLAP HINGE



= LENGTH



= TRILOBULAR SCREW



= WITH SPRING



= HEIGHT



= SELF-TAPPING SCREW



= WITHOUT SPRING



= RIGHT VERSION



= EURO THREAD



= REVERSED SPRING



= LEFT VERSION



= METRIC THREAD



= SETTING CODE



= PRE-INSERTED SCREW



= FOR ROUND TUBE



= PCS. PER PAD



= PRE-INSERTED SCREW AND SPREADING BUSH



= FOR OVAL TUBE



= CUT ON REQUEST



= WITH BUFFER



= SELF ADHESIVE



= WITH MAGNET



= WITH FLANGE

## MATERIALS

<b>ZA</b> = Zinc Alloy	<b>ST</b> = Steel	<b>HSS</b> = High Speed Steel	<b>BR</b> = Brass	<b>ABS</b> = Acrylonitrile Butadiene Styrene
<b>ZAnk</b> = Nickel-plated Zinc Alloy	<b>STzk</b> = Zinc-plated Steel	<b>AL</b> = Aluminium	<b>WD</b> = Wood	<b>EVA</b> = Ethylene Vinyl Acetate

**EP** = **ENGINEERING PLASTIC**


+ **EP** = other engineering plastic available on request

**SR** = **SOFT RUBBER**

+ **SR** = other soft rubber available on request

<b>EPn</b> = Natural Engineering Plastic	<b>EPc</b> = Clear Engineering Plastic	<b>SRn</b> = Natural Soft Rubber
<b>EPw</b> = White Engineering Plastic	<b>EPg</b> = Grey Engineering Plastic	<b>SRw</b> = White Soft Rubber
<b>EPwg</b> = Water Green Engineering Plastic		<b>SRb</b> = Black Soft Rubber

## FINISHES

+  = OTHER FINISHES AVAILABLE ON REQUEST

PART. NO	FINISHES	PART. NO	FINISHES	PART. NO	FINISHES
AA	Natural	JB	Bright Aluminium	QA	Maple
AB	White	JC	Aluminium - Chrome	QB	Walnut
AC	Opal White	JD	Matt Aluminium	UZ	T -Met
AE	White 9010	JE	Satin-finished Aluminium	WA	Bronzed
AK	Champagne	JF	Aluminium - Brass	WI	Burnished
AL	Ivory	JG	Aluminium 5	XD	Satin-finished Steel
EA	Black	JL	Aluminium PE 11	YA	Nickel-plated
EB	Glossy Black	JM	Aluminium RAL 9006	YB	Bright Nickel-plated
EC	Matt Black	KA	Chrome	YC	Matt Nickel-plated
FU	Gunmetal	KB	Bright Chrome	YD	Satin-finished Nickel-plated
GR	Raw	KC	Matt Chrome	ZA	Zinc alloy
HA	Brass-Plated	MA	Brown	ZN	Zinc-plated
HH	Tropicalized	MB	Light Brown 1	ZQ	Bright Gold
HL	Raw Brass	NN	Metallic Beige	ZY	Titanium
IA	Grey	NO	Beige	ZZ	Clear
IB	Metallic Grey	OA	Oak	00	Insignificant finish
IF	Middle Grey	OZ	Ash		
IJ	Light Grey	PA	Light Ash		
IL	Grey 20	PZ	Beech		

## CONCEALED HANGER



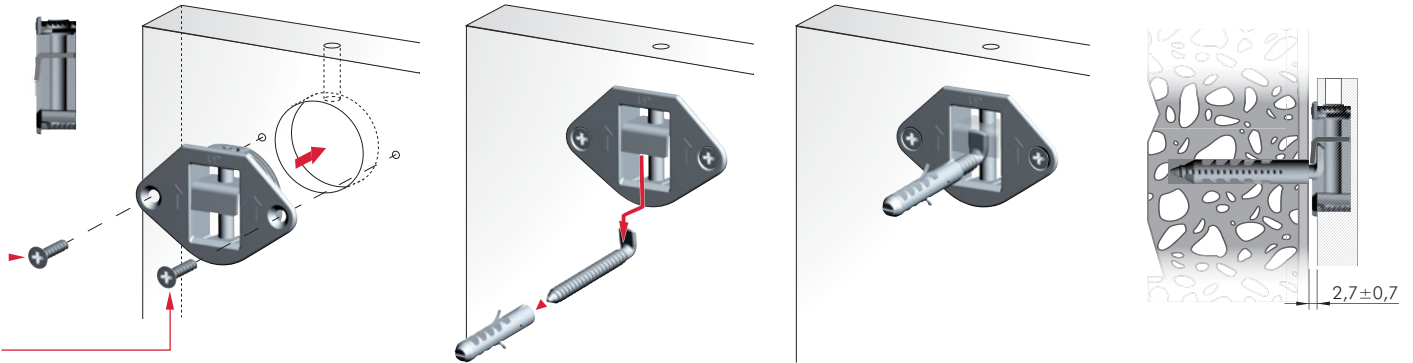
The strength and the ability to withstand the stresses of CONCEALED HANGER assume a good state of the load-bearing wall and the plaster possibly superimposed therein. It is the responsibility of the customer to verify that the wall is in condition and of sufficient quality to support the fixing and that the tools used are compatible with the surface on which CONCEALED HANGER is intended to be fixed. Italiana Ferramenta may not guarantee the strength of CONCEALED HANGER in the absence of adequacy of the load-bearing wall.

**For mirrors and panels:**  
80 Kilos per pair

**For small units** (Empirical test with unit 600 x 600 x 250 mm):  
50 Kilos per pair

### INSTALLATION ON THE REAR PANEL AND ON THE WALL

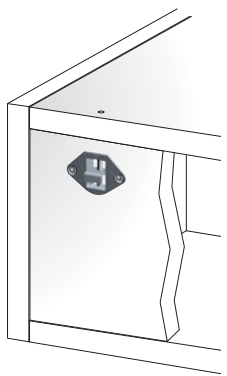
#### Flushing version for hook screw



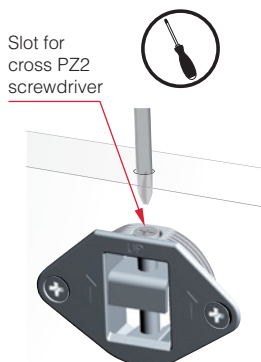
recommended fixing countersunk head wood screws  $\varnothing 3,5$  mm

It is the responsibility of the customer:  
- to ensure that the wall is of a suitable quality to hold the unit fixing in place.  
- to use the proper hardware fittings according to the construction of the wall.

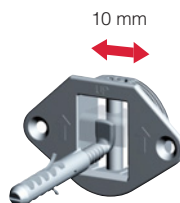
#### ALTERNATIVE APPLICATION FOR SMALL UNIT



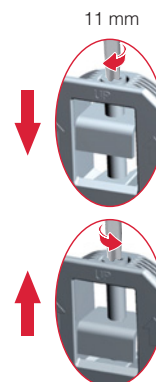
#### ADJUSTMENTS

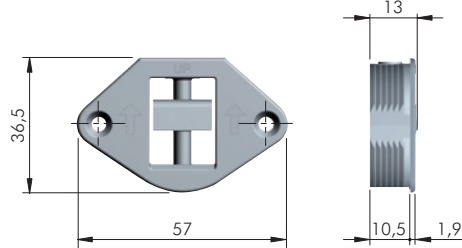
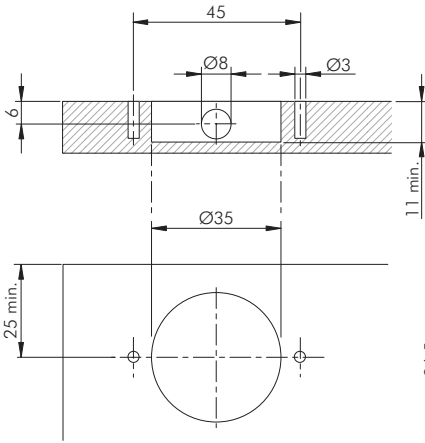


#### LATERAL ADJUSTMENT

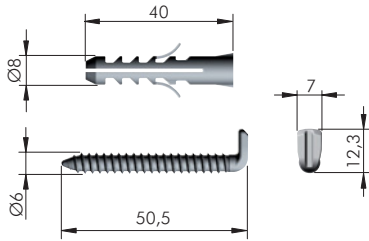


#### VERTICAL ADJUSTMENT



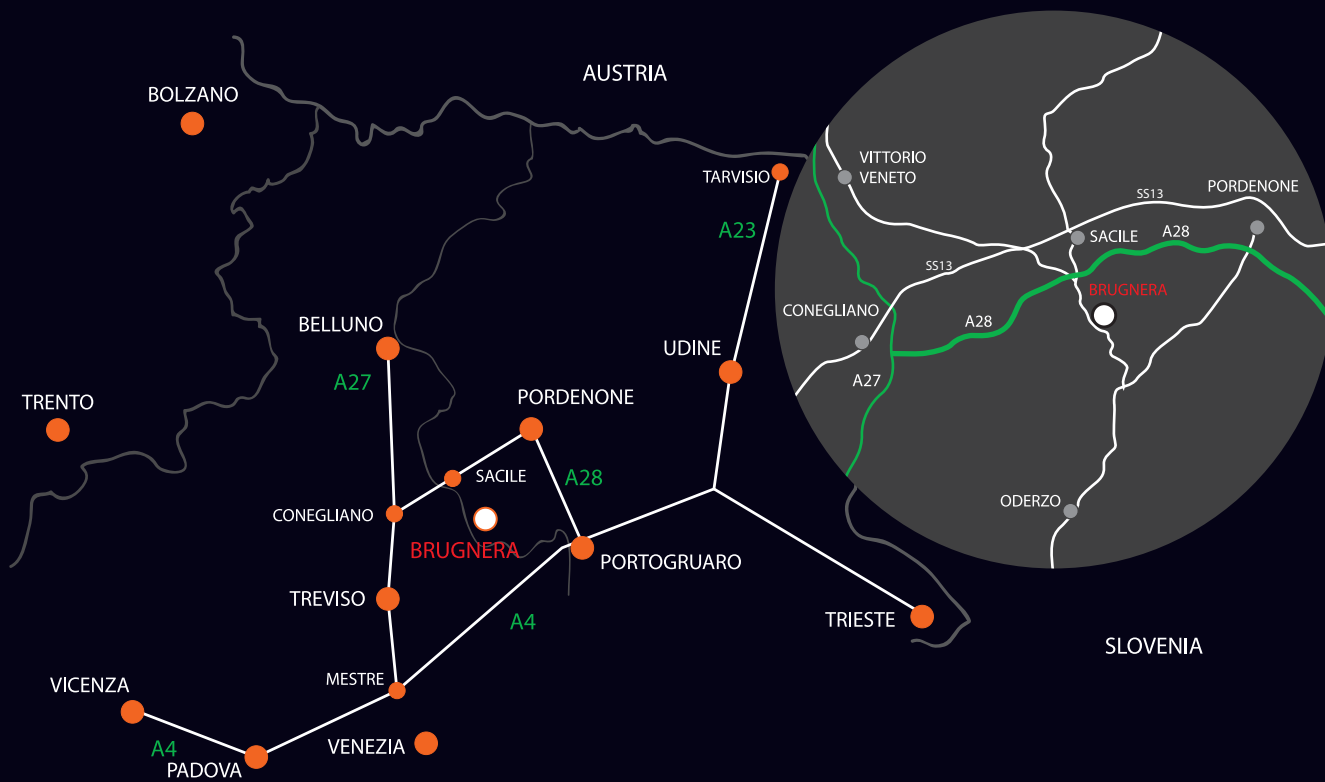


**RAWLPLUG AND SCREW**



	= PZ2				= 100 pcs.
	1 2 3				
63412030EA					

Note: flushing bracket is supplied with rawlplug and hook screw.



[www.italianaferramenta.com](http://www.italianaferramenta.com)