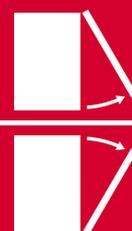


K12 SYSTEM LID STAY SYSTEM



OPENING  
SYSTEMS  
FOR FLAP AND  
DROP DOWN  
DOORS





# SYMBOLS AND FINISHES LEGEND

## SYMBOLS



= SHELF SAFELY LOCKED DURING TRANSPORTATION AND AT HOME.



= ANTI-TURNOVER LOCKING SYSTEM



= NORMS / PATENTS



= PHILLIPS / POZIDRIV



= NEWTON



= PART.NO



= HEXAGONAL SOCKET



= FRICTION



= PCS. PER PACKAGE



= BLADE SLOT



= AUTOMATIC



= COMBI SLOT



= DROP DOWN



= CAPACITY LOADING



= COUNTERSUNK HEAD



= WOOD / GLASS THICKNESS



= PAN HEAD



= STANDARD HINGE



= HOLE DIAMETER



= FLANGE HEAD



= KIMANA HINGE



= DIAMETER



= FLAT HEAD



= FLAP HINGE



= LENGTH



= TRILOBULAR SCREW



= WITH SPRING



= HEIGHT



= SELF-TAPPING SCREW



= WITHOUT SPRING



= RIGHT VERSION



= EURO THREAD



= REVERSED SPRING



= LEFT VERSION



= METRIC THREAD



= SETTING CODE



= PRE-INSERTED SCREW



= FOR ROUND TUBE



= PCS. PER PAD



= PRE-INSERTED SCREW AND SPREADING BUSH



= FOR OVAL TUBE



= CUT ON REQUEST



= WITH BUFFER



= SELF ADHESIVE



= WITH MAGNET



= WITH FLANGE

NOTE: Printing errors and omissions may exist despite our best efforts to ensure accuracy. We reserve the right to alter specifications without notice.

## MATERIALS

<b>ZA</b> = Zinc Alloy	<b>ST</b> = Steel	<b>HSS</b> = High Speed Steel	<b>BR</b> = Brass	<b>ABS</b> = Acrylonitrile Butadiene Styrene
<b>ZAnk</b> = Nickel-plated Zinc Alloy	<b>STzk</b> = Zinc-plated Steel	<b>AL</b> = Aluminium	<b>WD</b> = Wood	<b>EVA</b> = Ethylene Vinyl Acetate

**EP** = **ENGINEERING PLASTIC**

+ **EP** = other engineering plastic available on request

**SR** = **SOFT RUBBER**

+ **SR** = other soft rubber available on request

<b>EPn</b> = Natural Engineering Plastic	<b>EPc</b> = Clear Engineering Plastic	<b>SRn</b> = Natural Soft Rubber
<b>EPw</b> = White Engineering Plastic	<b>EPg</b> = Grey Engineering Plastic	<b>SRw</b> = White Soft Rubber
<b>EPwg</b> = Water Green Engineering Plastic		<b>SRb</b> = Black Soft Rubber



## FINISHES



= OTHER FINISHES AVAILABLE ON REQUEST

AA	Natural	JB	Bright Aluminium	QB	Walnut
AB	White	JC	Aluminium - Chrome	RO	Red
AC	Opal White	JD	Matt Aluminium	UZ	T -Met
AE	White 9010	JE	Satin-finished Aluminium	WA	Bronzed
AK	Champagne	JF	Aluminium - Brass	WI	Burnished
AL	Ivory	JG	Aluminium 5	XD	Satin-finished Steel
EA	Black	JL	Aluminium PE 11	YA	Nickel-plated
EB	Glossy Black	JM	Aluminium RAL 9006	YB	Bright Nickel-plated
EC	Matt Black	KA	Chrome	YC	Matt Nickel-plated
EE	Anthracite	KB	Bright Chrome	YD	Satin-finished Nickel-plated
FU	Gunmetal	KC	Matt Chrome	ZA	Zinc alloy
GR	Raw	MA	Brown	ZN	Zinc-plated
HA	Brass-Plated	MB	Light Brown 1	ZQ	Bright Gold
HH	Tropicalized	NN	Metallic Beige	ZY	Titanium
HL	Raw Brass	NO	Beige	ZZ	Clear
IA	Grey	OA	Oak	00	Insignificant finish
IB	Metallic Grey	OZ	Ash		
IF	Middle Grey	PA	Light Ash		
IJ	Light Grey	PZ	Beech		
IL	Grey 20	QA	Maple		

# CONTENTS

<b>SHELF SUPPORTS</b>			<b>1</b>
SECURY PALETTA .....	1.1	FLIPPER-BI .....	1.12
MINISECURITY .....	1.1	UNICO .....	1.16
PULL-IN CORNER BRACKET .....	1.3	SPRING .....	1.19
K LINE .....	1.4	KERALA .....	1.21
DUAL .....	1.6	MAORI .....	1.23
SHELF RETAINER .....	1.7	TRIS .....	1.30
FLIPPER .....	1.8	TRIS SIDE BRACKET ROUND LEDGE .....	1.37
PK2 .....	1.42	PK2 SIDE BRACKET ROUND LEDGE .....	1.53
BLITZ .....	1.57	BLITZ SIDE BRACKET ROUND LEDGE .....	1.64
POKER .....	1.67	SECRET MAXI .....	1.77
<b>GLASS SHELF SUPPORTS</b>			<b>2</b>
DREAM .....	2.1	ATAK .....	2.5
K LINE .....	2.2	GEKO .....	2.6
VERY .....	2.4	KRISTAL .....	2.7
OR .....	2.4	COBRA .....	2.11
PEKI .....	2.15	KUBIC .....	2.17
PULL .....	2.20		
<b>WOOD AND GLASS SHELVING SYSTEMS</b>			<b>3</b>
KAIMAN .....	3.1	TRIADE MINI .....	3.12
KAIMAN MAXI .....	3.3	TRIADE MINI AND BRACKET .....	3.14
KALABRONE .....	3.5	TRIADE .....	3.16
KALABRONE MAXI .....	3.7	TRIADE AND BRACKET .....	3.18
KALABRONE MINI .....	3.9	TRIADE MAXI .....	3.20
COBRONE .....	3.10	TRIADE MAXI AND BRACKET .....	3.22
TRIADE XXL .....	3.24	TRIADE XXL AND BRACKET .....	3.26
APPLICATION FOR ALL TRIADE VERSIONS .....	3.28	TRIADE AND TRIADE MINI ALU. PROFILE .....	3.29
TRIADE AND TRIADE MINI ALU. PROFILE .....	3.29	TRIADE MAXI AND TRIADE XXL ALU. PROFILE .....	3.21
<b>CONNECTINGS</b>			<b>4</b>
INSERT NUTS .....	4.1	PULL-IN CORNER BRACKET .....	4.7
SPREADING DOWELS .....	4.2	IN FRAME DOOR (DOOR STOP AND CORNER BRACKET) .....	4.8
DOWELS .....	4.3	SCREW FIXING JOINT FOR BOTTOM PANEL .....	4.9
SLEEVES .....	4.4	PAD .....	4.10
FLAT HEAD SLEEVE NUT AND CONNECTING SCREW .....	4.5	CROSS DOWELS .....	4.11
SLEEVE NUTS AND CONNECTING SCREWS .....	4.6	CAMS AND DOWELS .....	4.20
ELEFANT .....	4.27	TARGET J10 .....	4.31
TARGET J10 .....	4.31	TARGET J12 .....	4.35
TARGET J12 .....	4.35	SPIRAL LOCK .....	4.42
SPIRAL LOCK .....	4.42	VIS .....	4.45
VIS .....	4.45	PLINTH CLIPS .....	4.49
PLINTH CLIPS .....	4.49		
<b>WORKTOP CONNECTORS</b>			<b>5</b>
QUICK .....	5.1		
<b>SCREWS</b>			<b>6</b>
COUNTERSUNK HEAD WOOD SCREWS .....	6.1	FLANGE HEAD METRIC SCREWS .....	6.3
PAN HEAD WOOD SCREWS .....	6.1	COUNTERSUNK HEAD METRIC SCREWS .....	6.3
EURO SCREWS .....	6.2	ONE PIECE CONNECTOR SCREWS .....	6.4
ALLEN WRENCHES .....	6.6		
<b>DOOR BUFFERS AND COVER CAPS</b>			<b>7</b>
BI-MATERIAL .....	7.1	DOOR BUFFERS .....	7.2
SOFT .....	7.1	COVER CAPS .....	7.6
K-FLEX .....	7.2	ECCENTRIC HOUSING COVER CAPS .....	7.8
NIKO .....	7.9	ADHESIVE HOLE COVERS .....	7.10
ADHESIVE HOLE COVERS .....	7.10		
<b>OPENING SYSTEMS FOR LIFT UP AND DROP DOWN DOORS</b>			<b>8</b>
KRABY LIFT UP WITH STANDARD HINGES .....	8.1	COMPACT DROP DOWN W/STANDARD HINGES .....	8.50
KRABY LIFT UP W/STANDARD HINGES AND K PUSH TECH .....	8.9	COMPACT DROP DOWN W/KIMANA HINGES AND MAGNET K LOCK .....	8.54
KRABY DROP DOWN WITH STANDARD HINGES .....	8.12	COMPACT DROP DOWN W/FLAP HINGES AND MAGNET K LOCK .....	8.58
KRABY DROP DOWN W/KIMANA HINGES AND MAGNET K LOCK .....	8.16	COMPACT DROP DOWN W/STANDARD HINGES AND K PUSH TECH .....	8.61
KRABY DROP DOWN W/FLAP HINGES AND MAGNET K LOCK .....	8.20	COMPACT DROP DOWN W/KIMANA HINGES AND K PUSH TECH .....	8.64
KRABY DROP DOWN W/STANDARD HINGES AND K PUSH TECH .....	8.23	COMPACT DROP DOWN W/FLAP HINGES AND K PUSH TECH .....	8.68
KRABY DROP DOWN W/KIMANA HINGES AND K PUSH TECH .....	8.26	COMPACT BRACKETS .....	8.71
KRABY DROP DOWN W/FLAP HINGES AND K PUSH TECH .....	8.30	COMPACT ADAPTERS FOR ALUMINIUM FRAME DOOR .....	8.72
KRABY BRACKETS .....	8.33	<b>K12 SYSTEM LIFT UP WITH STANDARD HINGES .....</b>	<b>8.76</b>
KRABY ADAPTERS FOR ALUMINIUM FRAME DOOR .....	8.35	<b>K12 SYSTEM BRACKETS .....</b>	<b>8.80</b>
COMPACT LIFT UP WITH STANDARD HINGES .....	8.39	<b>K12 SYSTEM LIFT UP W/STANDARD HINGES AND K PUSH TECH .....</b>	<b>8.82</b>
COMPACT LIFT UP W/STANDARD HINGES AND K PUSH TECH .....	8.47	<b>K12 SYSTEM DROP DOWN WITH STANDARD HINGES .....</b>	<b>8.85</b>
<b>K12 SYSTEM BRACKETS .....</b>	<b>8.89</b>	<b>K12 SYSTEM DROP DOWN W/KIMANA HINGES AND MAGNET K LOCK .....</b>	<b>8.91</b>
<b>K12 SYSTEM DROP DOWN W/KIMANA HINGES AND MAGNET K LOCK .....</b>	<b>8.91</b>	<b>K12 SYSTEM DROP DOWN W/FLAP HINGES AND MAGNET K LOCK .....</b>	<b>8.95</b>
<b>K12 SYSTEM DROP DOWN W/FLAP HINGES AND MAGNET K LOCK .....</b>	<b>8.95</b>	<b>K12 SYSTEM DROP DOWN W/STANDARD HINGES AND K PUSH TECH .....</b>	<b>8.98</b>
<b>K12 SYSTEM DROP DOWN W/STANDARD HINGES AND K PUSH TECH .....</b>	<b>8.98</b>	<b>K12 SYSTEM DROP DOWN W/KIMANA HINGES AND K PUSH TECH .....</b>	<b>8.101</b>
<b>K12 SYSTEM DROP DOWN W/KIMANA HINGES AND K PUSH TECH .....</b>	<b>8.101</b>	<b>K12 SYSTEM DROP DOWN W/FLAP HINGES AND K PUSH TECH .....</b>	<b>8.105</b>
<b>K12 SYSTEM DROP DOWN W/FLAP HINGES AND K PUSH TECH .....</b>	<b>8.105</b>	<b>K12 SYSTEM ADAPTERS FOR ALUMINIUM FRAME DOOR .....</b>	<b>8.108</b>
<b>K12 SYSTEM ADAPTERS FOR ALUMINIUM FRAME DOOR .....</b>	<b>8.108</b>	<b>LINK .....</b>	<b>8.112</b>
<b>LINK .....</b>	<b>8.112</b>		
<b>PUSH CATCHES AND MAGNETIC CATCHES</b>			<b>9</b>
K PUSH TECH .....	9.1	K LOCK .....	9.13
K LOCK .....	9.13	K PUSH TECH AND K LOCK DOOR PLATES .....	9.16
<b>LEVELLERS</b>			<b>10</b>
INTEGRATO WITH ZINC ALLOY FOOT .....	10.1	DEDALO .....	10.20
INTEGRATO WITH ENGINEERING PLASTIC FOOT .....	10.7	LEVELLER Ø14 .....	10.23
INTEGRATO SPACERS .....	10.16	REKORD 12 .....	10.28
INTEGRATO Z .....	10.18	ATACAMA .....	10.34
ATACAMA J .....	10.38	ATACAMA J WITH HEIGHT ADAPTER .....	10.43
<b>HINGES</b>			<b>11</b>
KIMANA .....	11.1	KIMANA ADAPTERS .....	11.5
KIMANA ADAPTERS .....	11.5	KIMANA SPACERS .....	11.7
<b>HANGERS</b>			<b>12</b>
LIBRA H1 .....	12.3	LIBRA H7 SCREW FIXING .....	12.27
LIBRA H2 .....	12.5	LIBRA H7 DOWEL FIXING W/ALUMINIUM BAR LIVING SETTINGS .....	12.30
LIBRA H3 .....	12.8	LIBRA H7 DOWEL FIXING W/ALUMINIUM BAR .....	12.31
LIBRA H4 .....	12.11	SPACERS FOR LIBRA H7 ALU BAR H. 80,5 .....	12.40
LIBRA H6 .....	12.17	LIBRA H7 SCREW FIXING W/"PEG JOINT" FOR ALUMINIUM BAR .....	12.41
LIBRA CH .....	12.21	LIBRA H7 DOWEL FIXING WITHOUT "PEG JOINT" .....	12.43
LIBRA WALL PLATES .....	12.48	LIBRA COVER CAPS .....	12.50
LIBRA COVER CAPS .....	12.50	LIBRA BS .....	12.54
LIBRA BS .....	12.54	LIBRA BS LEVELLER .....	12.65
LIBRA BS LEVELLER .....	12.65	LIKU .....	12.69
LIKU .....	12.69		
<b>WARDROBE TUBES SUPPORTS</b>			<b>13</b>
WARDROBE TUBES SUPPORTS .....	13.1	ELITE .....	13.2
ELITE .....	13.2	LEADER .....	13.3
LEADER .....	13.3		

## K12 SYSTEM LIFT UP WITH STANDARD SPRUNG HINGES

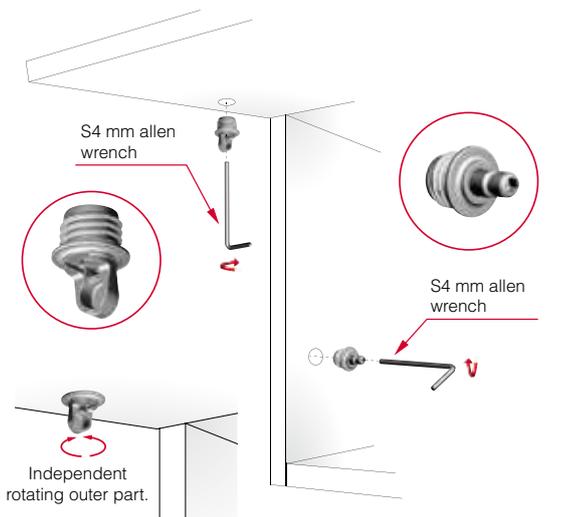


REGISTERED DESIGN  
EN 15828/2010

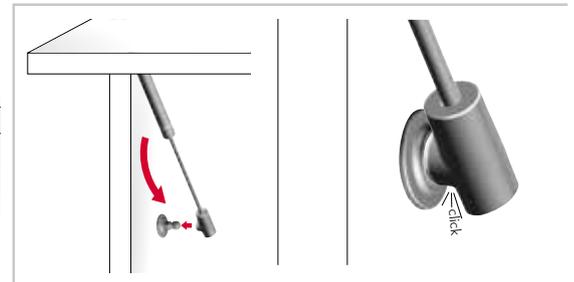
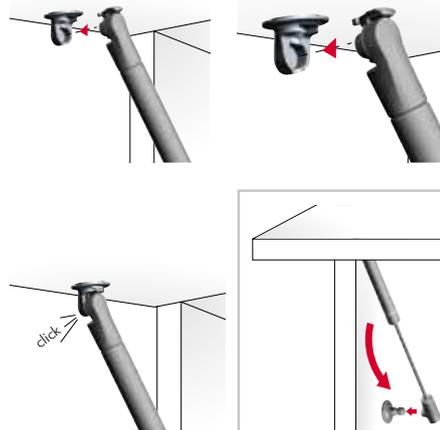
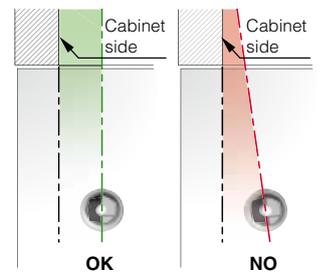


### BRACKET Ø15 INSTALLATION

- For details refer to "K12 SYSTEM BRACKETS".

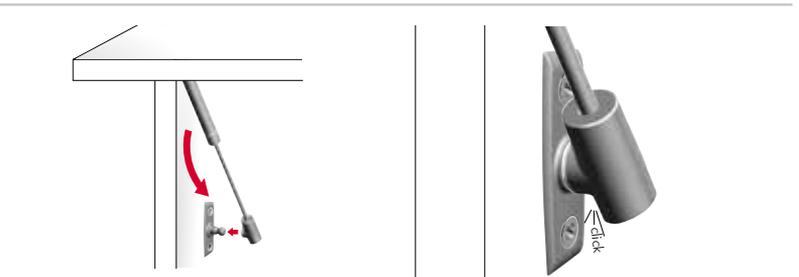
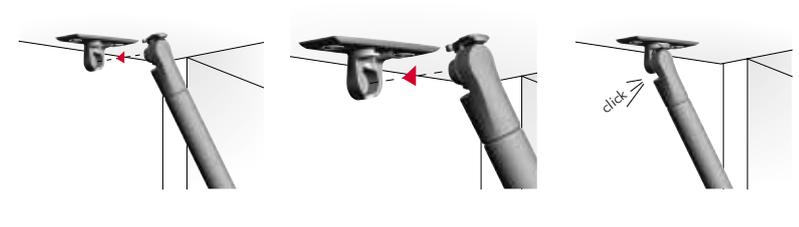
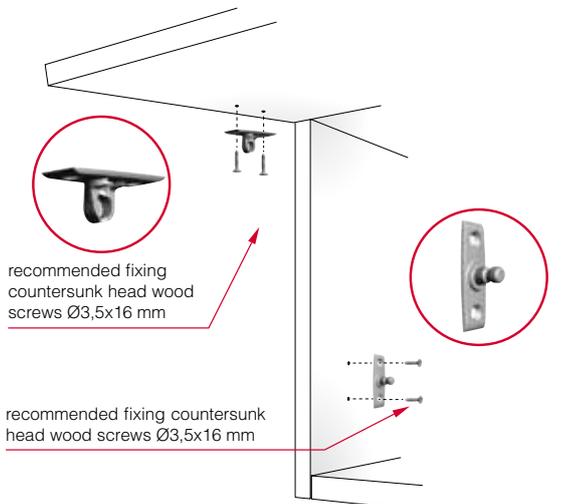


### VERY IMPORTANT



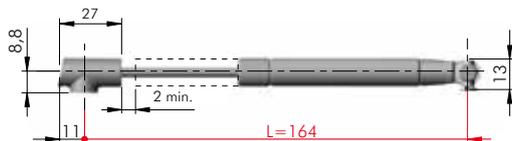
### SCREW FIXING BRACKETS INSTALLATION

- For details refer to "K12 SYSTEM BRACKETS".





## K12 SYSTEM 164 mm - LIFT UP - Automatic version



ZAnk EP ST

= 100 pcs.



**N**

48010420UZ 50  
48010460UZ 80  
48010500UZ 100  
48010540UZ 120

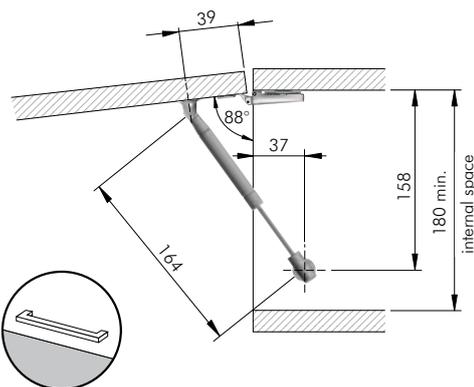


Rev. 01

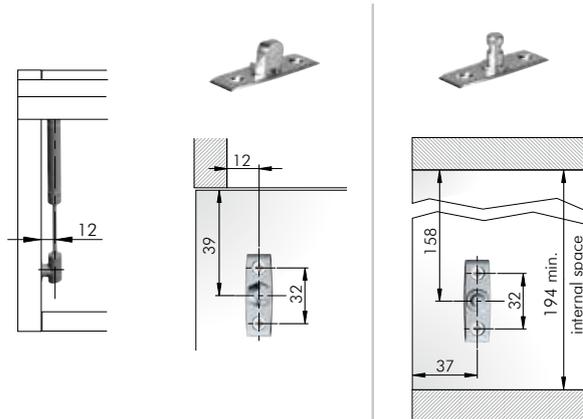
h	Door weight (Kg)															
	1	1,5	2	2,5	3	3,5	4	4,5	5	5,5	6	6,5	7	7,5	8	8,5
200	2 x 50N						2 x 100N		2 x 120N		3 x 120N		4 x 100N		4 x 120N	
250	2 x 50N			2 x 80N			2 x 100N		2 x 120N		3 x 120N		4 x 100N		4 x 120N	
300	2 x 50N		2 x 80N		2 x 100N		2 x 120N		3 x 100N		3 x 120N		4 x 100N		4 x 120N	

These are experimental results to be checked by the customer. Our Technical Department is at your disposal to test further cases out of this chart.

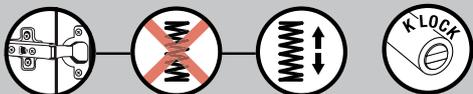
### BRACKETS Ø15:



### SCREW FIXING BRACKETS:

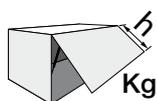


The dimensions of the above drilling plan refer to carcasses which use **standard sprung or unsprung hinges** and mounting plates 0 mm. Please note that the opening angle shown data is purely indicative. It varies with respect to the hinge brand and adjustment carried out.



Please note that in case of use of **unsprung or negative hinges**, **magnet K Lock** is required. For details refer to section "PUSH CATCHES & MAGNETIC CATCHES".

## K12 SYSTEM 244 mm - LIFT UP - Automatic version



ZAnk EP ST = 50 pcs.

48020420UZ	50
48020460UZ	80
48020480UZ	100
48020500UZ	120
48020540UZ	140
48020560UZ	160
48020580UZ	180

Rev. 01

h	Door weight (Kg)																																	
	1	1,5	2	2,5	3	3,5	4	4,5	5	5,5	6	6,5	7	7,5	8	8,5	9	9,5	10	10,5	11	11,5	12	12,5	13	13,5	14	14,5	15	15,5	16	16,5	17	17,5
300	1 x 50N	1 x 80N	2 x 50N	2 x 80N				2 x 100N		2 x 120N	2 x 140N	2 x 160N	2 x 180N				3 x 140N		3 x 160N															
350	1 x 50N	1 x 80N	2 x 50N	2 x 80N				2 x 100N		2 x 120N	2 x 140N	2 x 160N	2 x 180N				3 x 140N		3 x 160N															
400	1 x 50N	1 x 80N	2 x 50N	2 x 80N		2 x 100N		2 x 120N		2 x 140N		2 x 160N		2 x 180N				3 x 140N				3 x 160N												
450	1 x 50N	2 x 50N		2 x 80N		2 x 100N		2 x 120N		2 x 140N		2 x 160N		2 x 180N				3 x 160N		3 x 180N		4 x 160N		4 x 180N										
500	1 x 50N	2 x 50N		2 x 80N		2 x 100N		2 x 120N		2 x 140N		2 x 160N		2 x 180N		3 x 160N				3 x 180N		4 x 160N		4 x 180N										

8

These are experimental results to be checked by the customer. Our Technical Department is at your disposal to test further cases out of this chart.

### BRACKETS Ø15:

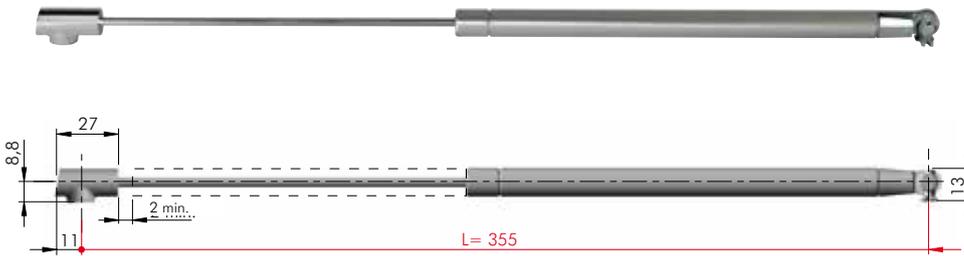
### SCREW FIXING BRACKETS:

The dimensions of the above drilling plan refer to carcasses which use **standard sprung or unsprung hinges** and mounting plates 0 mm. Please note that the opening angle shown data is purely indicative. It varies with respect to the hinge brand and adjustment carried out.

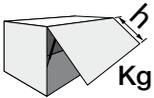
Please note that in case of use of **unsprung or negative hinges**, magnet **K Lock** is required. For details refer to section "PUSH CATCHES & MAGNETIC CATCHES".



## K12 SYSTEM 355 mm - LIFT UP - Automatic version



ZAnk	EP	ST	= 50 pcs.
		<b>N</b>	
48030430UZ		60	
48030470UZ		90	
48030490UZ		110	



Rev. 01

h	Door weight (Kg)																																	
	1	1,5	2	2,5	3	3,5	4	4,5	5	5,5	6	6,5	7	7,5	8	8,5	9	9,5	10	10,5	11	11,5	12	12,5	13	13,5	14	14,5	15	15,5	16	16,5	17	17,5
400	1 x 60N		1 x 90N		2 x 60N				2 x 90N				2 x 110N				3 x 110N																	
450	1 x 60N		1 x 90N		2 x 60N				2 x 90N				2 x 110N				3 x 110N				4 x 110N													
500	1 x 60N		1 x 90N		2 x 60N				2 x 90N				2 x 110N				3 x 110N				4 x 110N													
550	1 x 60N		1 x 90N		2 x 60N		2 x 90N			2 x 110N			3 x 110N						4 x 110N															
600	1 x 90N		2 x 60N		2 x 90N		2 x 110N			3 x 110N						4 x 110N																		

These are experimental results to be checked by the customer. Our Technical Department is at your disposal to test further cases out of this chart.

### BRACKETS Ø15:

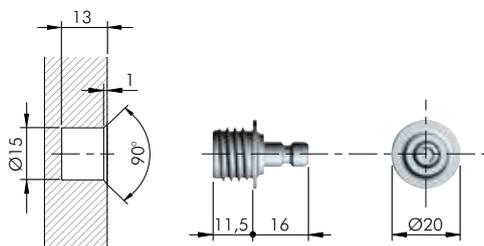
### SCREW FIXING BRACKETS:

The dimensions of the above drilling plan refer to carcasses which use **standard sprung or unsprung hinges** and mounting plates 0 mm. Please note that the opening angle shown data is purely indicative. It varies with respect to the hinge brand and adjustment carried out.

Please note that in case of use of **unsprung or negative hinges**, magnet **K Lock** is required. For details refer to section "PUSH CATCHES & MAGNETIC CATCHES".



## K12 SYSTEM BRACKETS



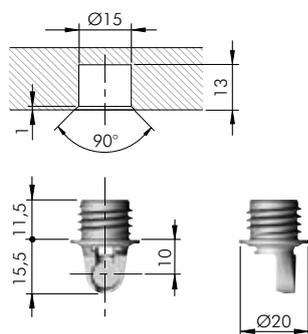
 = Ø 15 mm

ZA

 = 50 pcs.



48040120YA



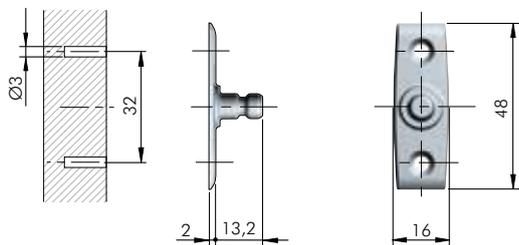
 = Ø 15 mm

ZA

 = 50 pcs.



48040160YA

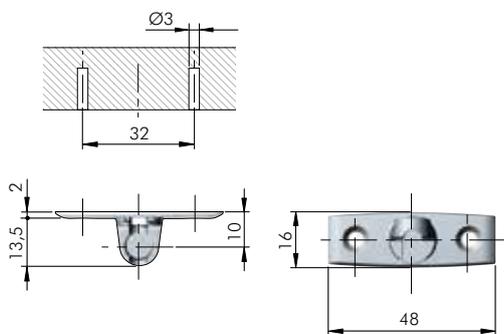


 = Ø 3 mm

ZA



48080120YA



 = Ø 3 mm

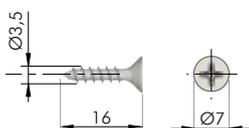
ZA



48080100YA



## K12 SYSTEM FIXING ACCESSORY



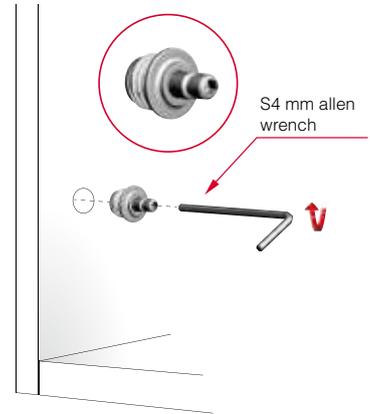
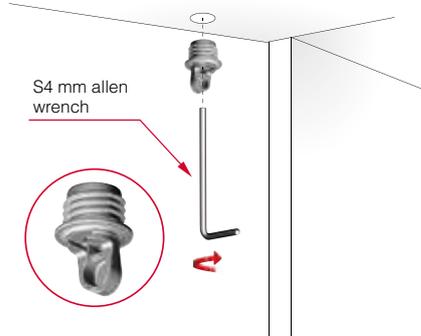
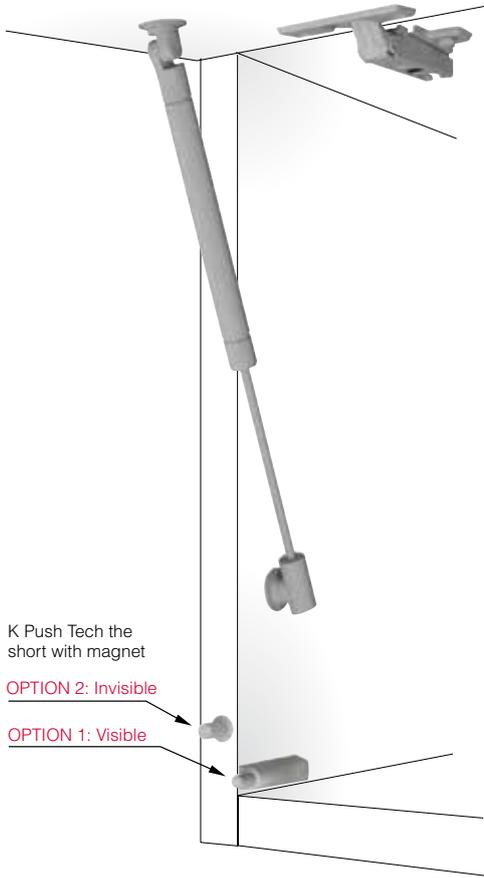
	= Ø 3 mm		
			= PZ2
ST		= 10.000 pcs.	
			
60101390YA			

## K12 SYSTEM LIFT UP WITH STANDARD UNSPRUNG OR NEGATIVE HINGES AUTOMATIC OPENING DOOR WITH K PUSH TECH THE SHORT WITH MAGNET



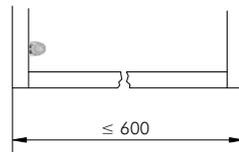
### INSTALLATION

- For details refer to "K12 SYSTEM BRACKETS".

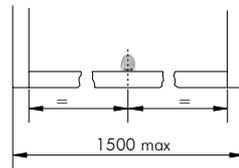


### INSTALLATION OF K PUSH TECH THE SHORT WITH MAGNET THROUGH ADAPTER HOUSING

#### OPTION 1: VISIBLE

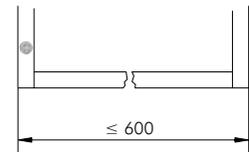


1 piece for door width ≤ 600 mm to be placed on same side as the K12 System.

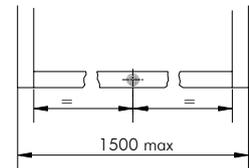


### INSTALLATION OF K PUSH TECH THE SHORT WITH MAGNET TO BE EMBEDDED INSIDE THE PANEL

#### OPTION 2: INVISIBLE



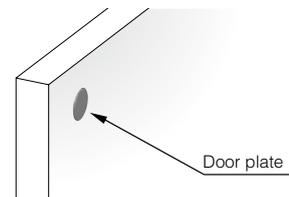
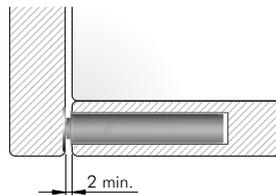
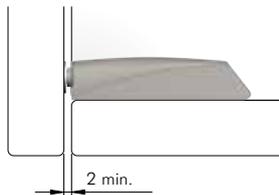
1 piece for door width ≤ 600 mm to be placed on same side as the K12 System.



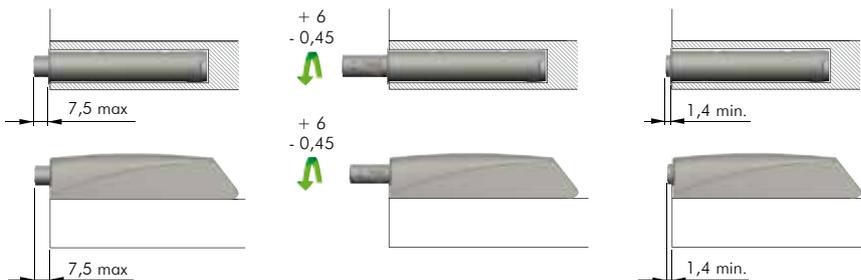
- Our technical department is at your disposal to test wider doors.

### K PUSH TECH THE SHORT WITH MAGNET VISIBLE OR INVISIBLE VERSION AND K PUSH TECH PLATE FOR THE DOOR

- For details refer to section "PUSH CATCHES & MAGNETIC CATCHES".



### K PUSH TECH ADJUSTMENTS





## K12 SYSTEM 164 mm - LIFT UP - Automatic version

**BRACKETS Ø15:**

**K Push Tech the short with magnet visible or invisible**

**SCREW FIXING BRACKETS:**

The dimensions of the drilling plan refer to carcasses which use **standard unsprung or negative hinges** and mounting plates 0 mm. Please note that the opening angle shown data is purely indicative. It varies with respect to the hinge brand and adjustment carried out.

For pistons quantity and strength to be chosen according to door size, refer to the chart for "K12 SYSTEM 164 mm - LIFT UP - Automatic version".

Please note that utilization with **standard sprung hinges** and **K Push Tech with buffer** is also possible. In such case, after the door is initially released by K Push Tech, a manual opening approx. 7cm is required (in order to win the spring resistance). Consequently, the door will automatically open to the fullest. For details refer to section "PUSH CATCHES & MAGNETIC CATCHES".



## K12 SYSTEM 244 mm - LIFT UP - Automatic version

**BRACKETS Ø15:**

**K Push Tech the short with magnet visible or invisible**

**SCREW FIXING BRACKETS:**

The dimensions of the drilling plan refer to carcasses which use **standard unsprung or negative hinges** and mounting plates 0 mm. Please note that the opening angle shown data is purely indicative. It varies with respect to the hinge brand and adjustment carried out.

For pistons quantity and strength to be chosen according to door size, refer to the chart for "K12 SYSTEM 244 mm - LIFT UP - Automatic version".

Please note that utilization with **standard sprung hinges** and **K Push Tech with buffer** is also possible. In such case, after the door is initially released by K Push Tech, a manual opening approx. 7cm is required (in order to win the spring resistance). Consequently, the door will automatically open to the fullest. For details refer to section "PUSH CATCHES & MAGNETIC CATCHES".



## K12 SYSTEM 355 mm - LIFT UP - Automatic version

**BRACKETS Ø15:**

K Push Tech the short with magnet visible or invisible

**SCREW FIXING BRACKETS:**

The dimensions of the drilling plan refer to carcasses which use **standard unsprung or negative hinges** and mounting plates 0 mm. Please note that the opening angle shown data is purely indicative. It varies with respect to the hinge brand and adjustment carried out.

For pistons quantity and strength to be chosen according to door size, refer to the chart for "K12 SYSTEM 355 mm - LIFT UP - Automatic version".

Please note that utilization with **standard sprung hinges** and **K Push Tech with buffer** is also possible. In such case, after the door is initially released by K Push Tech, a manual opening approx. 7cm is required (in order to win the spring resistance). Consequently, the door will automatically open to the fullest. For details refer to section "PUSH CATCHES & MAGNETIC CATCHES".



## K12 SYSTEM DROP DOWN WITH STANDARD SPRUNG HINGES

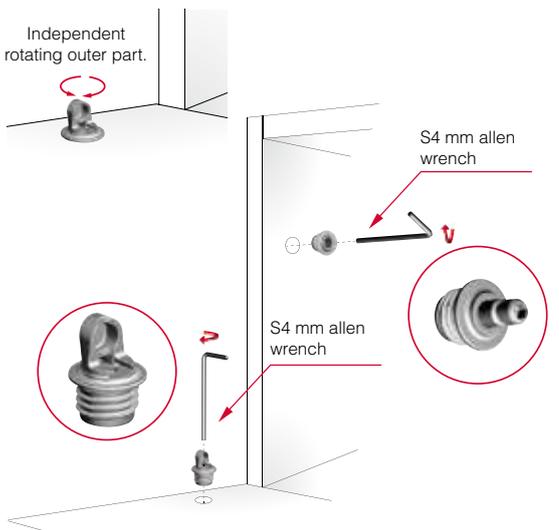


REGISTERED DESIGN  
EN 15828/2010

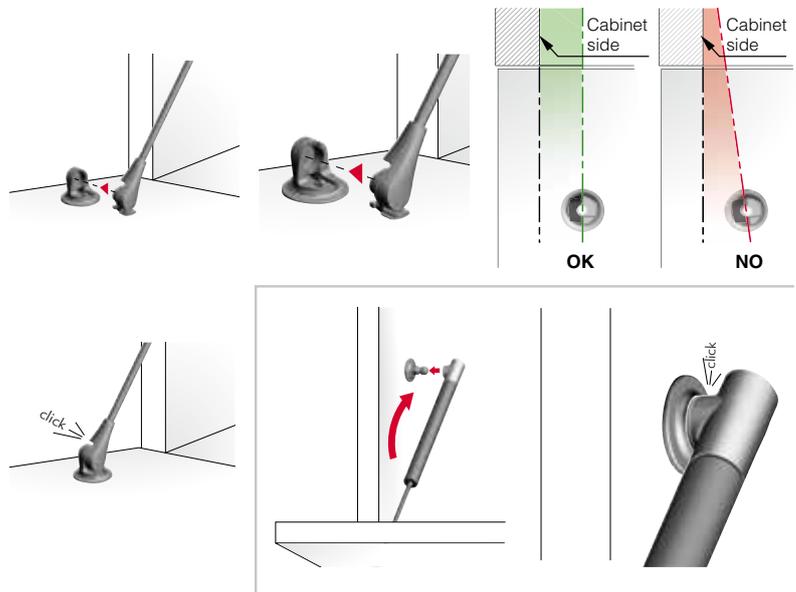


### BRACKET Ø15 INSTALLATION

- For details refer to "K12 SYSTEM BRACKETS".

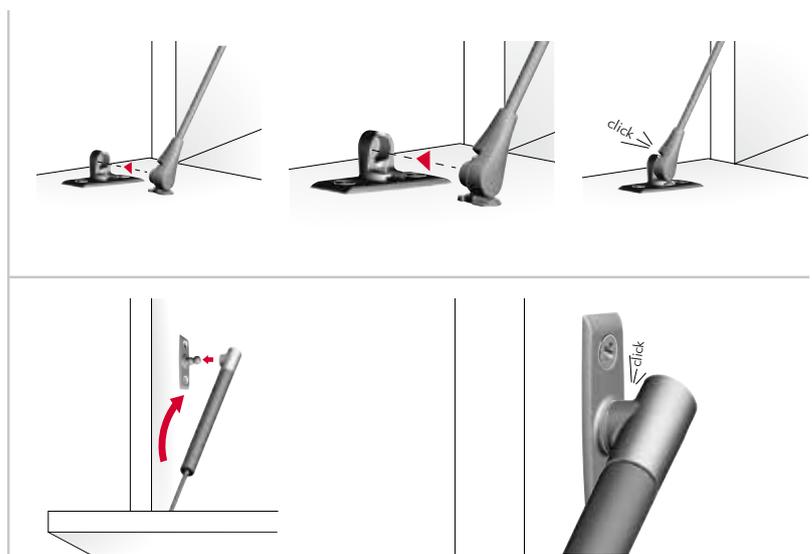
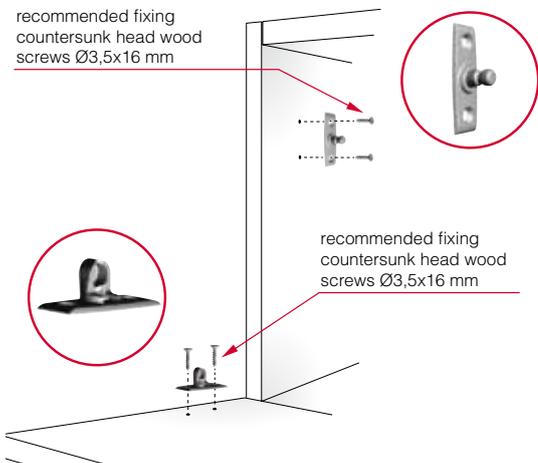


### VERY IMPORTANT



### SCREW FIXING BRACKETS INSTALLATION

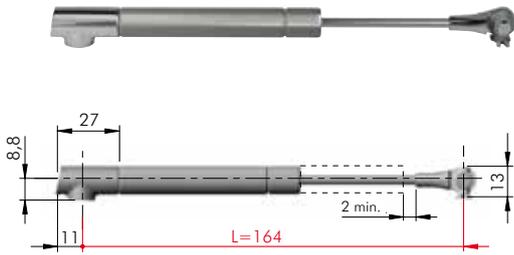
- For details refer to "K12 SYSTEM BRACKETS".



8



## K12 SYSTEM 164 mm - DROP DOWN

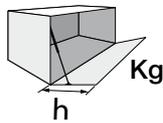


ZAnk EP ST

= 100 pcs.

48050200UZ

0



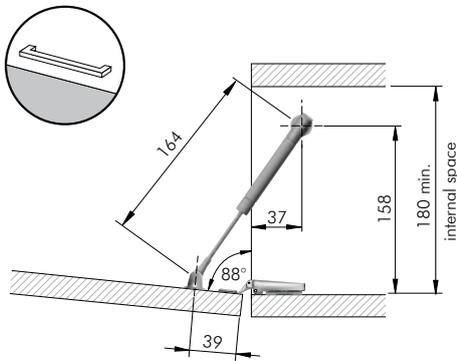
Rev. 01

h	Door weight (Kg)										
	1	2	3	4	5	6	7	8	9	10	11
200	1 x K12	2 x K12		3 x K12			4 x K12				
250	1 x K12	2 x K12		3 x K12		4 x K12					
300	1 x K12	2 x K12		3 x K12		4 x K12					

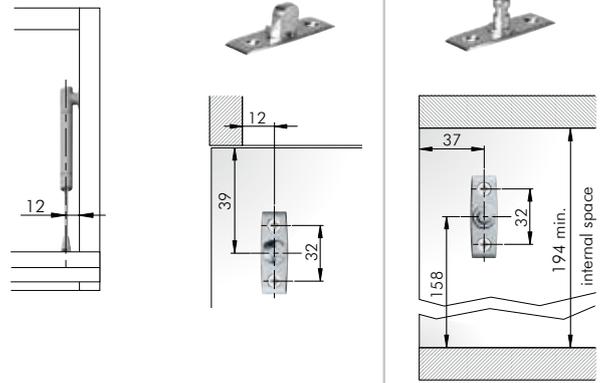
These are experimental results to be checked by the customer. **In accordance with the actual European regulation, we suggest to use at least two stays for each door.** Our technical department is at your disposal to test further cases out of this chart.

8

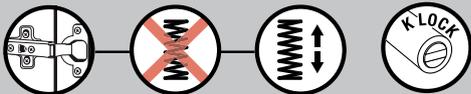
### BRACKETS Ø15:



### SCREW FIXING BRACKETS:



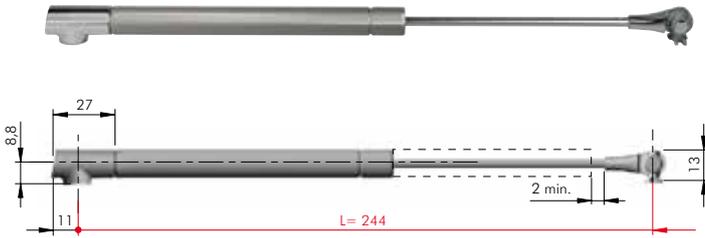
The dimensions of the drilling plan refer to carcasses which use **standard sprung hinges** and mounting plates 0 mm. Please note that the opening angle shown data is purely indicative. It varies with respect to the hinge brand and adjustment carried out.



Please note that in case of use of **unsprung or negative hinges**, magnet **K Lock** is required. For details refer to section "PUSH CATCHES & MAGNETIC CATCHES".

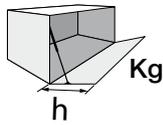


## K12 SYSTEM 244 mm - DROP DOWN



ZAnk EP ST

= 50 pcs.

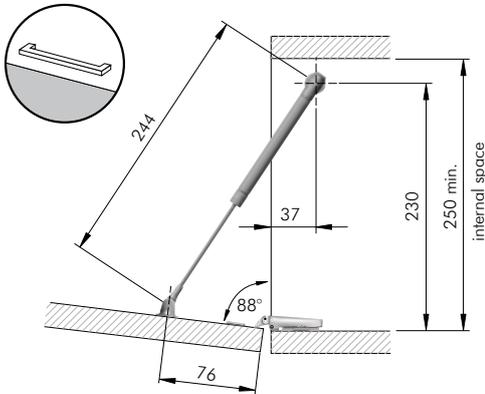


Rev. 02

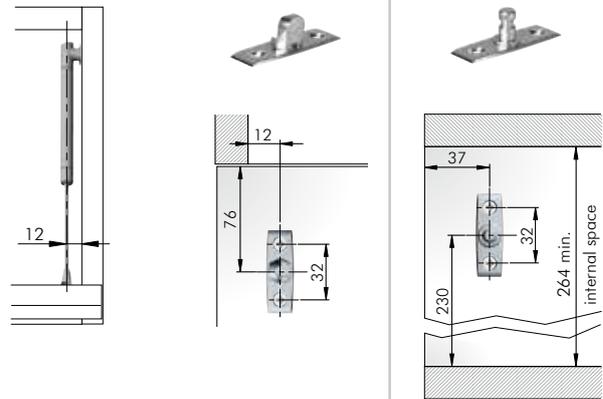
h	Door weight (Kg)																	
	1	2	3	4	5	6	7	8	9	10	11	12	13	14	15	16	17	18
300	1 x K12			2 x K12			3 x K12			4 x K12								
350	1 x K12	2 x K12				3 x K12			4 x K12									
400	1 x K12	2 x K12		3 x K12			4 x K12											
450	1 x K12	2 x K12	3 x K12			4 x K12												
500	1 x K12	2 x K12	3 x K12		4 x K12													

These are experimental results to be checked by the customer. **In accordance with the actual European regulation, we suggest to use at least two stays for each door.** Our technical department is at your disposal to test further cases out of this chart.

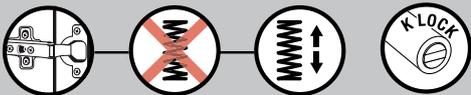
### BRACKETS Ø15:



### SCREW FIXING BRACKETS:



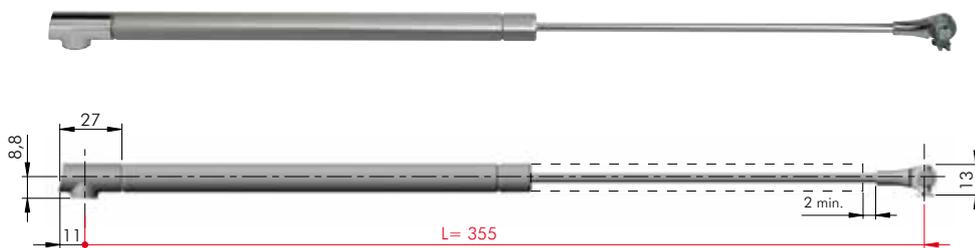
The dimensions of the drilling plan refer to carcasses which use **standard sprung hinges** and mounting plates 0 mm. Please note that the opening angle shown data is purely indicative. It varies with respect to the hinge brand and adjustment carried out.



Please note that in case of use of **unsprung or negative hinges**, **magnet K Lock** is required. For details refer to section "PUSH CATCHES & MAGNETIC CATCHES".



## K12 SYSTEM 355 mm - DROP DOWN



ZAnk EP ST

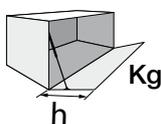
 = 50 pcs.



48070200UZ



0



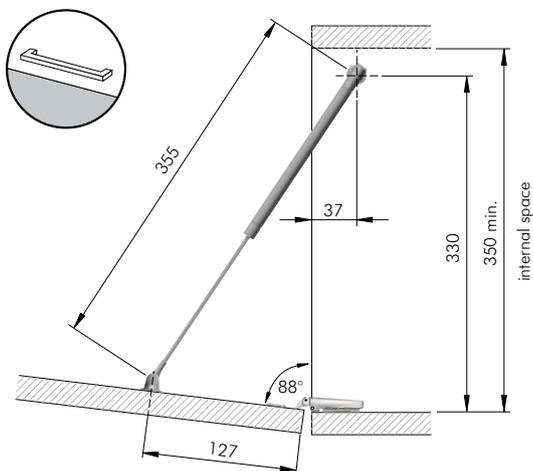
h	Door weight (Kg)																	
	1	2	3	4	5	6	7	8	9	10	11	12	13	14	15	16	17	18
400					1 x K12				2 x K12					3 x K12				
450					1 x K12				2 x K12					3 x K12				4 x K12
500				1 x K12				2 x K12					3 x K12					4 x K12
550			1 x K12			2 x K12				3 x K12								4 x K12
600	1 x K12					2 x K12				3 x K12						4 x K12		

Rev. 01

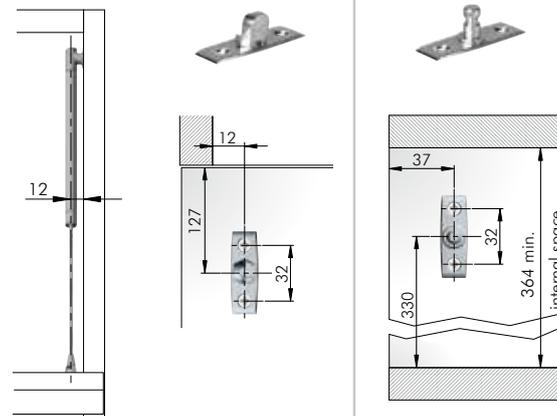
These are experimental results to be checked by the customer. In accordance with the actual European regulation, we suggest to use at least two stays for each door. Our technical department is at your disposal to test further cases out of this chart.

8

### BRACKETS Ø15:

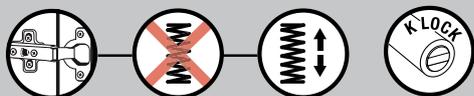


### SCREW FIXING BRACKETS:



The dimensions of the drilling plan refer to carcasses which use **standard sprung hinges** and mounting plates 0 mm.

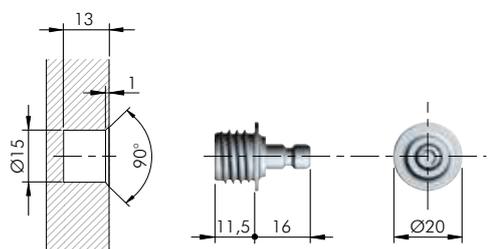
Please note that the opening angle shown data is purely indicative. It varies with respect to the hinge brand and adjustment carried out.



Please note that in case of use of **unsprung or negative hinges**, **magnet K Lock** is required. For details refer to section "PUSH CATCHES & MAGNETIC CATCHES".



## K12 SYSTEM BRACKETS



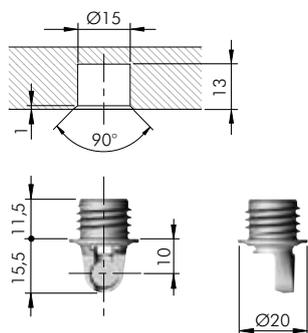
= Ø 15 mm

ZA

= 50 pcs.



48040120YA



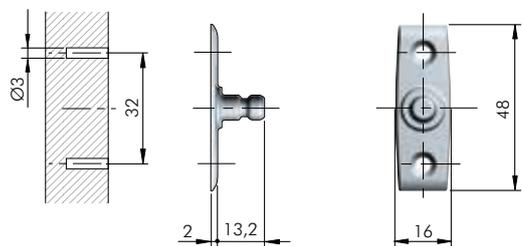
= Ø 15 mm

ZA

= 50 pcs.



48040160YA

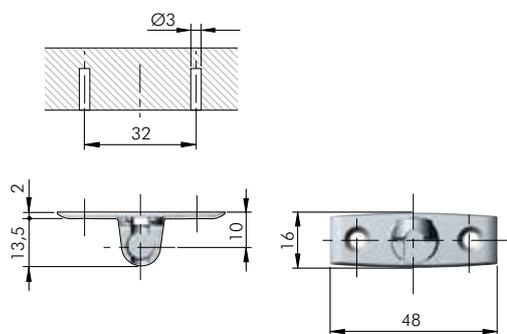


= Ø 3 mm

ZA



48080120YA



= Ø 3 mm

ZA

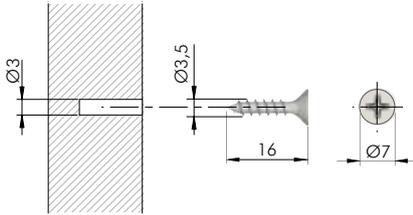


48080100YA

8



## K12 SYSTEM FIXING ACCESSORIES



	= $\varnothing 3$ mm		
			= PZ2
ST			= 10.000 pcs.
			
60101390YA			

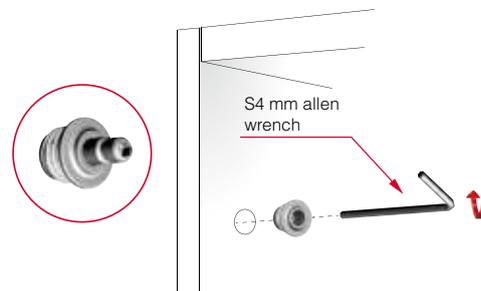
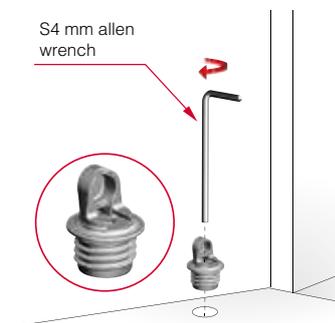


## K12 SYSTEM DROP DOWN WITH KIMANA HINGES AND MAGNET K LOCK

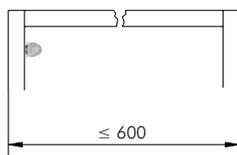


### INSTALLATION

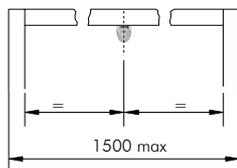
- For details refer to "K12 SYSTEM BRACKETS".



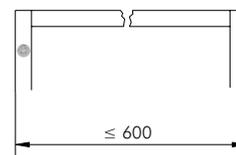
### INSTALLATION OF MAGNET K LOCK THROUGH ADAPTER HOUSING OPTION 1: VISIBLE



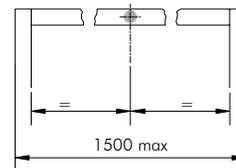
1 piece for door width ≤ 600 mm to be placed on same side as the K12 System.



### INSTALLATION OF MAGNET K LOCK TO BE EMBEDDED INSIDE THE PANEL OPTION 2: INVISIBLE



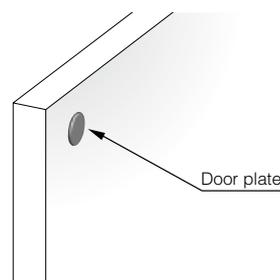
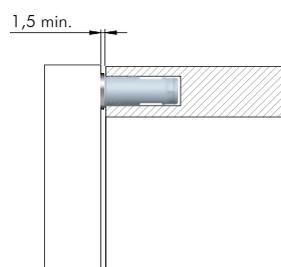
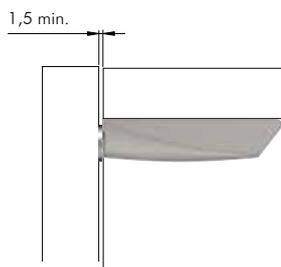
1 piece for door width ≤ 600 mm to be placed on same side as the K12 System.



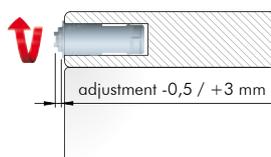
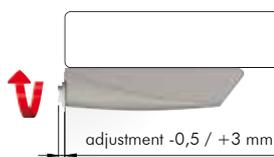
- Our technical department is at your disposal to test wider doors.

### MAGNET K LOCK VISIBLE OR INVISIBLE VERSION AND K LOCK PLATE FOR THE DOOR

- For details refer to section "PUSH CATCHES & MAGNETIC CATCHES".



### K LOCK ADJUSTMENTS





## K12 SYSTEM 164 mm - DROP DOWN

**BRACKETS Ø15:**

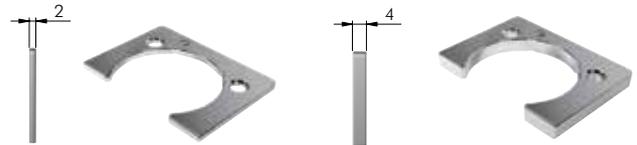
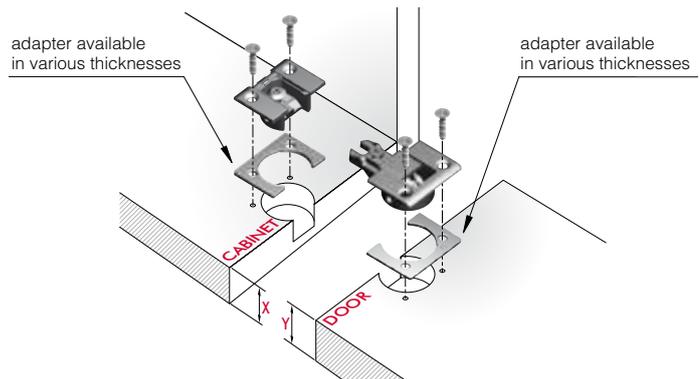
**SCREW FIXING BRACKETS:**

The dimensions of the above drilling plan refer to carcasses which use **Kimana hinges**.

**VERY IMPORTANT:** for Kimana hinges at least 2 K12 System stays are required for any door width.

For pistons quantity to be specified according to door size, refer to the chart for "K12 System 164 mm - DROP DOWN".

X +	Y +	L1
16 + 4	16 + 2	129
16 + 4	19	131
18 + 2	19	129
19	16 + 2	125
19	19	127
20	20	127



For Kimana and adapter details refer to section "HINGES".



## K12 SYSTEM 244 mm - DROP DOWN

**BRACKETS Ø15:**

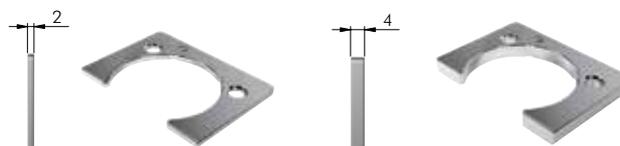
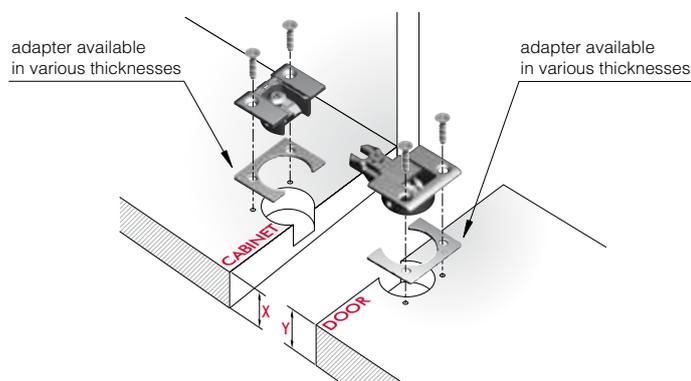
**SCREW FIXING BRACKETS:**

The dimensions of the above drilling plan refer to carcasses which use **Kimana hinges**.

**VERY IMPORTANT:** for Kimana hinges at least 2 K12 System stays are required for any door width.

For pistons quantity to be specified according to door size, refer to the chart for "K12 System 244 mm - DROP DOWN".

X +	Y +	L1
16 + 4	16 + 2	208
16 + 4	19	210
18 + 2	19	208
19	16 + 2	204
19	19	206
20	20	206



For Kimana and adapter details refer to section "HINGES".



## K12 SYSTEM 355 mm - DROP DOWN

**BRACKETS Ø15:**

**SCREW FIXING BRACKETS:**

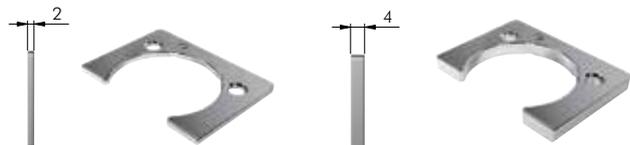
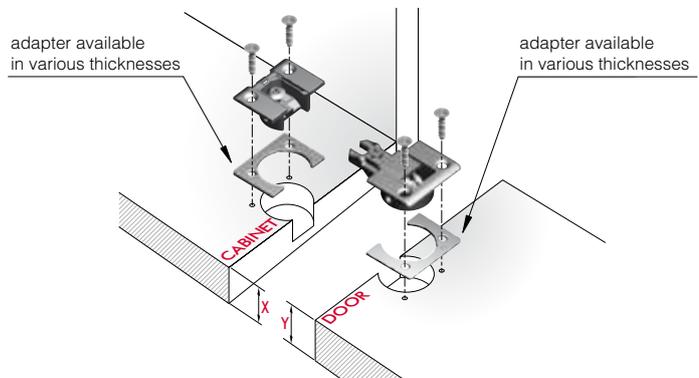
The dimensions of the above drilling plan refer to carcasses which use **Kimana hinges**.

**VERY IMPORTANT:** for Kimana hinges at least 2 K12 System stays are required for any door width.

For pistons quantity to be specified according to door size, refer to the chart for "K12 System 355 mm - DROP DOWN".

8

X +	Y +	L1
16 + 4	16 + 2	314
16 + 4	19	316
18 + 2	19	314
19	16 + 2	310
19	19	312
20	20	312



For Kimana and adapter details refer to section "HINGES".

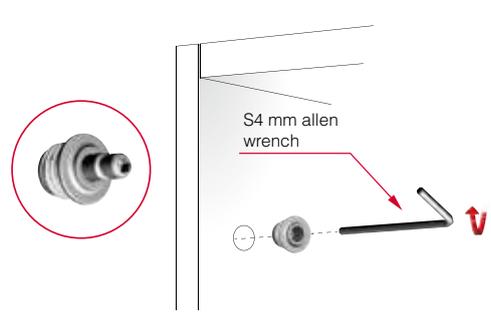
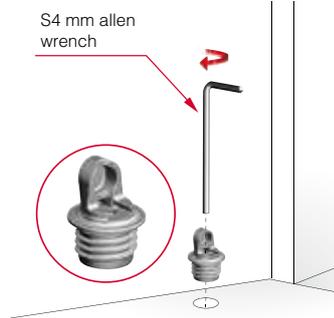


## K12 SYSTEM DROP DOWN WITH FLAP HINGES AND MAGNET K LOCK

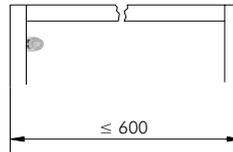


### INSTALLATION

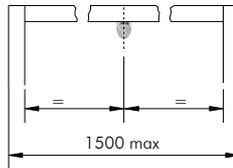
- For details refer to "K12 SYSTEM BRACKETS".



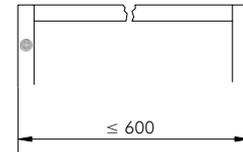
### INSTALLATION OF MAGNET K LOCK THROUGH ADAPTER HOUSING OPTION 1: VISIBLE



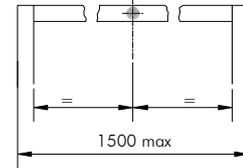
1 piece for door width ≤ 600 mm to be placed on same side as the K12 System.



### INSTALLATION OF MAGNET K LOCK TO BE EMBEDDED INSIDE THE PANEL OPTION 2: INVISIBLE



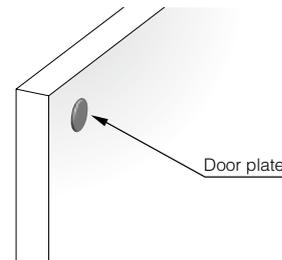
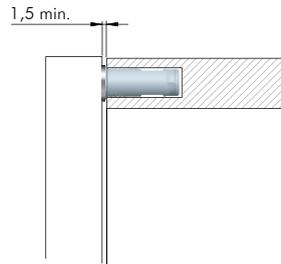
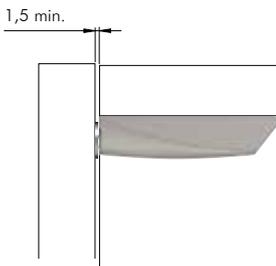
1 piece for door width ≤ 600 mm to be placed on same side as the K12 System.



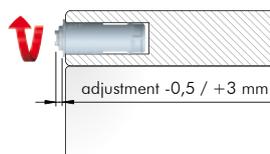
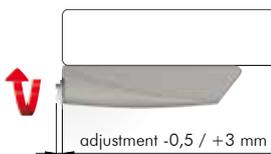
- Our technical department is at your disposal to test wider doors.

### MAGNET K LOCK VISIBLE OR INVISIBLE VERSION AND K LOCK PLATE FOR THE DOOR

- For details refer to section "PUSH CATCHES & MAGNETIC CATCHES".



### K LOCK ADJUSTMENTS







## K12 SYSTEM 164 mm - DROP DOWN

**BRACKETS Ø15:**

Magnet K Lock visible or invisible

164

72

127

150 min. internal space

88°

43

**SCREW FIXING BRACKETS:**

The dimensions of the drilling plan refer to carcasses which use flap hinges.

For pistons quantity to be specified according to door size, refer to the chart for "K12 SYSTEM 164 mm - DROP DOWN".



## K12 SYSTEM 244 mm - DROP DOWN

**BRACKETS Ø15:**

Magnet K Lock visible or invisible

244

72

206

255 min. internal space

88°

76

**SCREW FIXING BRACKETS:**

The dimensions of the above drilling plan refer to carcasses which use flap hinges.

For pistons quantity to be specified according to door size, refer to the chart for "K12 SYSTEM 244 mm - DROP DOWN".



## K12 SYSTEM 355 mm - DROP DOWN

**BRACKETS Ø15:**

**SCREW FIXING BRACKETS:**

The dimensions of the above drilling plan refer to carcasses which use flap hinges.

For pistons quantity to be specified according to door size, refer to the chart for "K12 SYSTEM 355 mm - DROP DOWN".

## K12 SYSTEM DROP DOWN WITH STANDARD UNSPRUNG OR NEGATIVE HINGES AUTOMATIC OPENING DOOR WITH K PUSH TECH THE SHORT WITH MAGNET



### INSTALLATION

- For details refer to "K12 SYSTEM BRACKETS".

K Push Tech the short with magnet

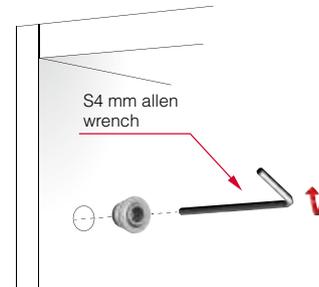
OPTION 1: Visible

OPTION 2: Invisible

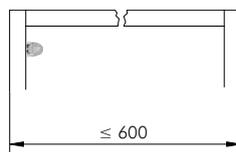
S4 mm allen wrench



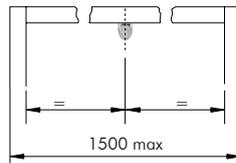
S4 mm allen wrench



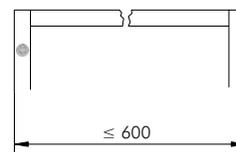
### INSTALLATION OF K PUSH TECH THE SHORT WITH MAGNET THROUGH ADAPTER HOUSING OPTION 1: VISIBLE



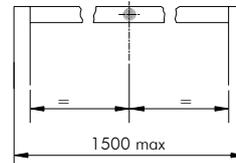
1 piece for door width ≤ 600 mm to be placed on same side as the K12 System.



### INSTALLATION OF K PUSH TECH THE SHORT WITH MAGNET TO BE EMBEDDED INSIDE THE PANEL OPTION 2: INVISIBLE



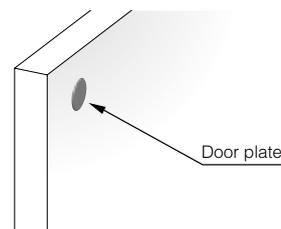
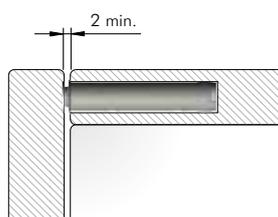
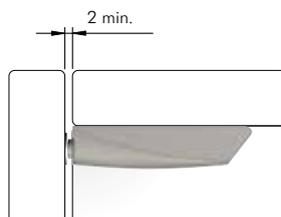
1 piece for door width ≤ 600 mm to be placed on same side as the K12 System.



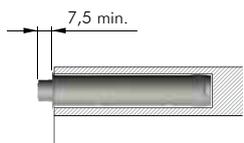
- Our technical department is at your disposal to test wider doors.

### K PUSH TECH THE SHORT WITH MAGNET VISIBLE OR INVISIBLE VERSION AND K PUSH TECH PLATE FOR THE DOOR

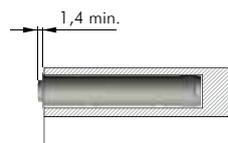
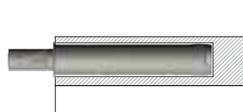
- For details refer to section "PUSH CATCHES & MAGNETIC CATCHES".



### K PUSH TECH ADJUSTMENTS



+ 6  
- 0,45



+ 6  
- 0,45





## K12 SYSTEM 164 mm - DROP DOWN

**BRACKETS Ø15:**

K Push Tech the short with magnet visible or invisible

**SCREW FIXING BRACKETS:**

The dimensions of the drilling plan refer to carcasses which use **standard unsprung or negative hinges** and mounting plates 0 mm. Please note that the opening angle shown data is purely indicative. It varies with respect to the hinge brand and adjustment carried out.

For pistons quantity to be specified according to door size, refer to the chart for "K12 SYSTEM 164 mm - DROP DOWN".

Please note that utilization with **standard sprung hinges** and **K Push Tech with buffer** is also possible. In such case, after the door is initially released by K Push Tech, a manual opening approx. 7cm is required (in order to win the spring resistance). Consequently, the door will automatically open to the fullest. For details refer to section "PUSH CATCHES & MAGNETIC CATCHES".

## K12 SYSTEM 244 mm - DROP DOWN

**BRACKETS Ø15:**

K Push Tech the short with magnet visible or invisible

**SCREW FIXING BRACKETS:**

The dimensions of the drilling plan refer to carcasses which use **standard unsprung or negative hinges** and mounting plates 0 mm. Please note that the opening angle shown data is purely indicative. It varies with respect to the hinge brand and adjustment carried out.

For pistons quantity to be specified according to door size, refer to the chart for "K12 SYSTEM 244 mm - DROP DOWN".

Please note that utilization with **standard sprung hinges** and **K Push Tech with buffer** is also possible. In such case, after the door is initially released by K Push Tech, a manual opening approx. 7cm is required (in order to win the spring resistance). Consequently, the door will automatically open to the fullest. For details refer to section "PUSH CATCHES & MAGNETIC CATCHES".



## K12 SYSTEM 355 mm - DROP DOWN

**BRACKETS Ø15:**

K Push Tech the short with magnet visible or invisible

**SCREW FIXING BRACKETS:**

The dimensions of the drilling plan refer to carcasses which use **standard unsprung or negative hinges** and mounting plates 0 mm.  
Please note that the opening angle shown data is purely indicative. It varies with respect to the hinge brand and adjustment carried out.

For pistons quantity to be specified according to door size, refer to the chart for "K12 SYSTEM 355 mm - DROP DOWN".

Please note that utilization with **standard sprung hinges** and **K Push Tech with buffer** is also possible. In such case, after the door is initially released by K Push Tech, a manual opening approx. 7cm is required (in order to win the spring resistance). Consequently, the door will automatically open to the fullest.  
For details refer to section "PUSH CATCHES & MAGNETIC CATCHES".



## K12 SYSTEM DROP DOWN WITH KIMANA HINGES AUTOMATIC OPENING DOOR WITH K PUSH TECH THE MEDIUM WITH MAGNET

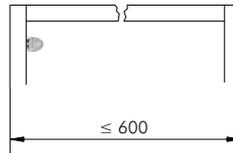


### INSTALLATION

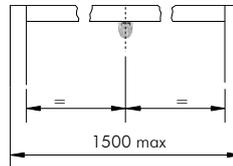
- For details refer to "K12 SYSTEM BRACKETS".



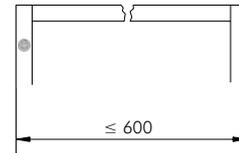
### INSTALLATION OF K PUSH TECH THE MEDIUM WITH MAGNET THROUGH ADAPTER HOUSING OPTION 1: VISIBLE



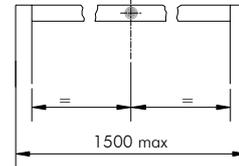
1 piece for door width  $\leq 600$  mm to be placed on same side as the K12 System.



### INSTALLATION OF K PUSH TECH THE MEDIUM WITH MAGNET TO BE EMBEDDED INSIDE THE PANEL OPTION 2: INVISIBLE



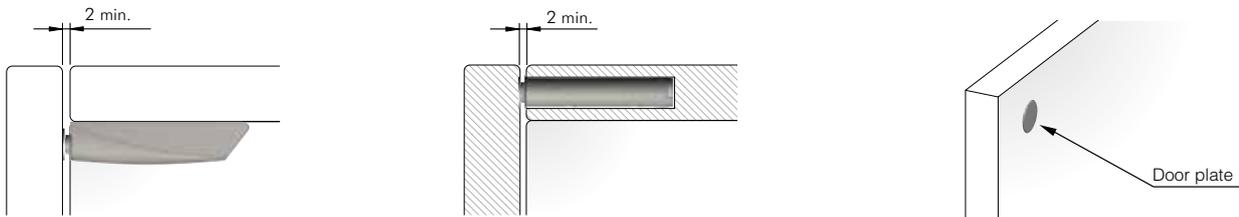
1 piece for door width  $\leq 600$  mm to be placed on same side as the K12 System.



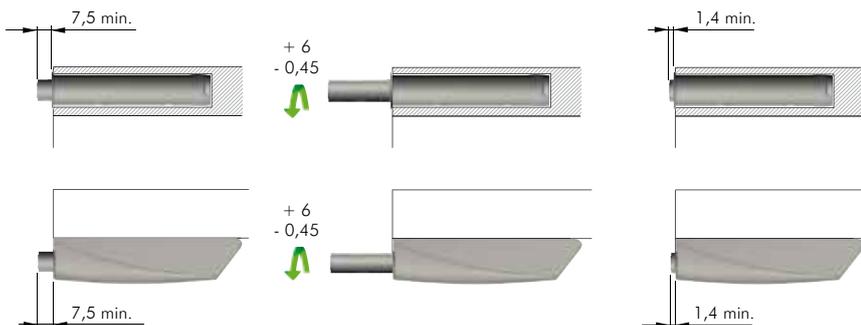
- Our technical department is at your disposal to test wider doors.

### K PUSH TECH THE MEDIUM WITH MAGNET VISIBLE OR INVISIBLE VERSION AND K PUSH TECH PLATE FOR THE DOOR

- For details refer to section "PUSH CATCHES & MAGNETIC CATCHES".



### K PUSH TECH ADJUSTMENTS





## K12 SYSTEM 164 mm - DROP DOWN

**BRACKETS Ø15:**

K Push Tech the medium with magnet visible or invisible

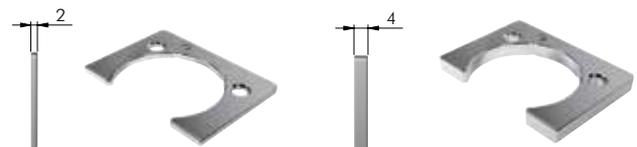
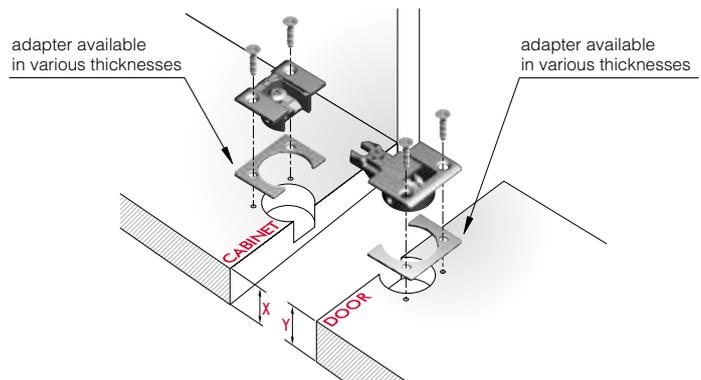
The dimensions of the above drilling plan refer to carcasses which use **Kimana hinges**.

**VERY IMPORTANT:** for Kimana hinges at least 2 K12 System stays are required for any door width.

**SCREW FIXING BRACKETS:**

For pistons quantity to be specified according to door size, refer to the chart for "K12 System 164 mm - DROP DOWN".

X +	Y +	L1
16 + 4	16 + 2	129
16 + 4	19	131
18 + 2	19	129
19	16 + 2	125
19	19	127
20	20	127



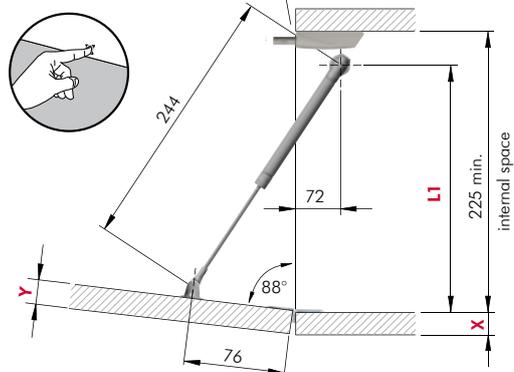
For Kimana and adapter details refer to section "HINGES".



## K12 SYSTEM 244 mm - DROP DOWN

### BRACKETS Ø15:

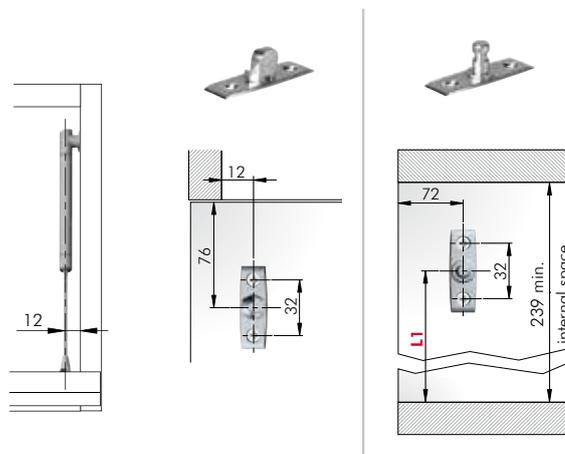
K Push Tech the medium with magnet visible or invisible



The dimensions of the above drilling plan refer to carcasses which use **Kimana hinges**.

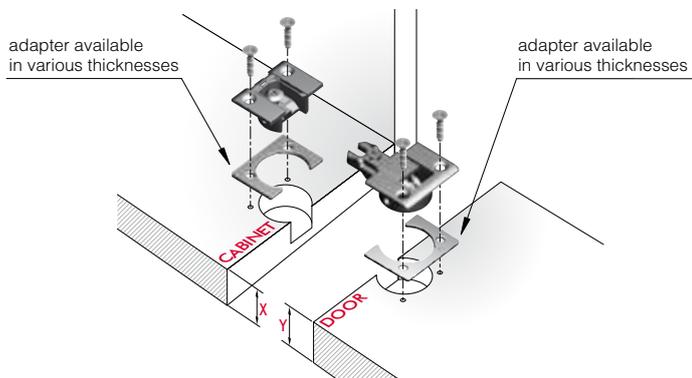
**VERY IMPORTANT:** for Kimana hinges at least 2 K12 System stays are required for any door width.

### SCREW FIXING BRACKETS:



For pistons quantity to be specified according to door size, refer to the chart for "K12 System 244 mm - DROP DOWN".

X +	Y +	L1
16 + 4	16 + 2	208
16 + 4	19	210
18 + 2	19	208
19	16 + 2	204
19	19	206
20	20	206



For Kimana and adapter details refer to section "HINGES".



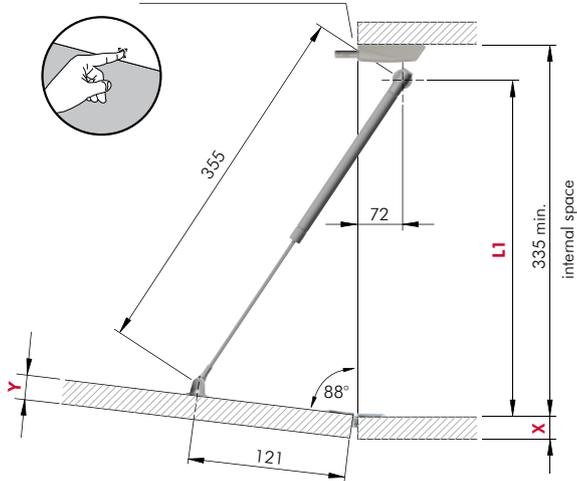


## K12 SYSTEM 355 mm - DROP DOWN



### BRACKETS Ø15:

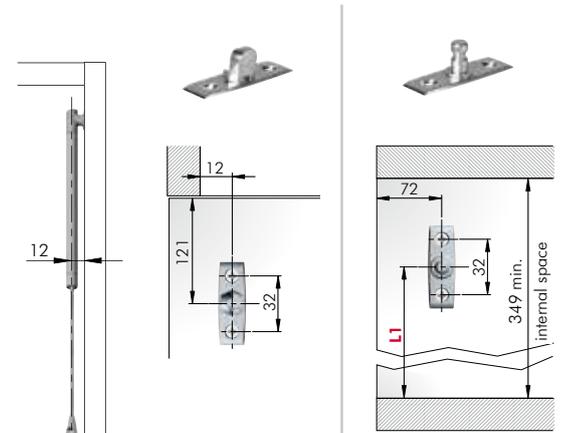
K Push Tech the medium with magnet visible or invisible



The dimensions of the above drilling plan refer to carcasses which use **Kimana hinges**.

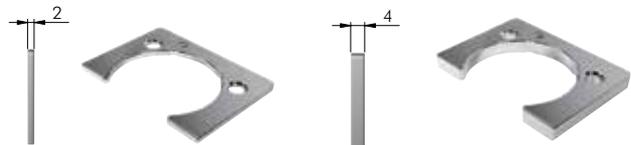
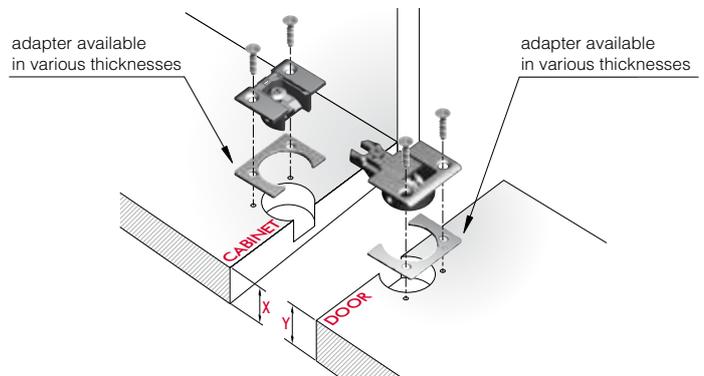
**VERY IMPORTANT:** for Kimana hinges at least 2 K12 System stays are required for any door width.

### SCREW FIXING BRACKETS:



For pistons quantity to be specified according to door size, refer to the chart for "K12 System 355 mm - DROP DOWN".

X +	Y +	L1
16 + 4	16 + 2	314
16 + 4	19	316
18 + 2	19	314
19	16 + 2	310
19	19	312
20	20	312



For Kimana and adapter details refer to section "HINGES".

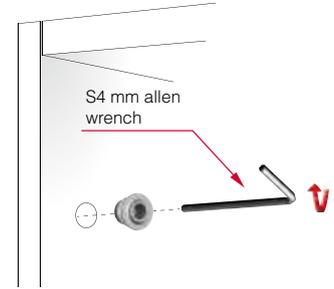
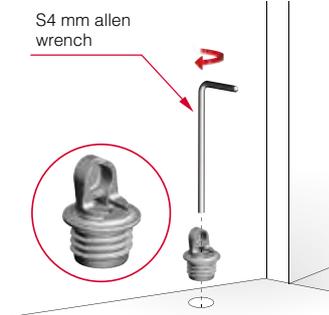


## K12 SYSTEM DROP DOWN WITH FLAP HINGES AUTOMATIC OPENING DOOR WITH K PUSH TECH THE SHORT WITH MAGNET

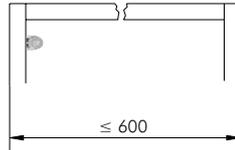


### INSTALLATION

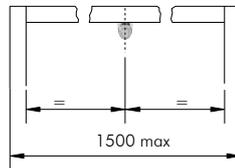
- For details refer to "K12 SYSTEM BRACKETS".



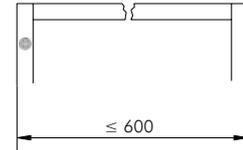
### INSTALLATION OF K PUSH TECH THE SHORT WITH MAGNET THROUGH ADAPTER HOUSING OPTION 1: VISIBLE



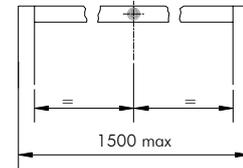
1 piece for door width ≤ 600 mm to be placed on same side as the K12 System.



### INSTALLATION OF K PUSH TECH THE SHORT WITH MAGNET TO BE EMBEDDED INSIDE THE PANEL OPTION 2: INVISIBLE



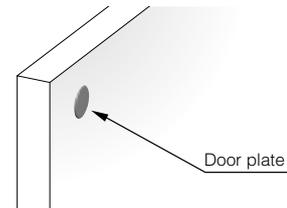
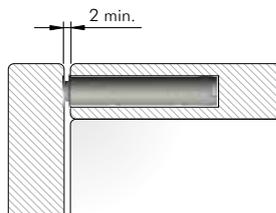
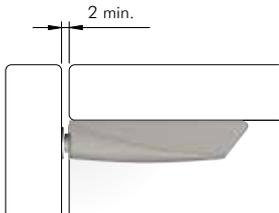
1 piece for door width ≤ 600 mm to be placed on same side as the K12 System.



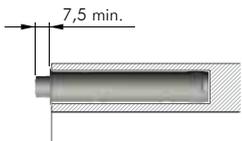
- Our technical department is at your disposal to test wider doors.

### K PUSH TECH THE SHORT WITH MAGNET VISIBLE OR INVISIBLE VERSION AND K PUSH TECH PLATE FOR THE DOOR

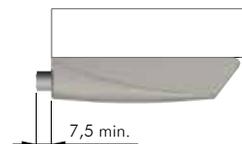
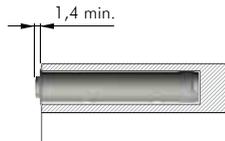
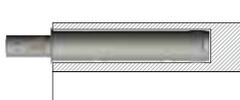
- For details refer to section "PUSH CATCHES & MAGNETIC CATCHES".



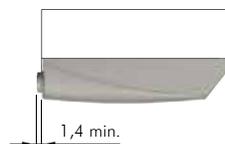
### K PUSH TECH ADJUSTMENTS



+ 6  
- 0,45



+ 6  
- 0,45



## K12 SYSTEM 164 mm - DROP DOWN

**BRACKETS Ø15:**

K Push Tech the short with magnet visible or invisible

The dimensions of the drilling plan refer to carcasses which use flap hinges.

**SCREW FIXING BRACKETS:**

For pistons quantity to be specified according to door size, refer to the chart for "K12 SYSTEM 164 mm - DROP DOWN".

## K12 SYSTEM 244 mm - DROP DOWN

**BRACKETS Ø15:**

K Push Tech the short with magnet visible or invisible

The dimensions of the drilling plan refer to carcasses which use flap hinges.

**SCREW FIXING BRACKETS:**

For pistons quantity to be specified according to door size, refer to the chart for "K12 SYSTEM 244 mm - DROP DOWN".



## K12 SYSTEM 355 mm - DROP DOWN

**BRACKETS Ø15:**

K Push Tech the short with magnet visible or invisible

The dimensions of the drilling plan refer to carcasses which use flap hinges.

**SCREW FIXING BRACKETS:**

For pistons quantity to be specified according to door size, refer to the chart for "K12 SYSTEM 355 mm - DROP DOWN".

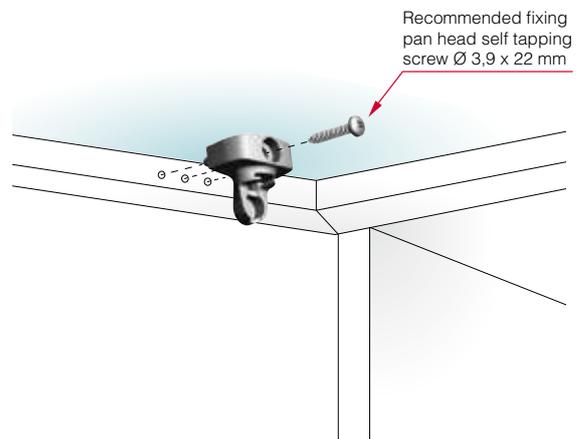
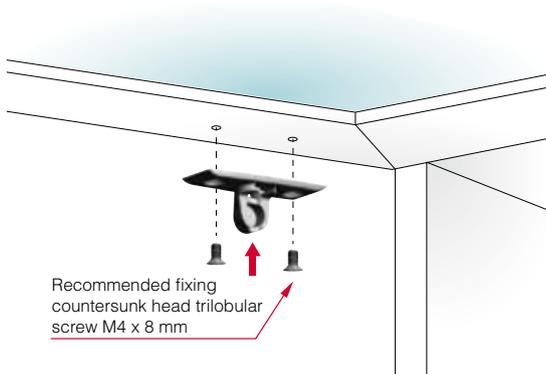
## K12 SYSTEM ADAPTERS FOR ALUMINIUM FRAME DOOR



INSTALLATION ON WIDER ALUMINIUM FRAME DOOR

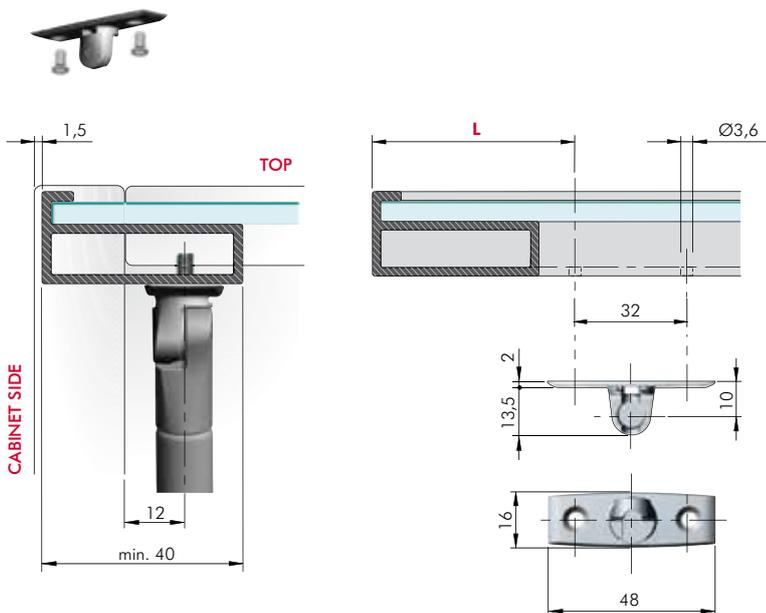


INSTALLATION ON NARROW ALUMINIUM FRAME DOOR



8

WIDER ALUMINIUM FRAME DOOR (40 mm min.)



 = Ø 3,6 mm

ZA

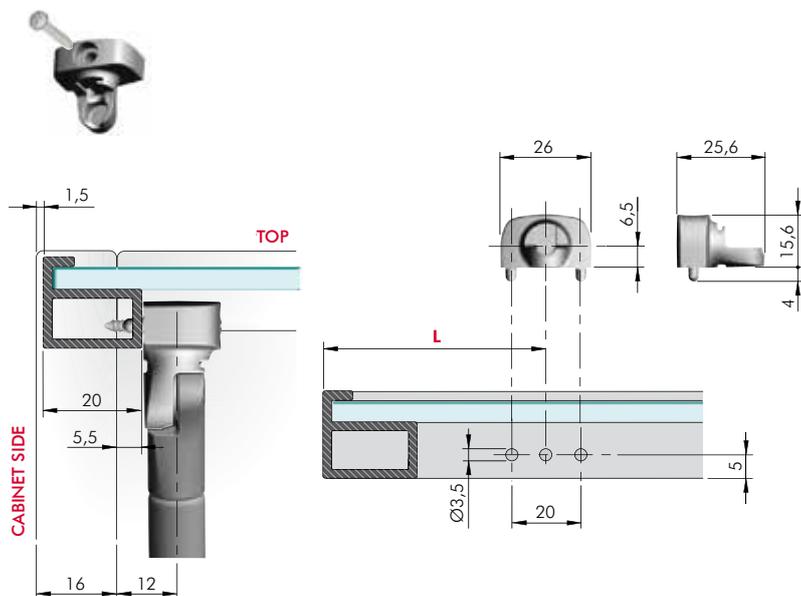


48080100YA





## NARROW ALUMINIUM FRAME DOOR (20 mm) WITH SIDE PANEL THICKNESS 16 mm



= Ø 3,5 mm

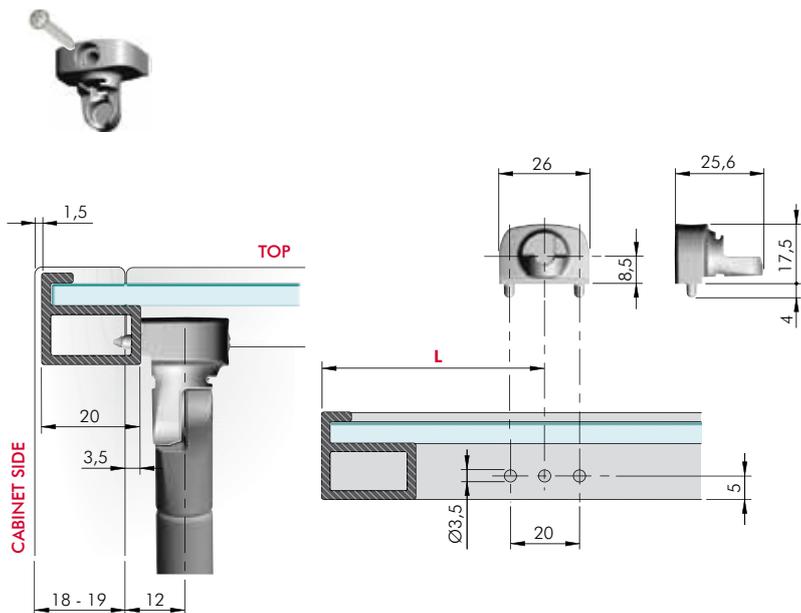
ZA

= 100 pcs.



48080140YA

## NARROW ALUMINIUM FRAME DOOR (20 mm) WITH SIDE PANEL THICKNESS 18 mm



= Ø 3,5 mm

ZA

= 100 pcs.



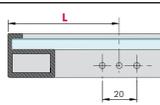
48080150YA

  **K12 SYSTEM LIFT UP AUTOMATIC WITH STANDARD SPRUNG HINGES**

  **K12 SYSTEM LIFT UP FRICTION WITH STANDARD SPRUNG HINGES**

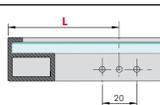
  **K12 SYSTEM DROP DOWN WITH STANDARD SPRUNG HINGES**

- For details refer to related sections

<b>K12 SYSTEM</b>	
164	39
244	76
355	127

   **K12 SYSTEM LIFT UP WITH STANDARD UNSPRUNG OR NEGATIVE HINGES AUTOMATIC OPENING DOOR WITH K PUSH THE SHORT WITH MAGNET**

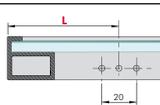
- For details refer to related sections

<b>K12 SYSTEM</b>	
164	41
244	71
355	121

   **K12 SYSTEM DROP DOWN WITH KIMANA HINGES AND MAGNET K LOCK**

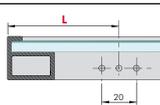
   **K12 SYSTEM DROP DOWN WITH FLAP HINGES AND MAGNET K LOCK**

- For details refer to related sections

<b>K12 SYSTEM</b>	
164	43
244	76
355	121

   **K12 SYSTEM DROP DOWN WITH STANDARD UNSPRUNG OR NEGATIVE HINGES AUTOMATIC OPENING DOOR WITH K PUSH THE SHORT WITH MAGNET**

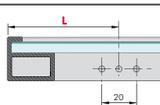
- For details refer to related sections

<b>K12 SYSTEM</b>	
164	41
244	71
355	121

   **K12 SYSTEM DROP DOWN WITH KIMANA HINGES AUTOMATIC OPENING DOOR WITH K PUSH THE LONG WITH MAGNET**

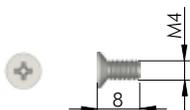
   **K12 SYSTEM DROP DOWN WITH FLAP HINGES AUTOMATIC OPENING DOOR WITH K PUSH THE SHORT WITH MAGNET**

- For details refer to related sections

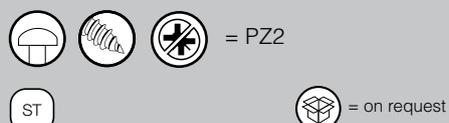
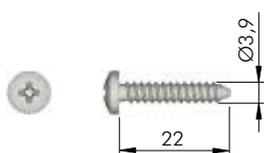
<b>K12 SYSTEM</b>	
164	43
244	76
355	121



## ALUMINIUM ADAPTERS FIXING ACCESSORIES



42906010YA



60203390YA