

LIKU



HANGERS





SYMBOLS AND FINISHES LEGEND

SYMBOLS



= SHELF SAFELY LOCKED DURING TRANSPORTATION AND AT HOME.



= ANTI-TURNOVER LOCKING SYSTEM



= NORMS / PATENTS



= PHILLIPS / POZIDRIV



= NEWTON



= PART.NO



= HEXAGONAL SOCKET



= FRICTION



= PCS. PER PACKAGE



= BLADE SLOT



= AUTOMATIC



= COMBI SLOT



= DROP DOWN



= CAPACITY LOADING



= COUNTERSUNK HEAD



= WOOD / GLASS THICKNESS



= PAN HEAD



= STANDARD HINGE



= HOLE DIAMETER



= FLANGE HEAD



= KIMANA HINGE



= DIAMETER



= FLAT HEAD



= FLAP HINGE



= LENGTH



= TRILOBULAR SCREW



= WITH SPRING



= HEIGHT



= SELF-TAPPING SCREW



= WITHOUT SPRING



= RIGHT VERSION



= EURO THREAD



= REVERSED SPRING



= LEFT VERSION



= METRIC THREAD



= SETTING CODE



= PRE-INSERTED SCREW



= FOR ROUND TUBE



= PCS. PER PAD



= PRE-INSERTED SCREW AND SPREADING BUSH



= FOR OVAL TUBE



= CUT ON REQUEST



= WITH BUFFER



= SELF ADHESIVE



= WITH MAGNET



= WITH FLANGE

NOTE: Printing errors and omissions may exist despite our best efforts to ensure accuracy. We reserve the right to alter specifications without notice.

MATERIALS

ZA = Zinc Alloy	ST = Steel	HSS = High Speed Steel	BR = Brass	ABS = Acrylonitrile Butadiene Styrene
ZAnk = Nickel-plated Zinc Alloy	STzk = Zinc-plated Steel	AL = Aluminium	WD = Wood	EVA = Ethylene Vinyl Acetate

EP = **ENGINEERING PLASTIC**

+ **EP** = other engineering plastic available on request

SR = **SOFT RUBBER**

+ **SR** = other soft rubber available on request

EPn = Natural Engineering Plastic	EPc = Clear Engineering Plastic	SRn = Natural Soft Rubber
EPw = White Engineering Plastic	EPg = Grey Engineering Plastic	SRw = White Soft Rubber
EPwg = Water Green Engineering Plastic		SRb = Black Soft Rubber



FINISHES



+ = OTHER FINISHES AVAILABLE ON REQUEST

AA	Natural	JB	Bright Aluminium	QB	Walnut
AB	White	JC	Aluminium - Chrome	RO	Red
AC	Opal White	JD	Matt Aluminium	UZ	T -Met
AE	White 9010	JE	Satin-finished Aluminium	WA	Bronzed
AK	Champagne	JF	Aluminium - Brass	WI	Burnished
AL	Ivory	JG	Aluminium 5	XD	Satin-finished Steel
EA	Black	JL	Aluminium PE 11	YA	Nickel-plated
EB	Glossy Black	JM	Aluminium RAL 9006	YB	Bright Nickel-plated
EC	Matt Black	KA	Chrome	YC	Matt Nickel-plated
EE	Anthracite	KB	Bright Chrome	YD	Satin-finished Nickel-plated
FU	Gunmetal	KC	Matt Chrome	ZA	Zinc alloy
GR	Raw	MA	Brown	ZN	Zinc-plated
HA	Brass-Plated	MB	Light Brown 1	ZQ	Bright Gold
HH	Tropicalized	NN	Metallic Beige	ZY	Titanium
HL	Raw Brass	NO	Beige	ZZ	Clear
IA	Grey	OA	Oak	00	Insignificant finish
IB	Metallic Grey	OZ	Ash		
IF	Middle Grey	PA	Light Ash		
IJ	Light Grey	PZ	Beech		
IL	Grey 20	QA	Maple		

LIKU

LIKU is the innovative concealed hanger conceived by Italiana Ferramenta Srl to fix suspended libraries and cabinets to the wall even when their structure is concealed without the back panel.

LIKU is to be inserted into the side of the furniture and can be used with panels minimum 25 mm thick.

LIKU, conceived to sustain very heavy pieces of furniture with very heavy loads, has a capacity loading of 250 kg per piece.

This is made possible by:

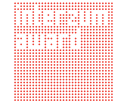
- The double hanging-hook which allows a uniformly distributed load on the wall bracket.
- The optimized shape of the wall bracket which reduces the stress on the rawl plugs.
- The robust and compact body of the system.

LIKU is a very safe system as it is provided with a self-inserting anti-turnover device.

Provided with 3 independent adjustments

- In-depth: 13 mm (the only available on the market)
- Vertical: 15 mm
- Lateral: 9 mm (6 on the wall bracket; 3 on the hanger)

In combination with leveller Ø 14 it is possible the inclination adjustment.



interzum award:
intelligent
material & design
2011



250 Kg per piece

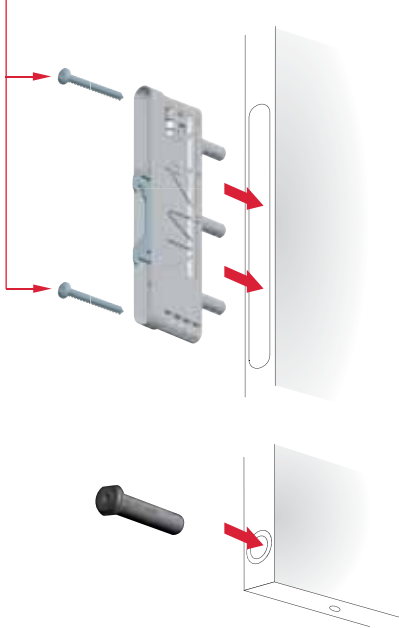


25 mm min.

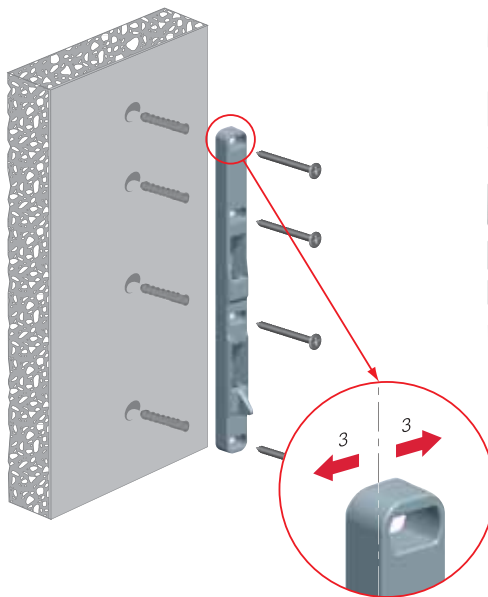


INSTALLATION: LIKU AND LEVELLER
Ø 14 H. 52 INSTALLATION

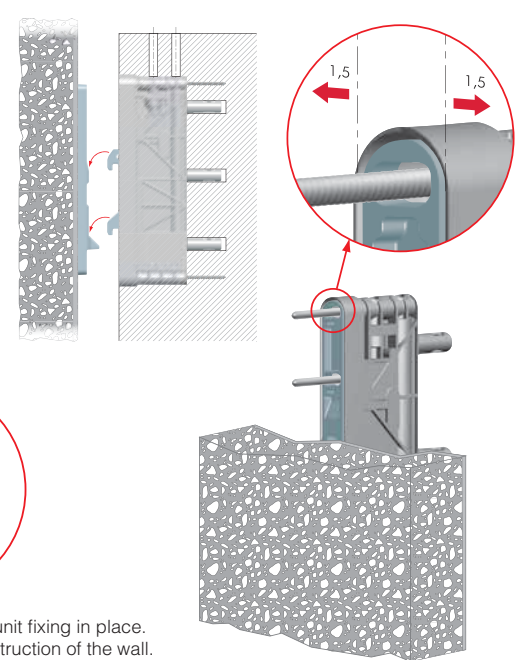
recommended fixing pan head
wood screws Ø 4x60 mm



WALL PLATE FIXING AND LATERAL
ADJUSTMENT - 6 mm



INSTALLATION AND FURTHER LATERAL
ADJUSTMENT - 3 mm

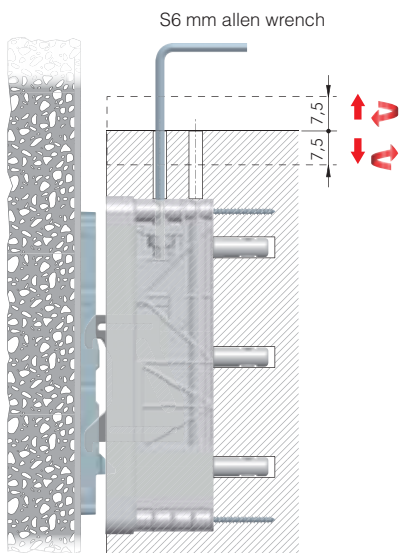


It is the responsibility of the customer:

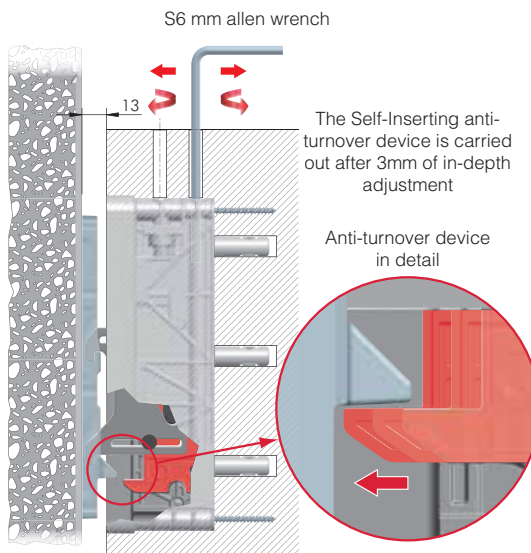
- to ensure that the wall is of a suitable quality to hold the unit fixing in place.
- to use the proper hardware fittings according to the construction of the wall.

For more specific information, please refer to the WARNINGS section at the end of the catalogue.

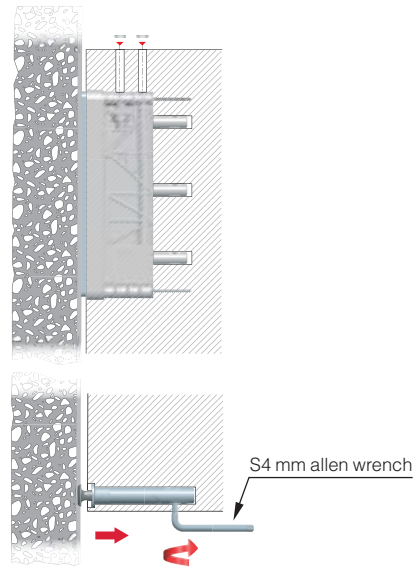
VERTICAL ADJUSTMENT - 15 mm



IN-DEPTH ADJUSTMENT - 13 mm
AND ANTI-TURNOVER SYSTEM

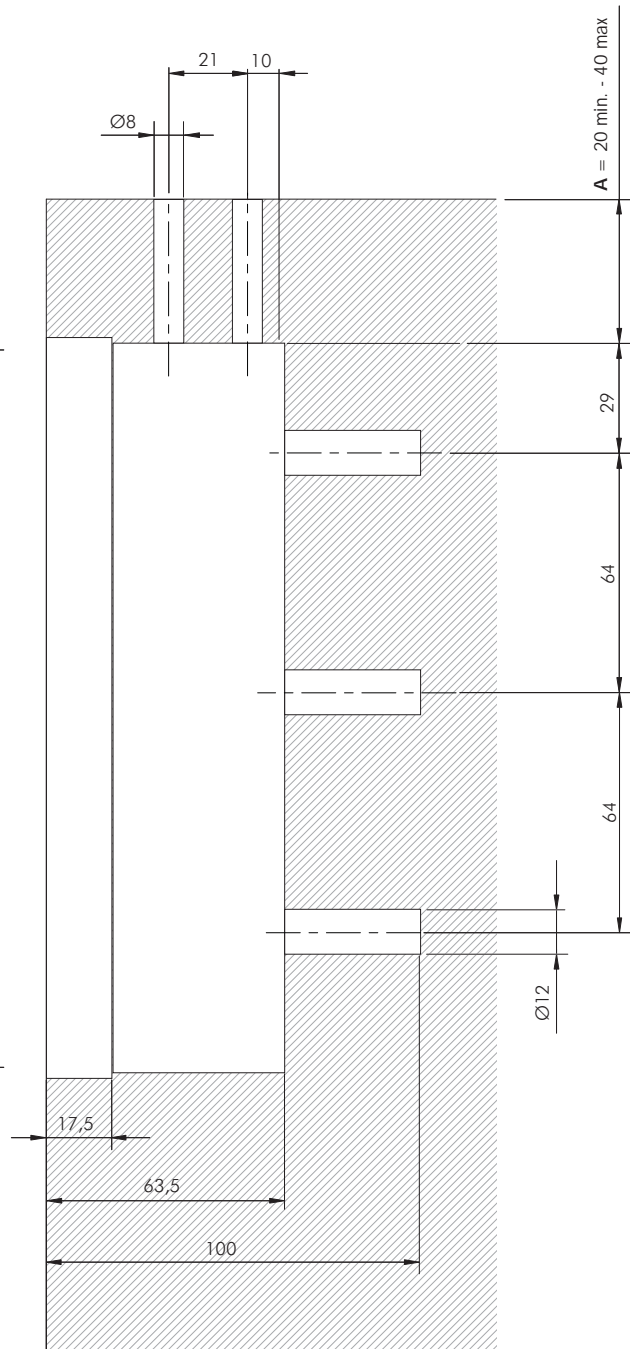
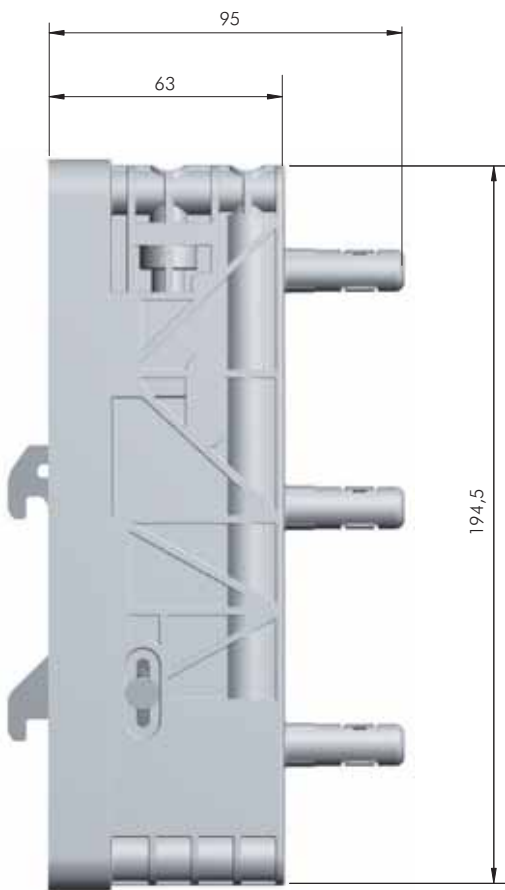


INCLINATION ADJUSTMENT

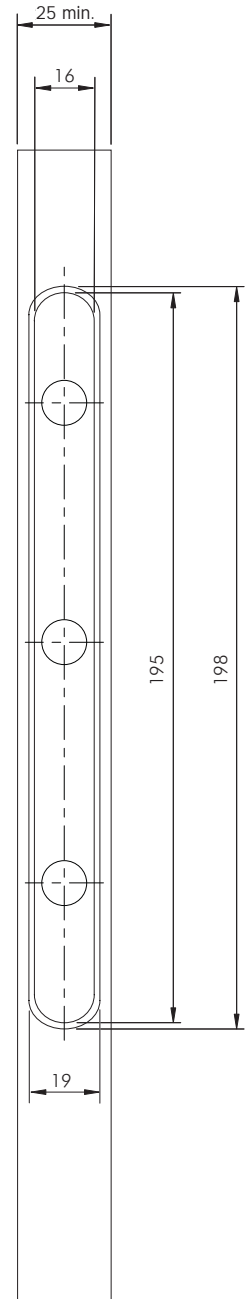




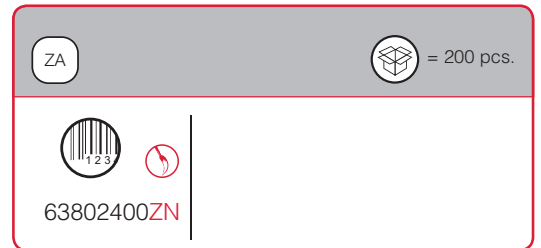
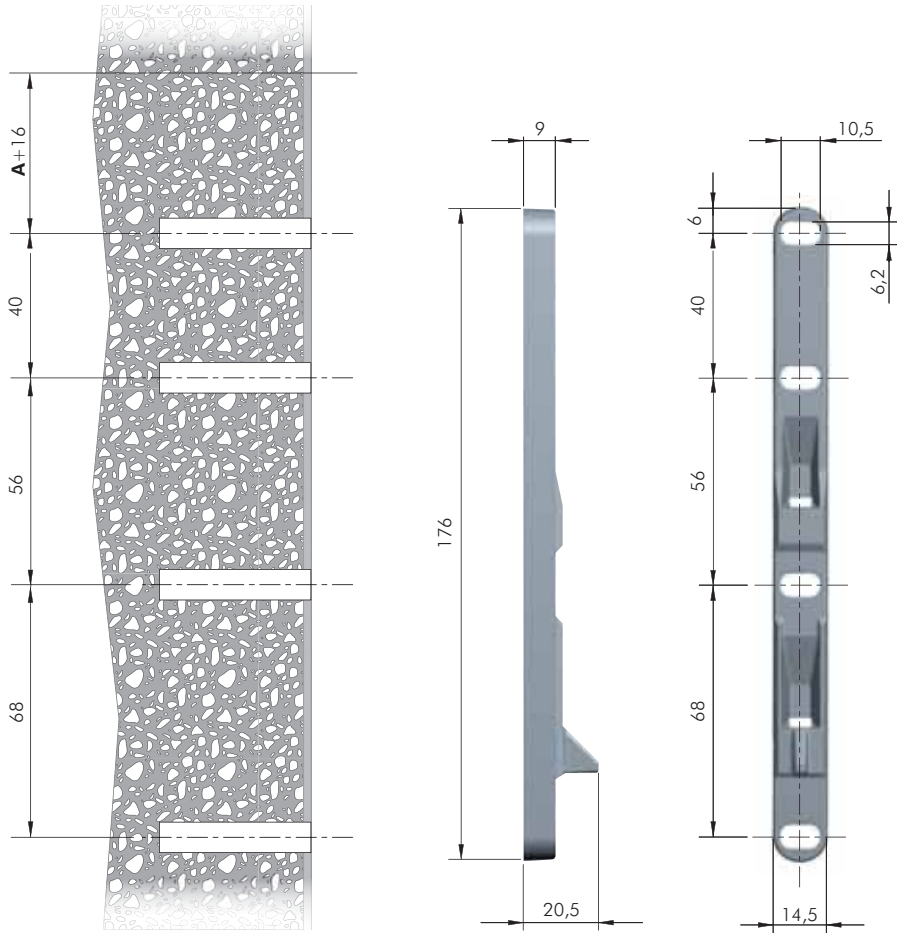
ZA	EP	ST	= 40 pcs.
638010000			



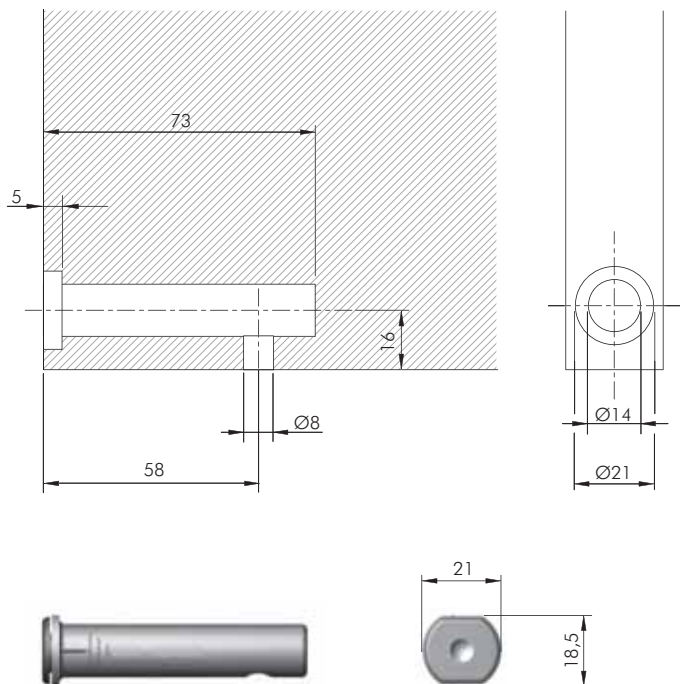
A = 20 min. - 40 max



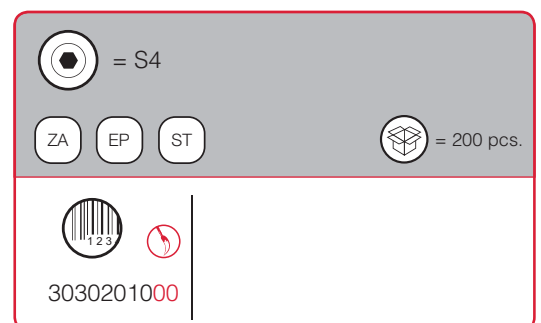
A =Distance from top edge



LEVELLER Ø 14 H 52 mm

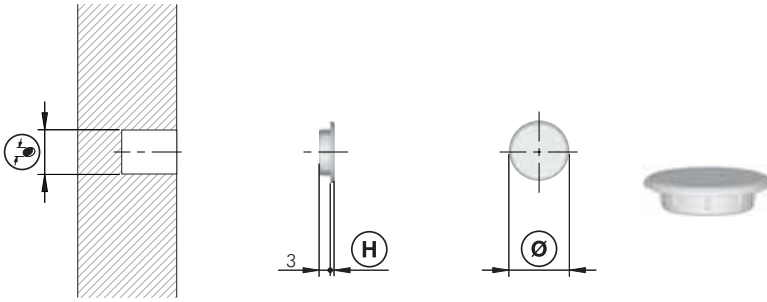


- For details refer to section " LEVELLER Ø 14"



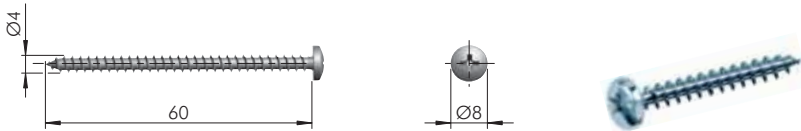


LIKU ACCESSORY



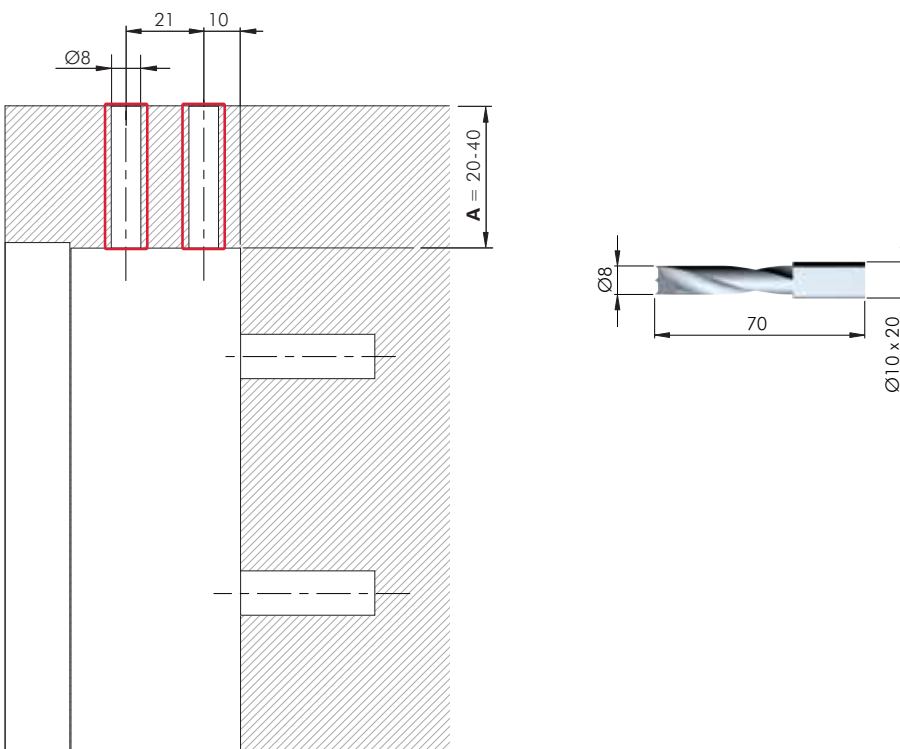
= Ø 8 mm	
23002010AB	Ø 8
Ø 11	H 1

LIKU FIXING ACCESSORY

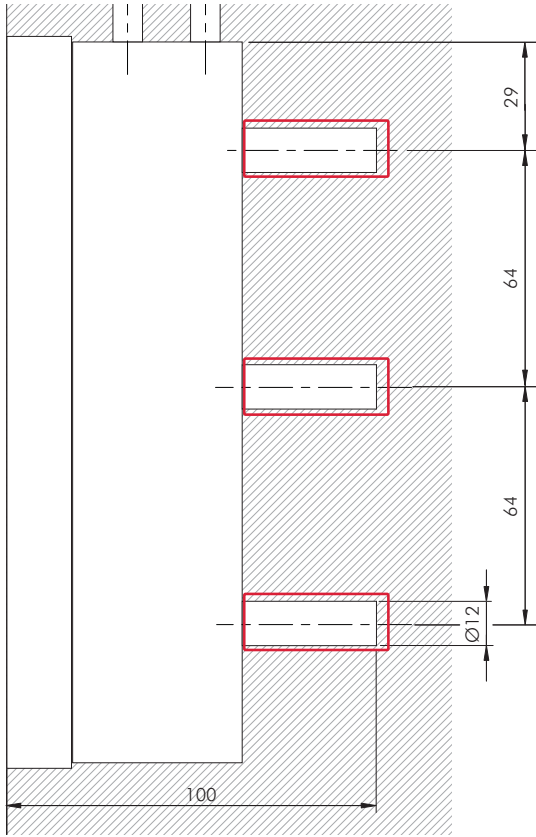


= PZ2	
60103350ZN	

DRILL BIT FOR LIKU



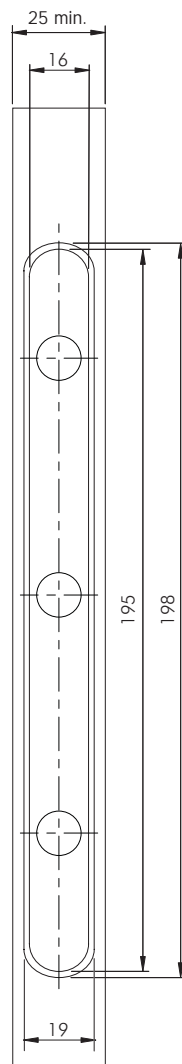
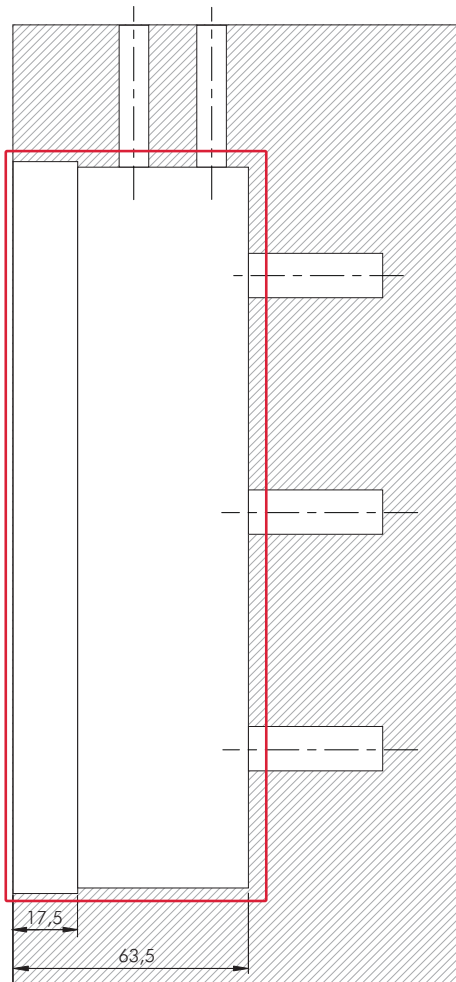
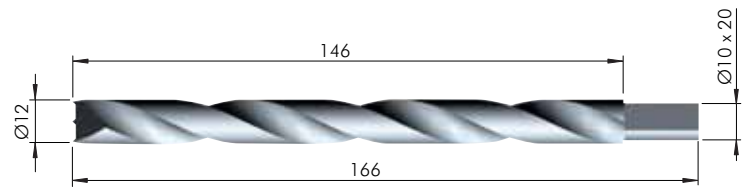
6380243000	



HSS = on request

123

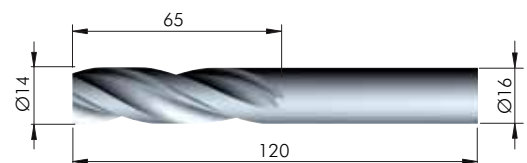
3030152000



HSS = on request

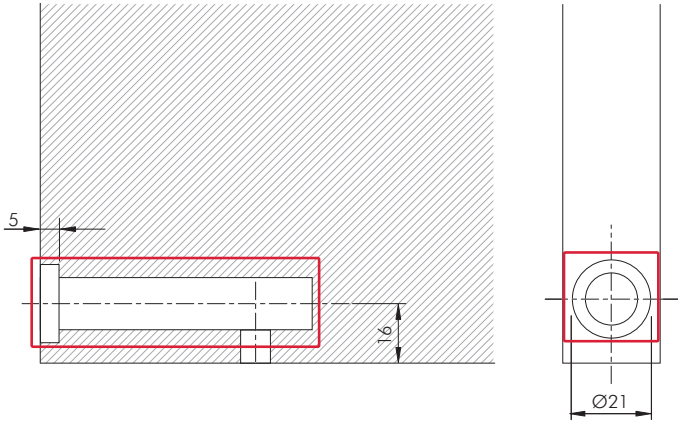
123




6380241000

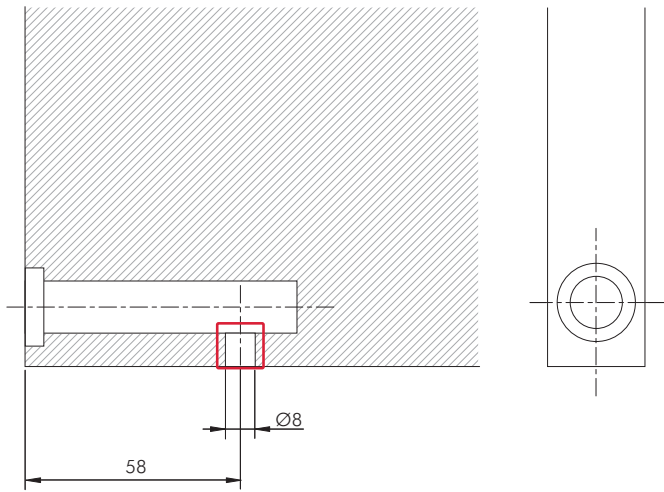
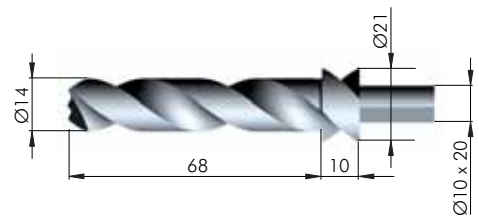







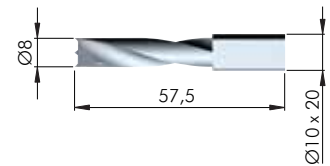
DRILL BIT FOR LEVELLER Ø 14

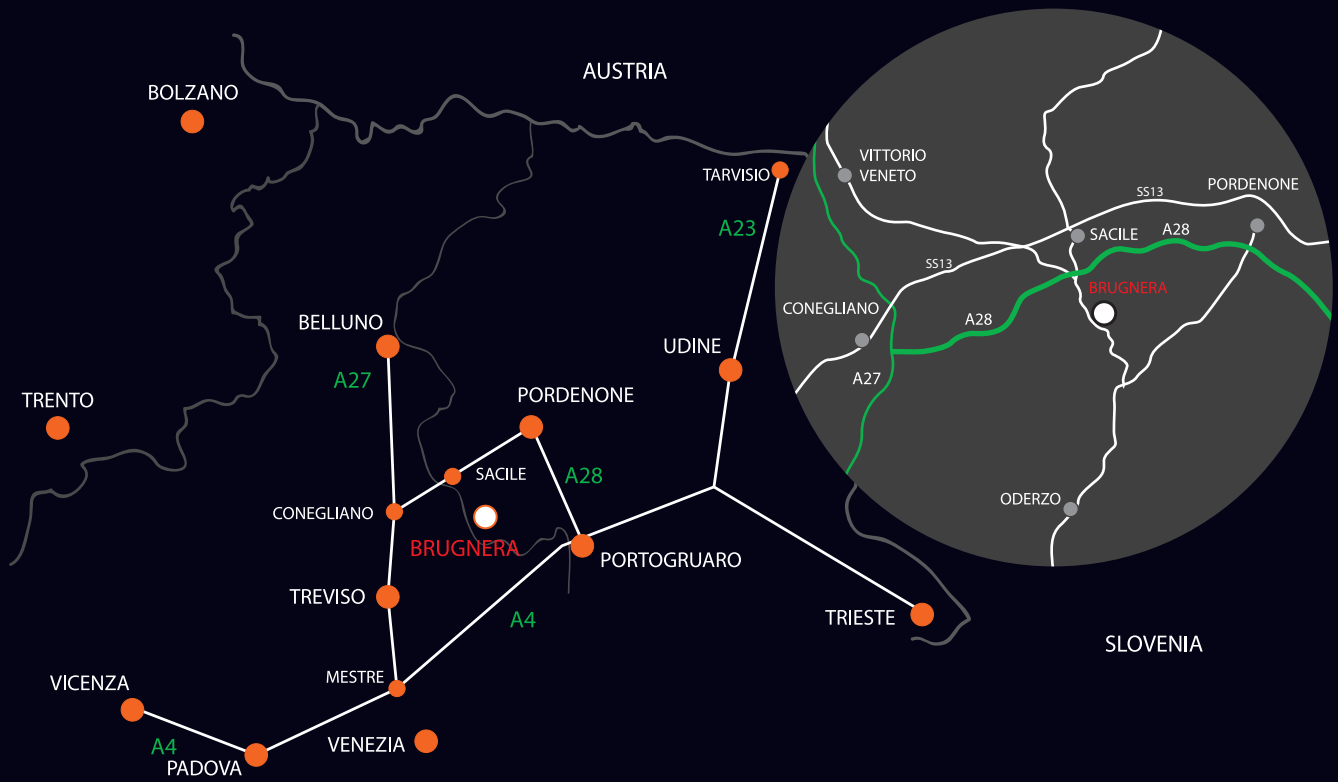


HSS	 = on request
 123	
6380242000	



HSS	 = on request
 123	
1145202000	





www.italianaferramenta.com