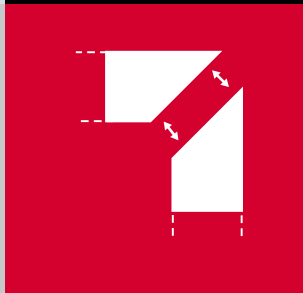




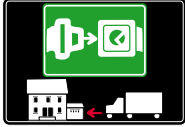
WORKTOP CONNECTORS





SYMBOLS AND FINISHES LEGEND

SYMBOLS



= SHELF SAFELY LOCKED DURING TRANSPORTATION AND AT HOME.



= ANTI-TURNOVER LOCKING SYSTEM



= NORMS / PATENTS



= PHILLIPS / POZIDRIV



= NEWTON



= PART.NO



= HEXAGONAL SOCKET



= FRICTION



= PCS. PER PACKAGE



= BLADE SLOT



= AUTOMATIC



= COMBI SLOT



= DROP DOWN



= CAPACITY LOADING



= COUNTERSUNK HEAD



= WOOD / GLASS THICKNESS



= PAN HEAD



= STANDARD HINGE



= HOLE DIAMETER



= FLANGE HEAD



= KIMANA HINGE



= DIAMETER



= FLAT HEAD



= FLAP HINGE



= LENGTH



= TRILOBULAR SCREW



= WITH SPRING



= HEIGHT



= SELF-TAPPING SCREW



= WITHOUT SPRING



= RIGHT VERSION



= EURO THREAD



= REVERSED SPRING



= LEFT VERSION



= METRIC THREAD



= SETTING CODE



= PRE-INSERTED SCREW



= FOR ROUND TUBE



= PCS. PER PAD



= PRE-INSERTED SCREW AND SPREADING BUSH



= FOR OVAL TUBE



= CUT ON REQUEST



= WITH BUFFER



= SELF ADHESIVE



= WITH MAGNET



= WITH FLANGE

NOTE: Printing errors and omissions may exist despite our best efforts to ensure accuracy. We reserve the right to alter specifications without notice.

MATERIALS

ZA = Zinc Alloy	ST = Steel	HSS = High Speed Steel	BR = Brass	ABS = Acrylonitrile Butadiene Styrene
ZAnk = Nickel-plated Zinc Alloy	STzk = Zinc-plated Steel	AL = Aluminium	WD = Wood	EVA = Ethylene Vinyl Acetate

EP = **ENGINEERING PLASTIC**

+ **EP** = other engineering plastic available on request

SR = **SOFT RUBBER**

+ **SR** = other soft rubber available on request

EPn = Natural Engineering Plastic	EPc = Clear Engineering Plastic	SRn = Natural Soft Rubber
EPw = White Engineering Plastic	EPg = Grey Engineering Plastic	SRw = White Soft Rubber
EPwg = Water Green Engineering Plastic		SRb = Black Soft Rubber



FINISHES



= OTHER FINISHES AVAILABLE ON REQUEST

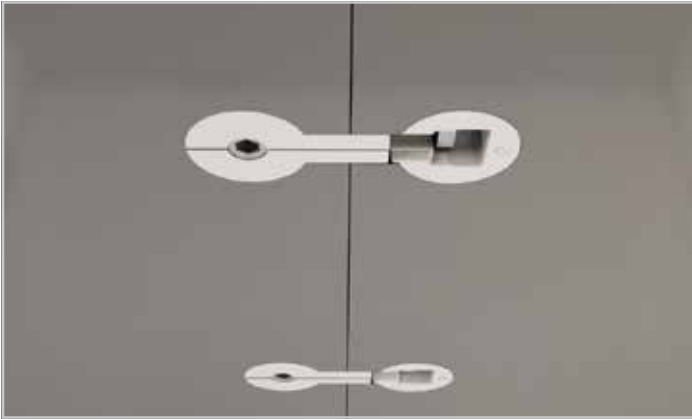
AA	Natural	JB	Bright Aluminium	QB	Walnut
AB	White	JC	Aluminium - Chrome	RO	Red
AC	Opal White	JD	Matt Aluminium	UZ	T -Met
AE	White 9010	JE	Satin-finished Aluminium	WA	Bronzed
AK	Champagne	JF	Aluminium - Brass	WI	Burnished
AL	Ivory	JG	Aluminium 5	XD	Satin-finished Steel
EA	Black	JL	Aluminium PE 11	YA	Nickel-plated
EB	Glossy Black	JM	Aluminium RAL 9006	YB	Bright Nickel-plated
EC	Matt Black	KA	Chrome	YC	Matt Nickel-plated
EE	Anthracite	KB	Bright Chrome	YD	Satin-finished Nickel-plated
FU	Gunmetal	KC	Matt Chrome	ZA	Zinc alloy
GR	Raw	MA	Brown	ZN	Zinc-plated
HA	Brass-Plated	MB	Light Brown 1	ZQ	Bright Gold
HH	Tropicalized	NN	Metallic Beige	ZY	Titanium
HL	Raw Brass	NO	Beige	ZZ	Clear
IA	Grey	OA	Oak	00	Insignificant finish
IB	Metallic Grey	OZ	Ash		
IF	Middle Grey	PA	Light Ash		
IJ	Light Grey	PZ	Beech		
IL	Grey 20	QA	Maple		

CONTENTS

SHELF SUPPORTS			1
SECURY PALETTA	1.1	FLIPPER-BI	1.12
MINISECURITY	1.1	UNICO	1.16
PULL-IN CORNER BRACKET	1.3	SPRING	1.19
K LINE	1.4	KERALA	1.21
DUAL	1.6	MAORI	1.23
SHELF RETAINER	1.7	TRIS	1.30
FLIPPER	1.8	TRIS SIDE BRACKET ROUND LEDGE	1.37
PK2	1.42	PK2 SIDE BRACKET ROUND LEDGE	1.53
BLITZ	1.57	BLITZ SIDE BRACKET ROUND LEDGE	1.64
POKER	1.67	SECRET MAXI	1.77
GLASS SHELF SUPPORTS			2
DREAM	2.1	ATAK	2.5
K LINE	2.2	GEKO	2.6
VERY	2.4	KRISTAL	2.7
OR	2.4	COBRA	2.11
PEKI	2.15	KUBIC	2.17
PULL	2.20		
WOOD AND GLASS SHELVING SYSTEMS			3
KAIMAN	3.1	TRIADE MINI	3.12
KAIMAN MAXI	3.3	TRIADE MINI AND BRACKET	3.14
KALABRONE	3.5	TRIADE	3.16
KALABRONE MAXI	3.7	TRIADE AND BRACKET	3.18
KALABRONE MINI	3.9	TRIADE MAXI	3.20
COBRONE	3.10	TRIADE MAXI AND BRACKET	3.22
TRIADE XXL	3.24	TRIADE XXL AND BRACKET	3.26
APPLICATION FOR ALL TRIADE VERSIONS	3.28	TRIADE AND TRIADE MINI ALU. PROFILE	3.29
TRIADE AND TRIADE MINI ALU. PROFILE	3.29	TRIADE MAXI AND TRIADE XXL ALU. PROFILE	3.21
CONNECTINGS			4
INSERT NUTS	4.1	PULL-IN CORNER BRACKET	4.7
SPREADING DOWELS	4.2	IN FRAME DOOR (DOOR STOP AND CORNER BRACKET)	4.8
DOWELS	4.3	SCREW FIXING JOINT FOR BOTTOM PANEL	4.9
SLEEVES	4.4	PAD	4.10
FLAT HEAD SLEEVE NUT AND CONNECTING SCREW	4.5	CROSS DOWELS	4.11
SLEEVE NUTS AND CONNECTING SCREWS	4.6	CAMS AND DOWELS	4.20
ELEFANT	4.27	TARGET J10	4.31
TARGET J12	4.35	SPIRAL LOCK	4.42
VIS	4.45	PLINTH CLIPS	4.49
WORKTOP CONNECTORS			5
QUICK	5.1		
SCREWS			6
COUNTERSUNK HEAD WOOD SCREWS	6.1	FLANGE HEAD METRIC SCREWS	6.3
PAN HEAD WOOD SCREWS	6.1	COUNTERSUNK HEAD METRIC SCREWS	6.3
EURO SCREWS	6.2	ONE PIECE CONNECTOR SCREWS	6.4
ALLEN WRENCHES	6.6		
DOOR BUFFERS AND COVER CAPS			7
BI-MATERIAL	7.1	DOOR BUFFERS	7.2
SOFT	7.1	COVER CAPS	7.6
K-FLEX	7.2	ECCENTRIC HOUSING COVER CAPS	7.8
NIKO	7.9	ADHESIVE HOLE COVERS	7.10
OPENING SYSTEMS FOR LIFT UP AND DROP DOWN DOORS			8
KRABY LIFT UP WITH STANDARD HINGES	8.1	COMPACT DROP DOWN W/STANDARD HINGES	8.50
KRABY LIFT UP W/STANDARD HINGES AND K PUSH TECH	8.9	COMPACT DROP DOWN W/KIMANA HINGES AND MAGNET K LOCK	8.54
KRABY DROP DOWN WITH STANDARD HINGES	8.12	COMPACT DROP DOWN W/FLAP HINGES AND MAGNET K LOCK	8.58
KRABY DROP DOWN W/KIMANA HINGES AND MAGNET K LOCK	8.16	COMPACT DROP DOWN W/STANDARD HINGES AND K PUSH TECH	8.61
KRABY DROP DOWN W/FLAP HINGES AND MAGNET K LOCK	8.20	COMPACT DROP DOWN W/KIMANA HINGES AND K PUSH TECH	8.64
KRABY DROP DOWN W/STANDARD HINGES AND K PUSH TECH	8.23	COMPACT DROP DOWN W/FLAP HINGES AND K PUSH TECH	8.68
KRABY DROP DOWN W/KIMANA HINGES AND K PUSH TECH	8.26	COMPACT BRACKETS	8.71
KRABY DROP DOWN W/FLAP HINGES AND K PUSH TECH	8.30	COMPACT ADAPTERS FOR ALUMINIUM FRAME DOOR	8.72
KRABY BRACKETS	8.33	K12 SYSTEM LIFT UP WITH STANDARD HINGES	8.76
KRABY ADAPTERS FOR ALUMINIUM FRAME DOOR	8.35	K12 SYSTEM BRACKETS	8.80
COMPACT LIFT UP WITH STANDARD HINGES	8.39	K12 SYSTEM LIFT UP W/STANDARD HINGES AND K PUSH TECH	8.82
COMPACT LIFT UP W/STANDARD HINGES AND K PUSH TECH	8.47	K12 SYSTEM DROP DOWN WITH STANDARD HINGES	8.85
K12 SYSTEM BRACKETS	8.89	K12 SYSTEM DROP DOWN W/KIMANA HINGES AND MAGNET K LOCK	8.91
K12 SYSTEM DROP DOWN W/KIMANA HINGES AND MAGNET K LOCK	8.91	K12 SYSTEM DROP DOWN W/FLAP HINGES AND MAGNET K LOCK	8.95
K12 SYSTEM DROP DOWN W/FLAP HINGES AND MAGNET K LOCK	8.95	K12 SYSTEM DROP DOWN W/STANDARD HINGES AND K PUSH TECH	8.98
K12 SYSTEM DROP DOWN W/STANDARD HINGES AND K PUSH TECH	8.98	K12 SYSTEM DROP DOWN W/KIMANA HINGES AND K PUSH TECH	8.101
K12 SYSTEM DROP DOWN W/KIMANA HINGES AND K PUSH TECH	8.101	K12 SYSTEM DROP DOWN W/FLAP HINGES AND K PUSH TECH	8.105
K12 SYSTEM DROP DOWN W/FLAP HINGES AND K PUSH TECH	8.105	K12 SYSTEM ADAPTERS FOR ALUMINIUM FRAME DOOR	8.108
K12 SYSTEM ADAPTERS FOR ALUMINIUM FRAME DOOR	8.108	LINK	8.112
LINK	8.112		
PUSH CATCHES AND MAGNETIC CATCHES			9
K PUSH TECH	9.1	K LOCK	9.13
K PUSH TECH AND K LOCK DOOR PLATES	9.16		
LEVELLERS			10
INTEGRATO WITH ZINC ALLOY FOOT	10.1	DEDALO	10.20
INTEGRATO WITH ENGINEERING PLASTIC FOOT	10.7	LEVELLER Ø14	10.23
INTEGRATO SPACERS	10.16	REKORD 12	10.28
INTEGRATO Z	10.18	ATACAMA	10.34
ATACAMA J	10.38	ATACAMA J WITH HEIGHT ADAPTER	10.43
HINGES			11
KIMANA	11.1	KIMANA ADAPTERS	11.5
KIMANA SPACERS	11.7		
HANGERS			12
LIBRA H1	12.3	LIBRA H7 SCREW FIXING	12.27
LIBRA H2	12.5	LIBRA H7 DOWEL FIXING W/ALUMINIUM BAR LIVING SETTINGS	12.30
LIBRA H3	12.8	LIBRA H7 DOWEL FIXING W/ALUMINIUM BAR	12.31
LIBRA H4	12.11	SPACERS FOR LIBRA H7 ALU BAR H. 80,5	12.40
LIBRA H6	12.17	LIBRA H7 SCREW FIXING W/"PEG JOINT" FOR ALUMINIUM BAR	12.41
LIBRA CH	12.21	LIBRA H7 DOWEL FIXING WITHOUT "PEG JOINT"	12.43
LIBRA WALL PLATES	12.48	LIBRA COVER CAPS	12.50
LIBRA BS	12.54	LIBRA BS LEVELLER	12.65
LIKU	12.69		
WARDROBE TUBES SUPPORTS			13
WARDROBE TUBES SUPPORTS	13.1	ELITE	13.2
LEADER	13.3		

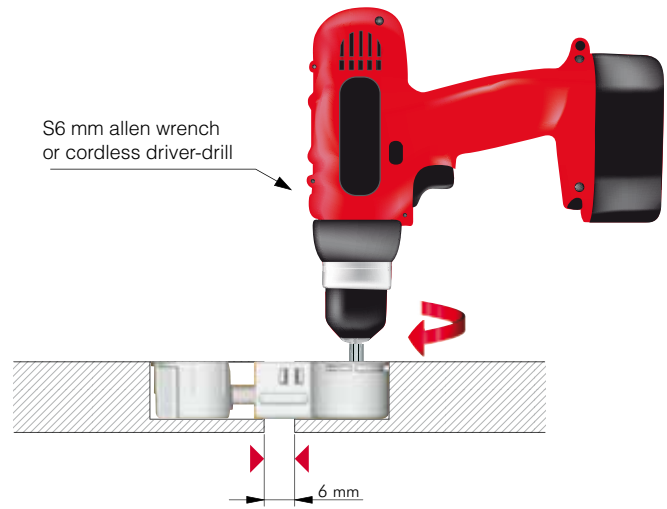
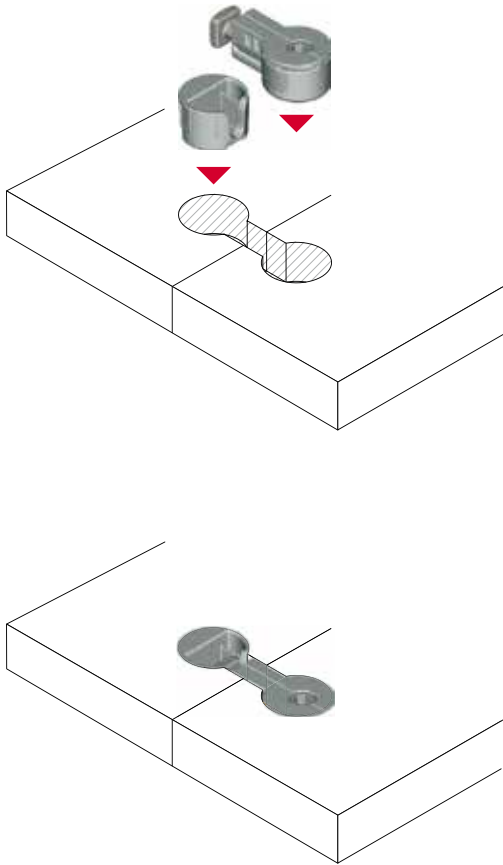


QUICK

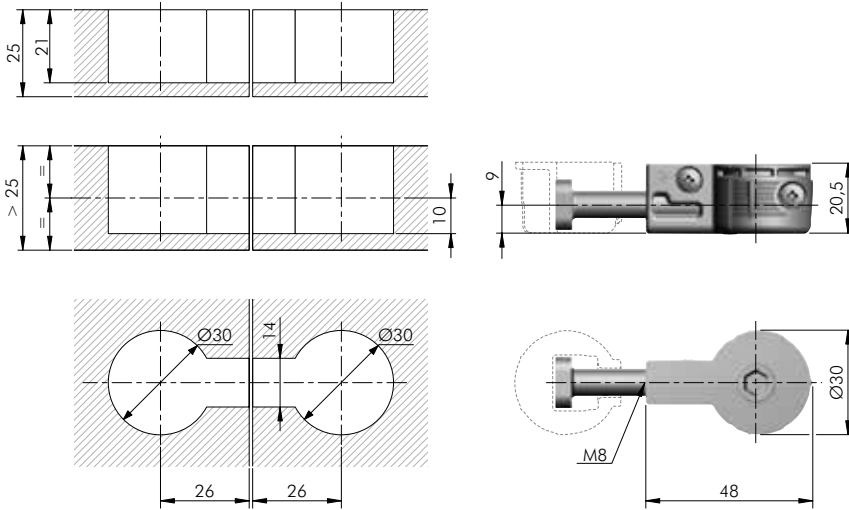


25 mm min.

UNI 9429/89
Tested in accordance with CATAS procedures

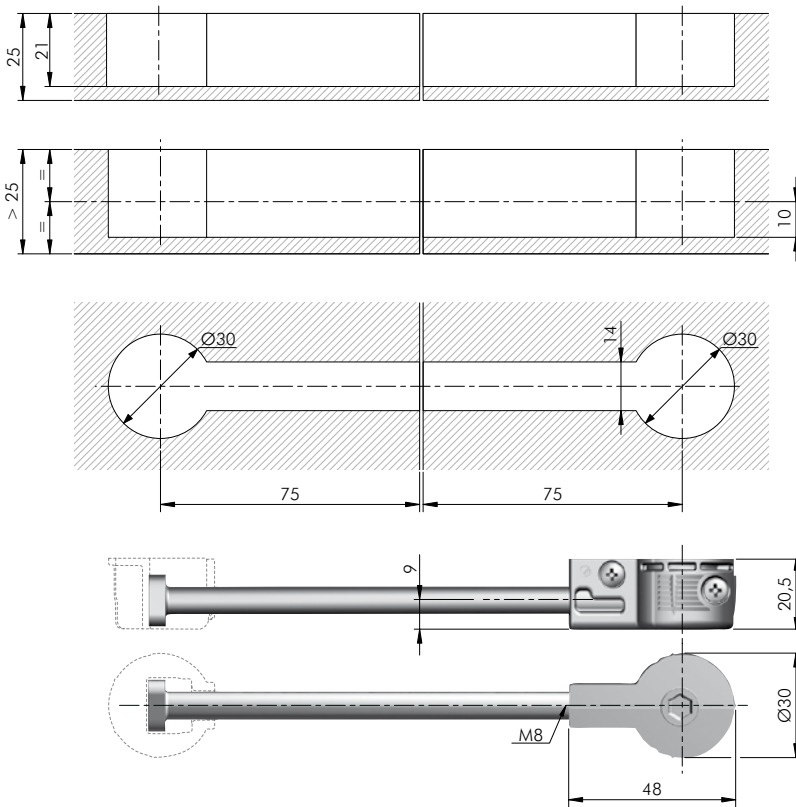


5

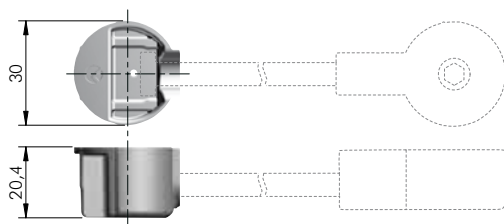


= Ø 30 mm
 = S6
 ZA ST EP = 350 pcs.
 123
 2161101000

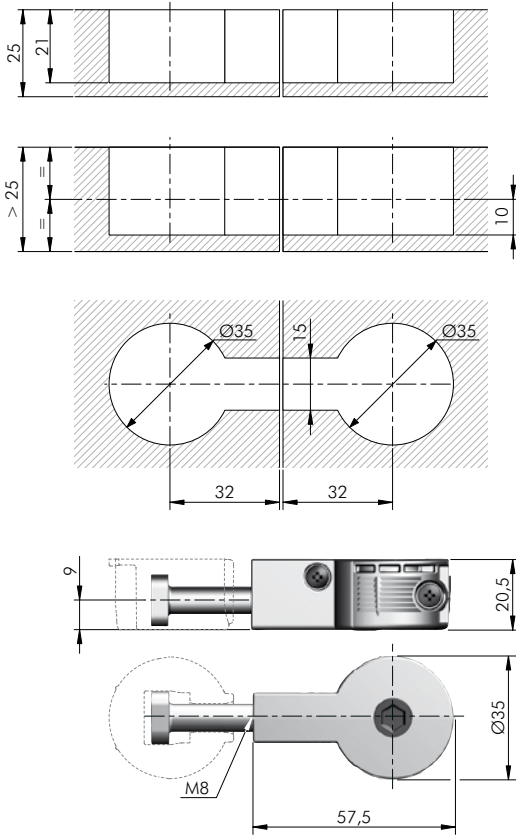
5



= Ø 30 mm
 = S6
 ZA ST EP = 150 pcs.
 123
 2161102000



= Ø 30 mm
 EP = 700 pcs.
 123
 2161001000

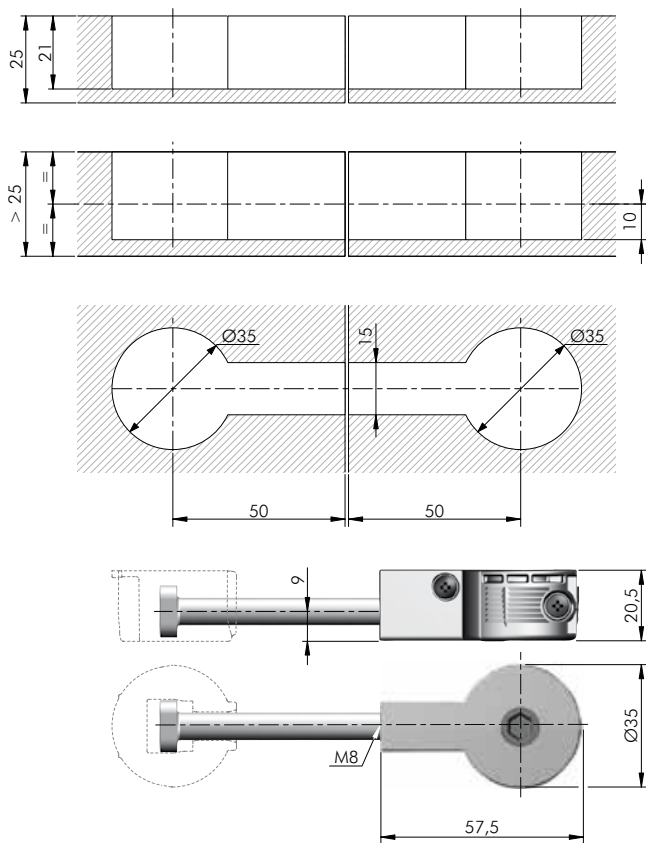


= Ø 35 mm = S6
 ZA ST EP = 250 pcs.



2162101000

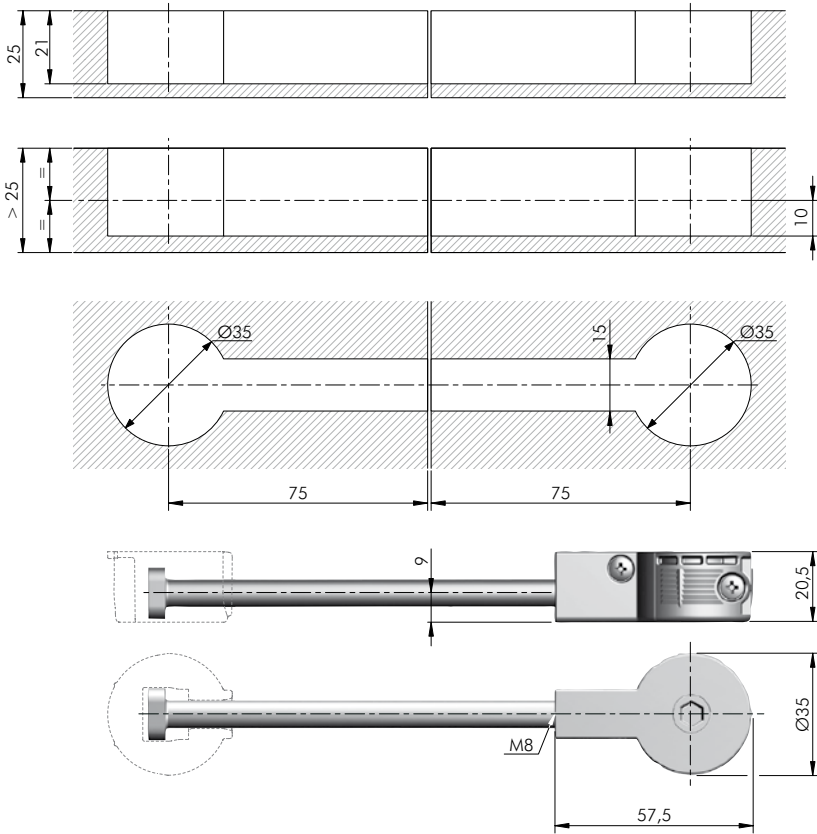
5



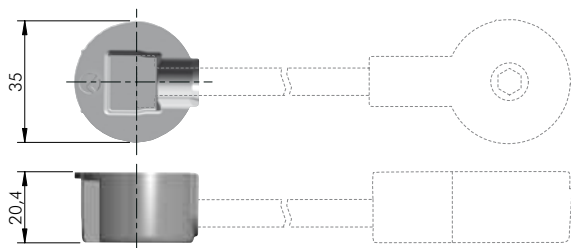
= Ø 35 mm = S6
 ZA ST EP = 150 pcs.



2162104000



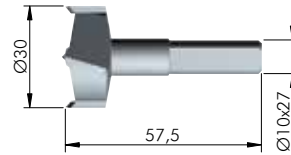
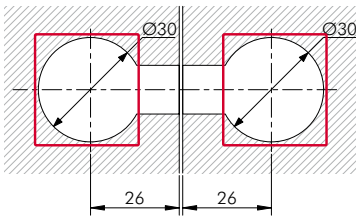
	= Ø 35 mm		= S6
ZA	ST	EP	
		2162102000	



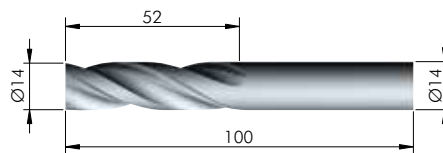
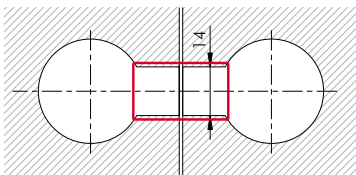
	= Ø 35 mm		
EP			= 500 pcs.
		2162001000	



DRILL BIT FOR QUICK Ø 30 mm



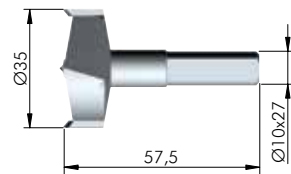
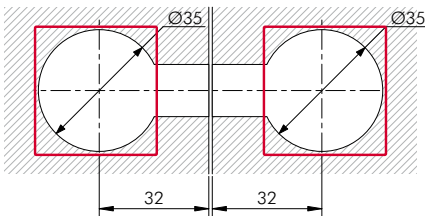
HSS	= on request
123	
2161309000	



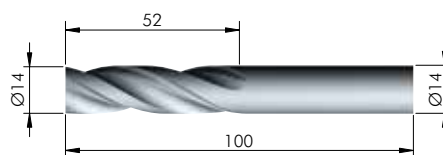
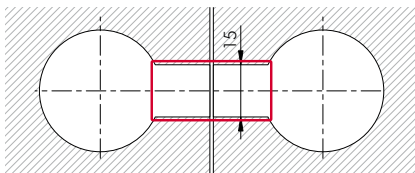
HSS	= on request
123	
1621454000	

5

DRILL BIT FOR QUICK Ø 35 mm



HSS	= on request
123	
3175201000	



HSS	= on request
123	
1621454000	



5

 5.6