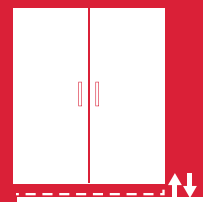
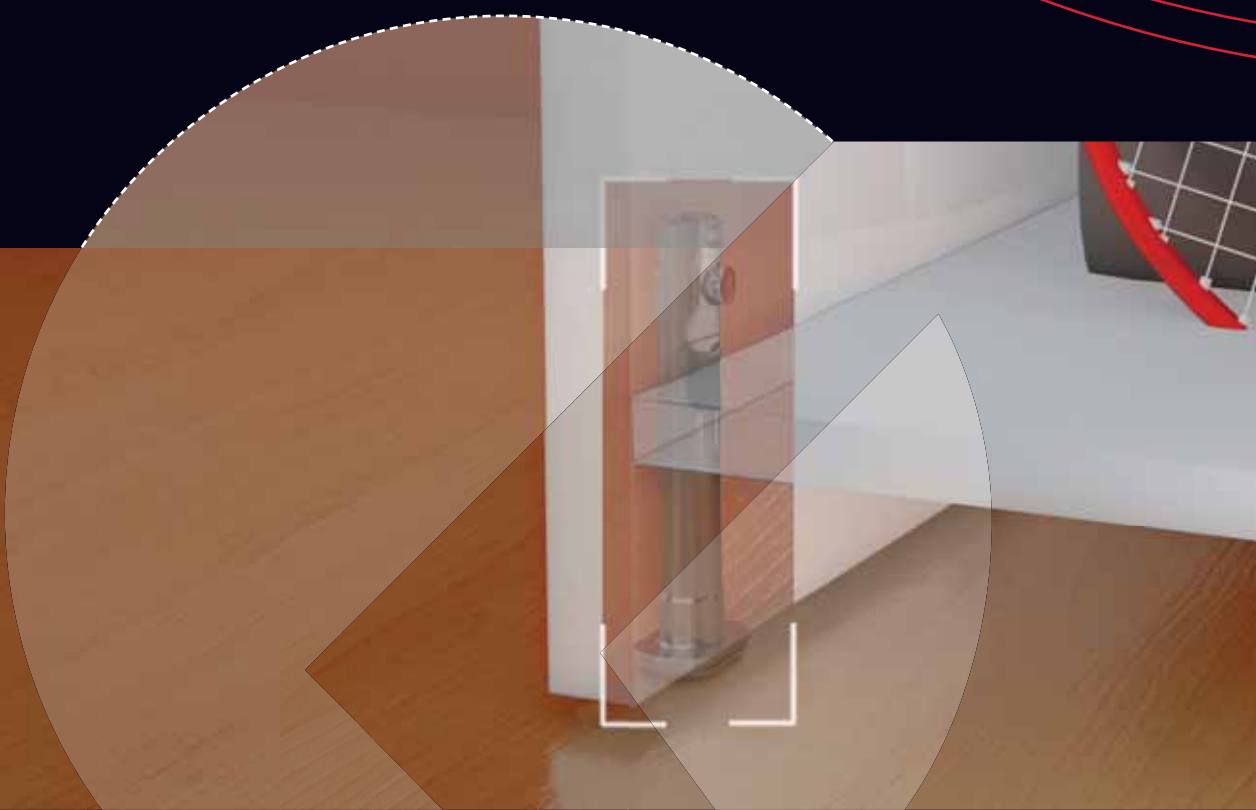


REKORD 12



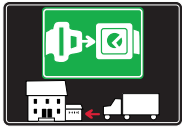
LEVELLERS





# SYMBOLS AND FINISHES LEGEND

## SYMBOLS



= SHELF SAFELY LOCKED DURING TRANSPORTATION AND AT HOME.



= ANTI-TURNOVER LOCKING SYSTEM



= NORMS / PATENTS



= PHILLIPS / POZIDRIV



= NEWTON



= PART.NO



= HEXAGONAL SOCKET



= FRICTION



= PCS. PER PACKAGE



= BLADE SLOT



= AUTOMATIC



= COMBI SLOT



= DROP DOWN



= CAPACITY LOADING



= COUNTERSUNK HEAD



= WOOD / GLASS THICKNESS



= PAN HEAD



= STANDARD HINGE



= HOLE DIAMETER



= FLANGE HEAD



= KIMANA HINGE



= DIAMETER



= FLAT HEAD



= FLAP HINGE



= LENGTH



= TRILOBULAR SCREW



= WITH SPRING



= HEIGHT



= SELF-TAPPING SCREW



= WITHOUT SPRING



= RIGHT VERSION



= EURO THREAD



= REVERSED SPRING



= LEFT VERSION



= METRIC THREAD



= SETTING CODE



= PRE-INSERTED SCREW



= FOR ROUND TUBE



= PCS. PER PAD



= PRE-INSERTED SCREW AND SPREADING BUSH



= FOR OVAL TUBE



= CUT ON REQUEST



= WITH BUFFER



= SELF ADHESIVE



= WITH MAGNET



= WITH FLANGE

NOTE: Printing errors and omissions may exist despite our best efforts to ensure accuracy. We reserve the right to alter specifications without notice.

## MATERIALS

|                                        |                                 |                               |                   |                                              |
|----------------------------------------|---------------------------------|-------------------------------|-------------------|----------------------------------------------|
| <b>ZA</b> = Zinc Alloy                 | <b>ST</b> = Steel               | <b>HSS</b> = High Speed Steel | <b>BR</b> = Brass | <b>ABS</b> = Acrylonitrile Butadiene Styrene |
| <b>ZAnk</b> = Nickel-plated Zinc Alloy | <b>STzk</b> = Zinc-plated Steel | <b>AL</b> = Aluminium         | <b>WD</b> = Wood  | <b>EVA</b> = Ethylene Vinyl Acetate          |

**EP** = **ENGINEERING PLASTIC**

+ **EP** = other engineering plastic available on request

**SR** = **SOFT RUBBER**

+ **SR** = other soft rubber available on request

|                                               |                                        |                                  |
|-----------------------------------------------|----------------------------------------|----------------------------------|
| <b>EPn</b> = Natural Engineering Plastic      | <b>EPc</b> = Clear Engineering Plastic | <b>SRn</b> = Natural Soft Rubber |
| <b>EPw</b> = White Engineering Plastic        | <b>EPg</b> = Grey Engineering Plastic  | <b>SRw</b> = White Soft Rubber   |
| <b>EPwg</b> = Water Green Engineering Plastic |                                        | <b>SRb</b> = Black Soft Rubber   |



## FINISHES



+ **OTHER FINISHES AVAILABLE ON REQUEST**

|    |               |    |                          |    |                              |
|----|---------------|----|--------------------------|----|------------------------------|
| AA | Natural       | JB | Bright Aluminium         | QB | Walnut                       |
| AB | White         | JC | Aluminium - Chrome       | RO | Red                          |
| AC | Opal White    | JD | Matt Aluminium           | UZ | T -Met                       |
| AE | White 9010    | JE | Satin-finished Aluminium | WA | Bronzed                      |
| AK | Champagne     | JF | Aluminium - Brass        | WI | Burnished                    |
| AL | Ivory         | JG | Aluminium 5              | XD | Satin-finished Steel         |
| EA | Black         | JL | Aluminium PE 11          | YA | Nickel-plated                |
| EB | Glossy Black  | JM | Aluminium RAL 9006       | YB | Bright Nickel-plated         |
| EC | Matt Black    | KA | Chrome                   | YC | Matt Nickel-plated           |
| EE | Anthracite    | KB | Bright Chrome            | YD | Satin-finished Nickel-plated |
| FU | Gunmetal      | KC | Matt Chrome              | ZA | Zinc alloy                   |
| GR | Raw           | MA | Brown                    | ZN | Zinc-plated                  |
| HA | Brass-Plated  | MB | Light Brown 1            | ZQ | Bright Gold                  |
| HH | Tropicalized  | NN | Metallic Beige           | ZY | Titanium                     |
| HL | Raw Brass     | NO | Beige                    | ZZ | Clear                        |
| IA | Grey          | OA | Oak                      | 00 | Insignificant finish         |
| IB | Metallic Grey | OZ | Ash                      |    |                              |
| IF | Middle Grey   | PA | Light Ash                |    |                              |
| IJ | Light Grey    | PZ | Beech                    |    |                              |
| IL | Grey 20       | QA | Maple                    |    |                              |



## REKORD 12

REKORD 12 is the concealed leveller for sides 18mm thick (minimum) suitable to align heavy duty wardrobes, bookcases and modular furniture, especially conceived for flat pack furniture.

It is placed to the bottom edge of the side carcass and it is then adjustable through the Ø 8 mm access hole drilled to the inside carcass, by using a S4mm allen wrench.

The engineering plastic glide is independent in order to make the adjustment easier and to prevent the scratching of the floor too.

It is available in four versions: hole centres 52, 70, 96, 120mm.

The weight transmission rapport 1:1,5 of the gears, reduces the lifting effort.

Zinc alloy, engineering plastic and steel.

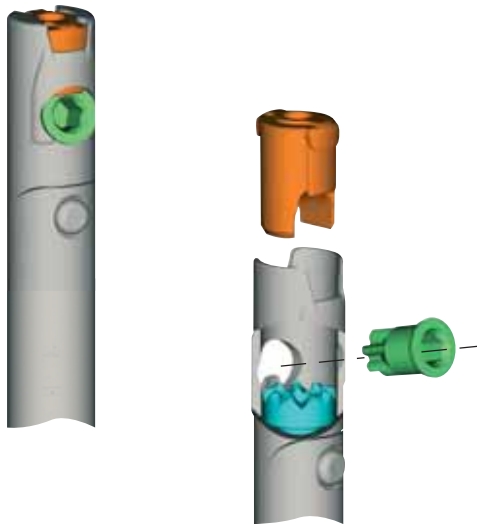
Loading capacity: 150 Kg each.

Very light and effortless adjustment.  
12mm adjustment.

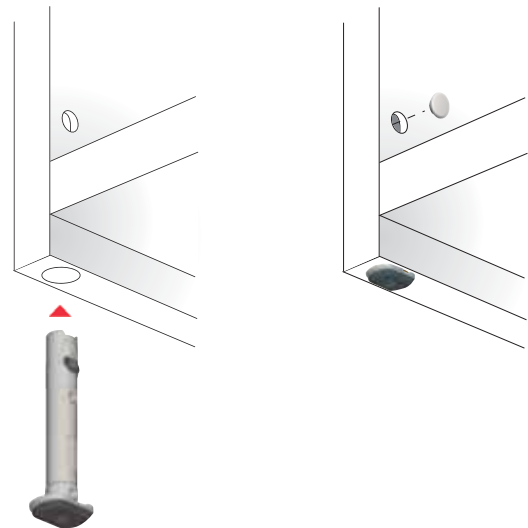
150 Kg per piece



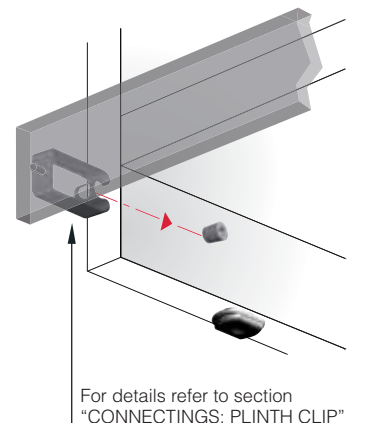
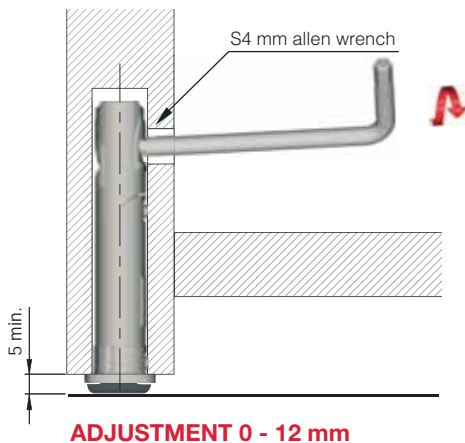
Tested in accordance with CATAS procedures



### INSTALLATION



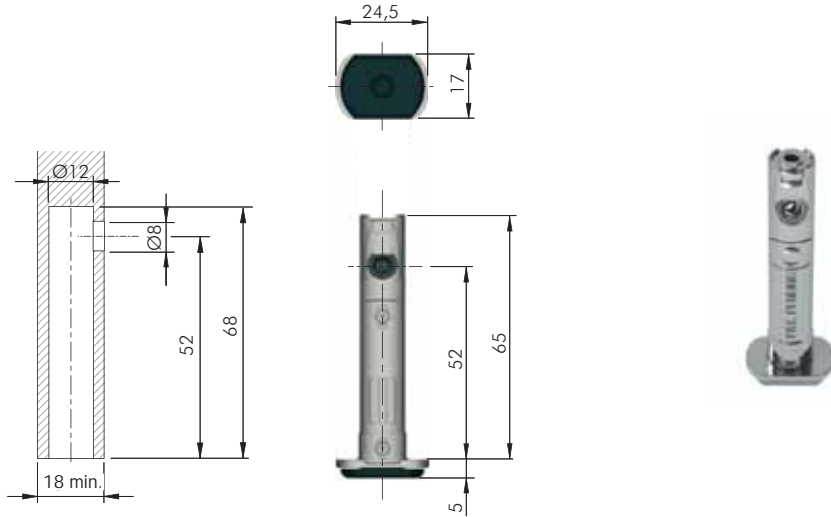
### ADJUSTMENT



For details refer to section "CONNECTINGS: PLINTH CLIP"

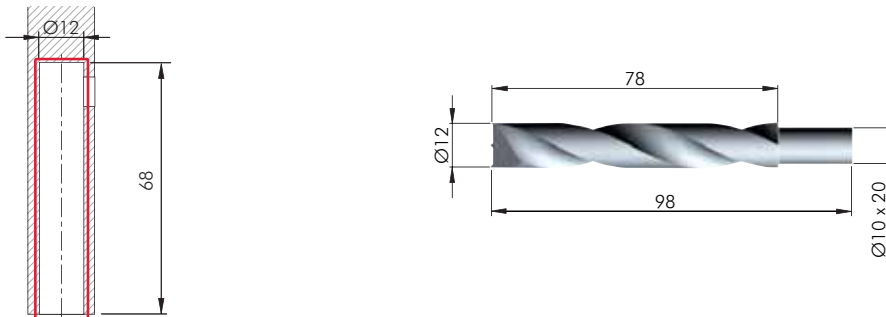


**REKORD 12 H 52 mm**

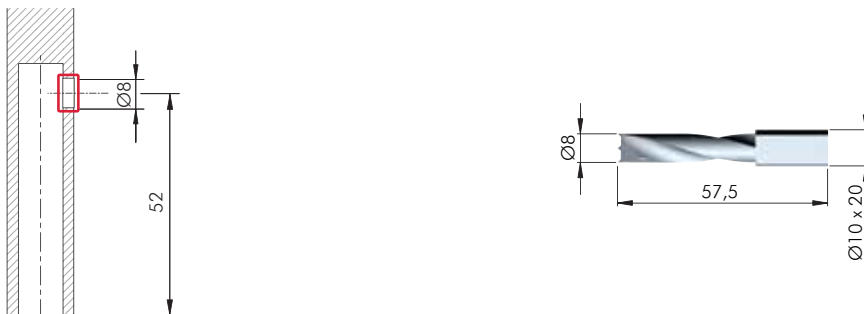


|            |            |
|------------|------------|
| = S4 mm    | = 200 pcs. |
| ZA EP ST   |            |
| 123        |            |
| 3030101000 |            |

**DRILL BIT FOR REKORD 12 H 52 mm**



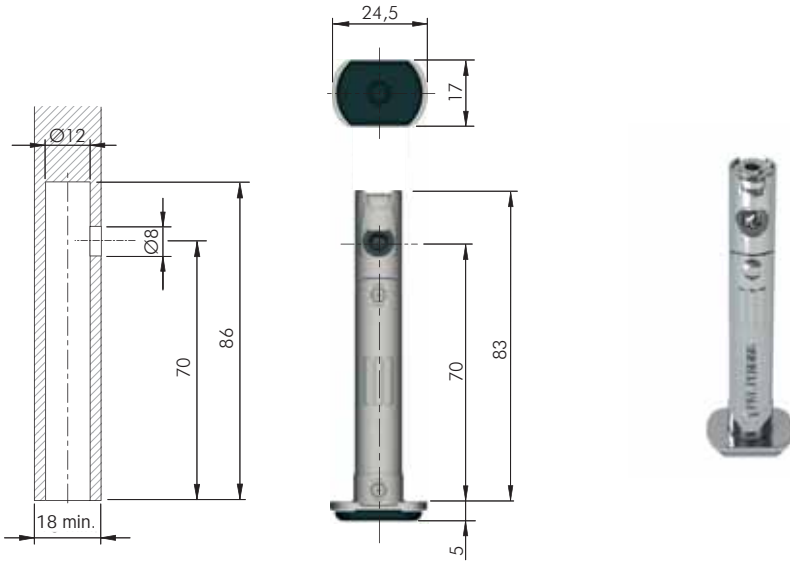
|            |              |
|------------|--------------|
| HSS        | = on request |
| 123        |              |
| 3030158000 |              |



|            |              |
|------------|--------------|
| HSS        | = on request |
| 123        |              |
| 1145202000 |              |

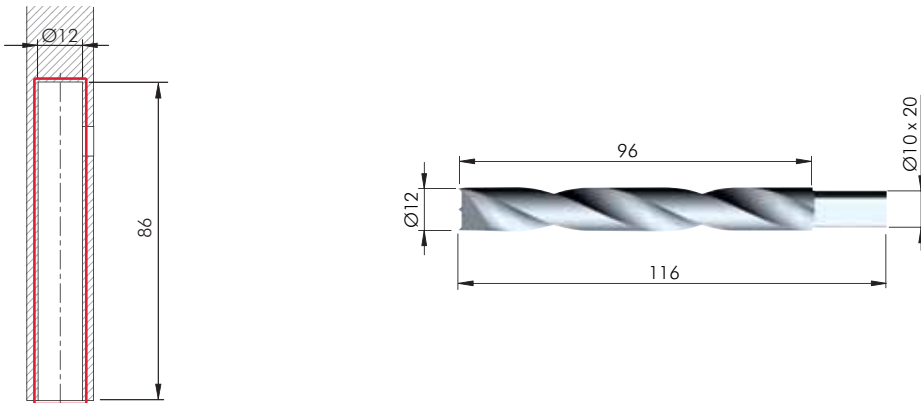


## REKORD 12 H 70 mm

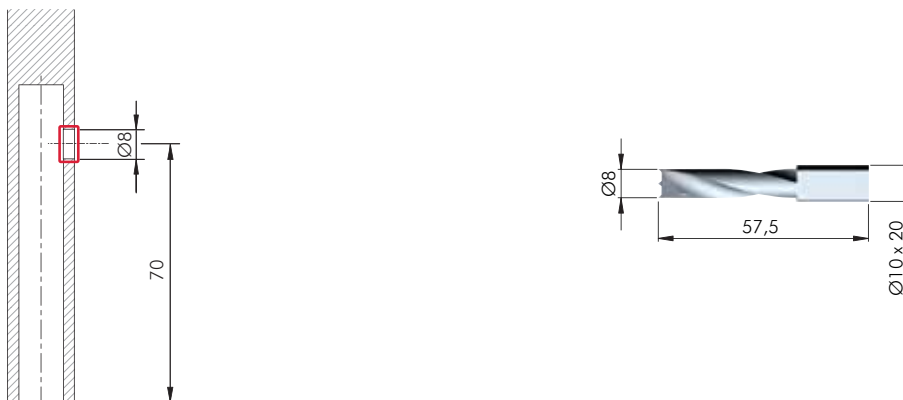


|            |            |
|------------|------------|
| = S4 mm    | = 150 pcs. |
| ZA EP ST   |            |
| 123        |            |
| 3030102000 |            |

## DRILL BIT FOR REKORD 12 H 70 mm



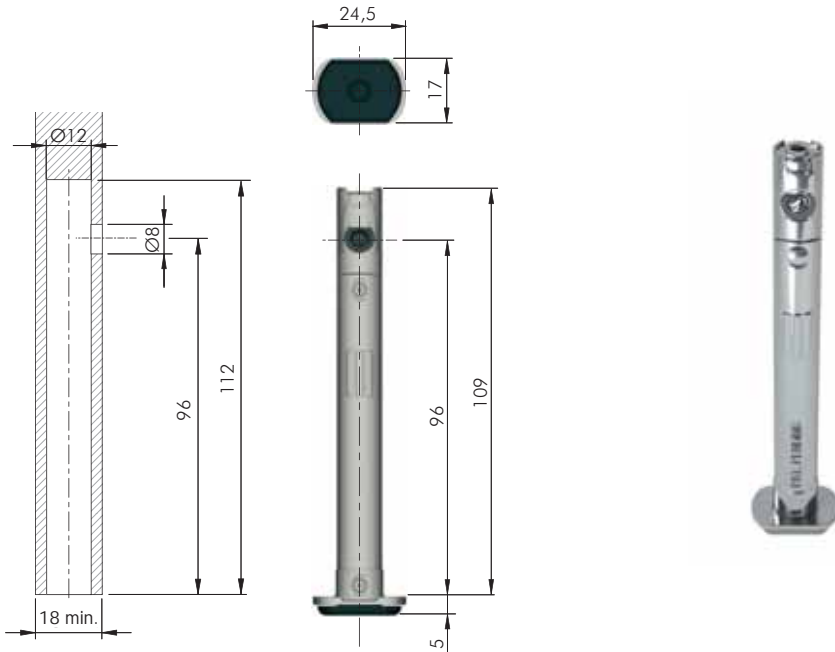
|            |              |
|------------|--------------|
| HSS        | = on request |
| 123        |              |
| 3030159000 |              |



|            |              |
|------------|--------------|
| HSS        | = on request |
| 123        |              |
| 1145202000 |              |

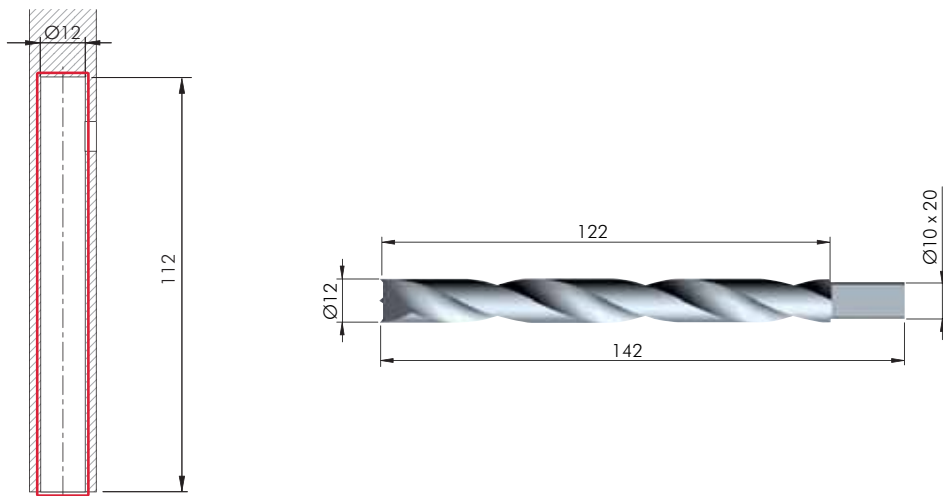


**REKORD 12 H 96 mm**

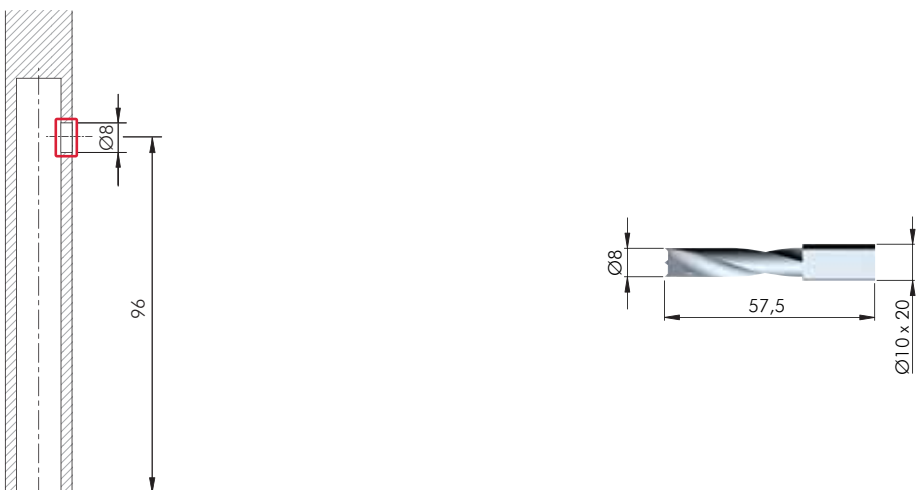


= S4 mm  
 = 125 pcs.  
 123   
 3030103000

**DRILL BIT FOR REKORD 12 H 96 mm**



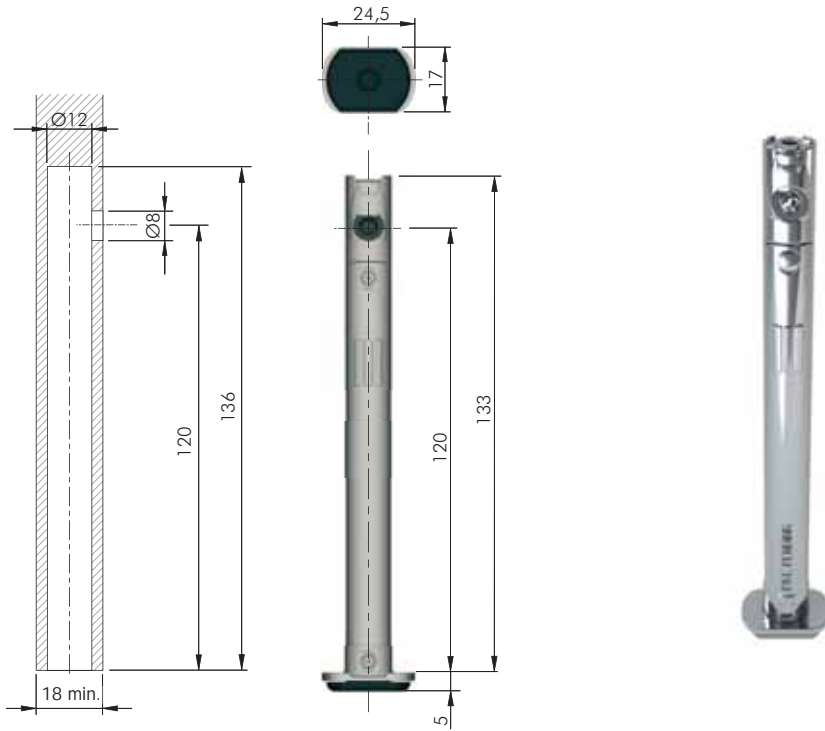
= on request  
 123   
 3030153000



= on request  
 123   
 1145202000

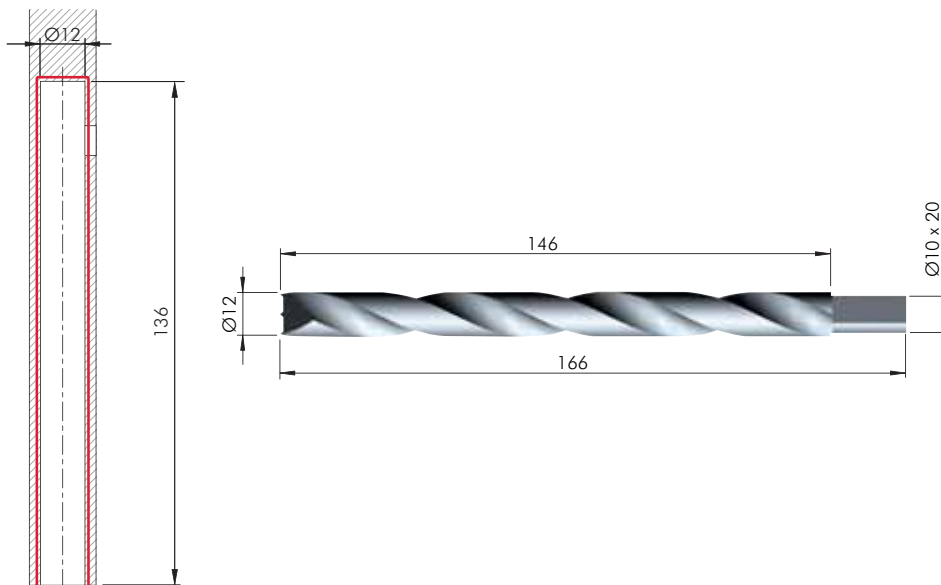


## REKORD 12 H 120 mm



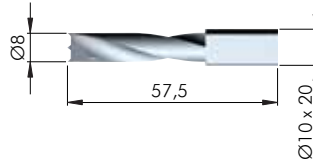
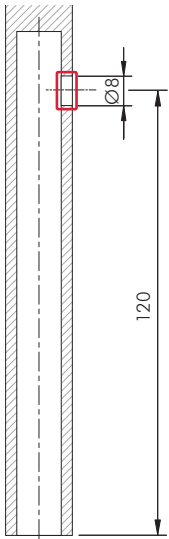
|            |         |    |            |
|------------|---------|----|------------|
|            | = S4 mm |    | = 100 pcs. |
| ZA         | EP      | ST |            |
|            |         |    |            |
| 3030104000 |         |    |            |

## DRILL BIT FOR REKORD 12 H 120 mm



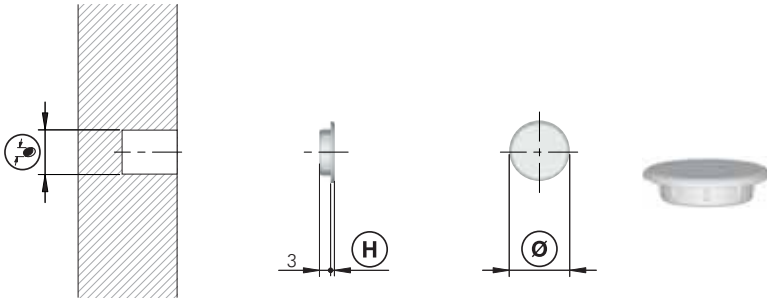
|            |  |              |
|------------|--|--------------|
| HSS        |  | = on request |
|            |  |              |
| 3030152000 |  |              |





|            |              |
|------------|--------------|
| HSS        | = on request |
| 123        |              |
| 1145202000 |              |

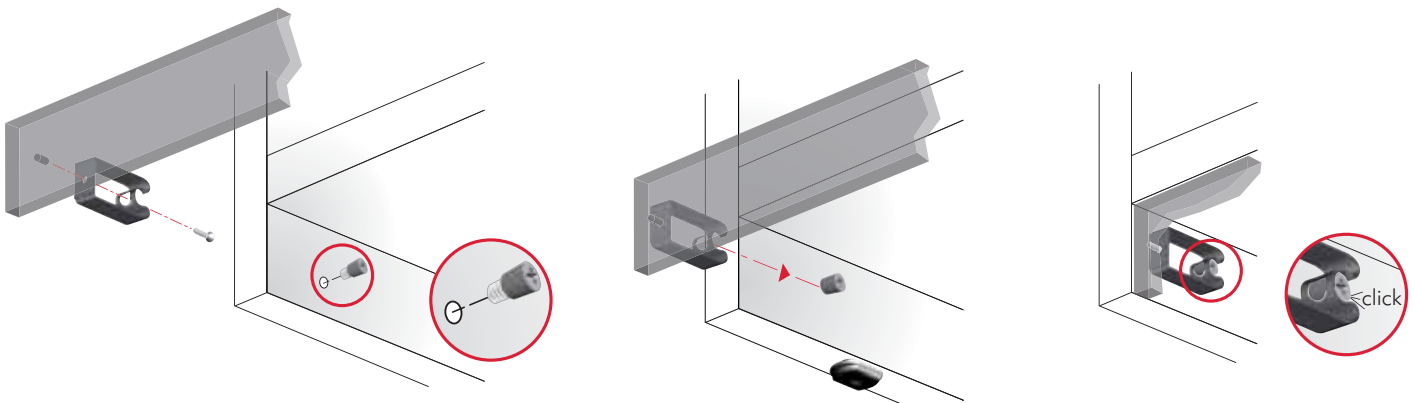
## REKORD 12 ACCESSORY

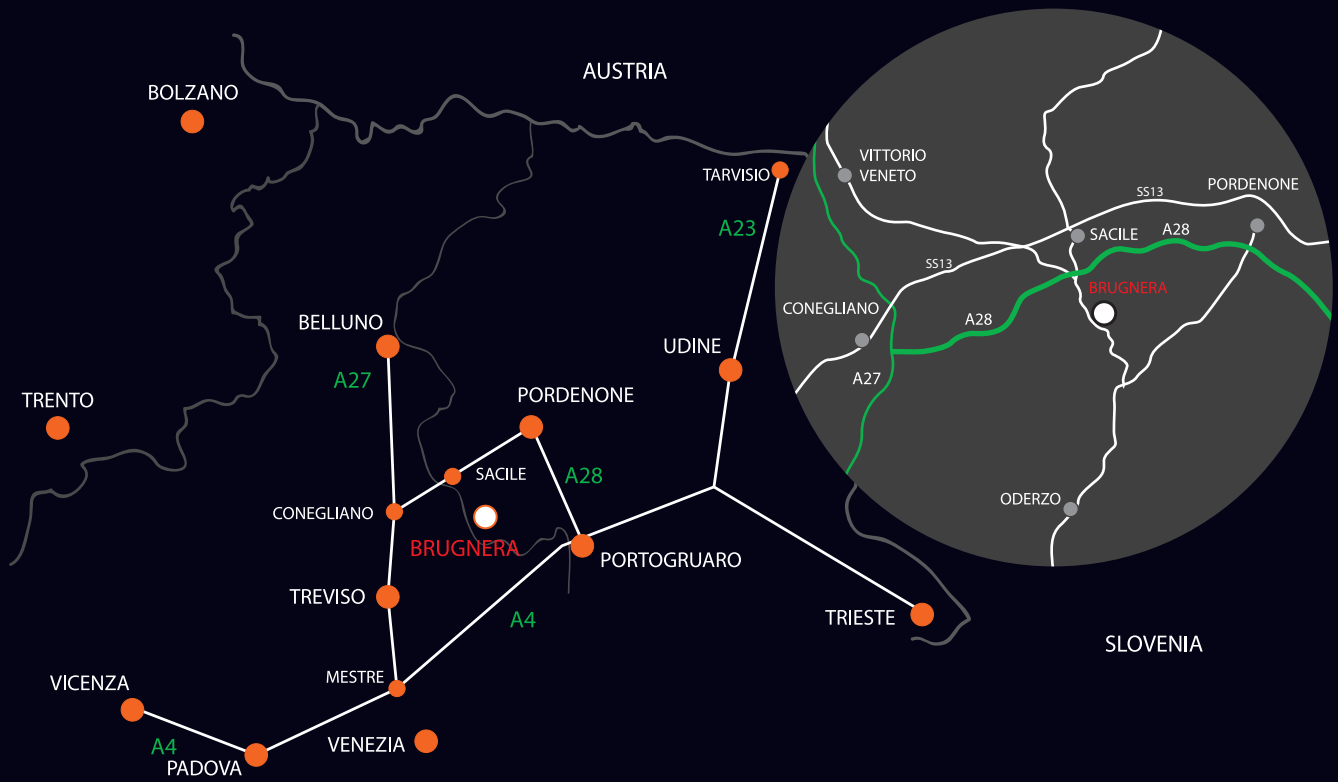


|            |     |      |   |      |  |
|------------|-----|------|---|------|--|
| = Ø 8 mm   |     |      |   |      |  |
| EP         |     |      |   |      |  |
| 123        |     |      |   |      |  |
| 23002010AB | Ø 8 | Ø 11 | 1 | 5000 |  |

## PLINTH CLIP FOR REKORD 12

- For details refer to section "CONNECTINGS: PLINTH CLIP"





[www.italianaferramenta.com](http://www.italianaferramenta.com)