

LIBRA H1



HANGERS





SYMBOLS AND FINISHES LEGEND

SYMBOLS



= SHELF SAFELY LOCKED DURING TRANSPORTATION AND AT HOME.



= ANTI-TURNOVER LOCKING SYSTEM



= NORMS / PATENTS



= PHILLIPS / POZIDRIV



= NEWTON



= PART.NO



= HEXAGONAL SOCKET



= FRICTION



= PCS. PER PACKAGE



= BLADE SLOT



= AUTOMATIC



= COMBI SLOT



= DROP DOWN



= CAPACITY LOADING



= COUNTERSUNK HEAD



= WOOD / GLASS THICKNESS



= PAN HEAD



= STANDARD HINGE



= HOLE DIAMETER



= FLANGE HEAD



= KIMANA HINGE



= DIAMETER



= FLAT HEAD



= FLAP HINGE



= LENGTH



= TRILOBULAR SCREW



= WITH SPRING



= HEIGHT



= SELF-TAPPING SCREW



= WITHOUT SPRING



= RIGHT VERSION



= EURO THREAD



= REVERSED SPRING



= LEFT VERSION



= METRIC THREAD



= SETTING CODE



= PRE-INSERTED SCREW



= FOR ROUND TUBE



= PCS. PER PAD



= PRE-INSERTED SCREW AND SPREADING BUSH



= FOR OVAL TUBE



= CUT ON REQUEST



= WITH BUFFER



= SELF ADHESIVE



= WITH MAGNET



= WITH FLANGE

NOTE: Printing errors and omissions may exist despite our best efforts to ensure accuracy. We reserve the right to alter specifications without notice.

MATERIALS

ZA = Zinc Alloy	ST = Steel	HSS = High Speed Steel	BR = Brass	ABS = Acrylonitrile Butadiene Styrene
ZAnk = Nickel-plated Zinc Alloy	STzk = Zinc-plated Steel	AL = Aluminium	WD = Wood	EVA = Ethylene Vinyl Acetate

EP = **ENGINEERING PLASTIC**
 + **EP** = other engineering plastic available on request

SR = **SOFT RUBBER**
 + **SR** = other soft rubber available on request

EPn = Natural Engineering Plastic	EPc = Clear Engineering Plastic	SRn = Natural Soft Rubber
EPw = White Engineering Plastic	EPg = Grey Engineering Plastic	SRw = White Soft Rubber
EPwg = Water Green Engineering Plastic		SRb = Black Soft Rubber



FINISHES



+ **OTHER FINISHES AVAILABLE ON REQUEST**

AA	Natural	JB	Bright Aluminium	QB	Walnut
AB	White	JC	Aluminium - Chrome	RO	Red
AC	Opal White	JD	Matt Aluminium	UZ	T -Met
AE	White 9010	JE	Satin-finished Aluminium	WA	Bronzed
AK	Champagne	JF	Aluminium - Brass	WI	Burnished
AL	Ivory	JG	Aluminium 5	XD	Satin-finished Steel
EA	Black	JL	Aluminium PE 11	YA	Nickel-plated
EB	Glossy Black	JM	Aluminium RAL 9006	YB	Bright Nickel-plated
EC	Matt Black	KA	Chrome	YC	Matt Nickel-plated
EE	Anthracite	KB	Bright Chrome	YD	Satin-finished Nickel-plated
FU	Gunmetal	KC	Matt Chrome	ZA	Zinc alloy
GR	Raw	MA	Brown	ZN	Zinc-plated
HA	Brass-Plated	MB	Light Brown 1	ZQ	Bright Gold
HH	Tropicalized	NN	Metallic Beige	ZY	Titanium
HL	Raw Brass	NO	Beige	ZZ	Clear
IA	Grey	OA	Oak	00	Insignificant finish
IB	Metallic Grey	OZ	Ash		
IF	Middle Grey	PA	Light Ash		
IJ	Light Grey	PZ	Beech		
IL	Grey 20	QA	Maple		

LIBRA H1 - H2 - H3 - H4 LIVING SETTINGS





LIBRA H1

LIBRA is the innovative family of CABINET HANGERS and WALL PLATES especially conceived to satisfy all the customer's needs. The LIBRA hangers are to be installed behind the rear panel with the only small cover caps left visible inside the cabinet.

LIBRA is a very resistant and reliable solution as the zinc-coated steel body is sensibly thicker, and therefore stronger.

All the models within the **LIBRA** family feature an innovative **ANTI-TURNOVER** device which is covered by patent.

LIBRA H1 is the universal screw fixing cabinet hanger. Also featured in the **LIBRA** family are 5 types of wall plates and 1 types of wall bars made of very thick zinc-coated steel and hardened by punched impressions. Wall bars and wall plates feature oval holes which facilitate the correct positioning and give the possibility to carry out the horizontal adjustment.

Placement of the holes for wall-fixation has been optimised to reduce the stress on the plates and on the plugs.

LIBRA cabinet hangers allow to adjust the cabinet vertically and horizontally. The 2 movements are 100% **INDEPENDENT** of each other and therefore make the adjustments much easier and more efficient.

The adjustment and the locking of the **ANTI-TURNOVER** bolt can be carried out from the inside of the cabinet by using a standard PZ2 screwdriver.

Capacity Loading 75 Kilos per piece

Steel, Zinc alloy

75 Kg per piece

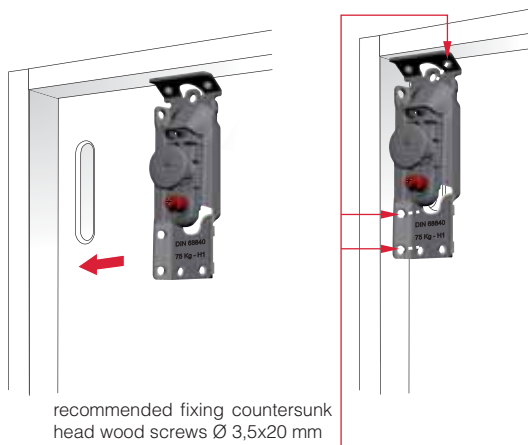


In accordance with the regulation DIN 68840

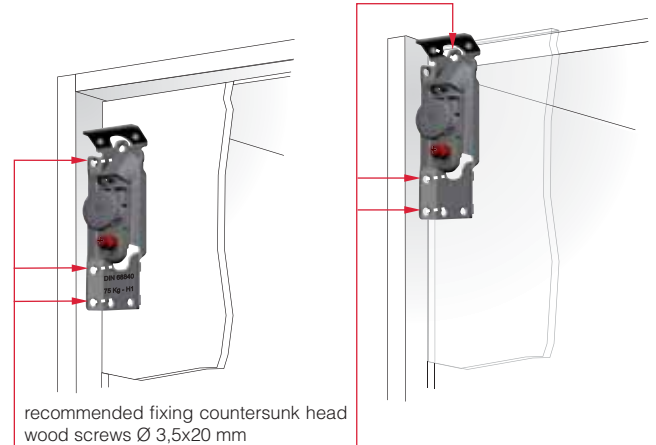
PATENTED



INSTALLATION UNDER THE CABINET TOP

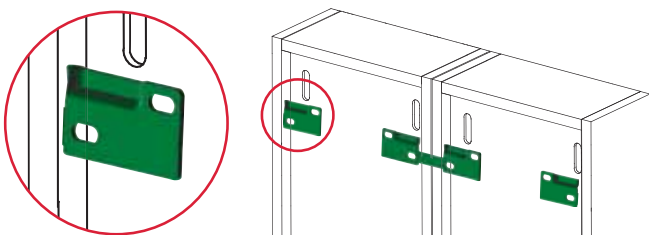


ALTERNATIVE INSTALLATIONS



INSTALLATION ON THE WALL

- For details refer to "LIBRA WALL PLATES"

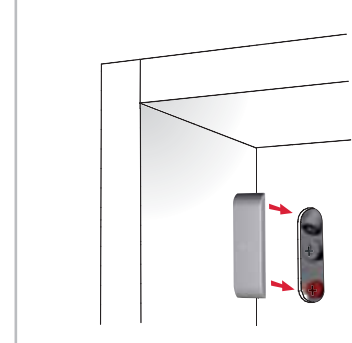


It is the responsibility of the customer:
- to ensure that the wall is of a suitable quality to hold the unit fixing in place.
- to use the proper hardware fittings according to the construction of the wall.

For more specific information, please refer to the WARNINGS section at the end of the catalogue.

COVER CAP INSERTING

- For details refer to "LIBRA COVER CAPS"

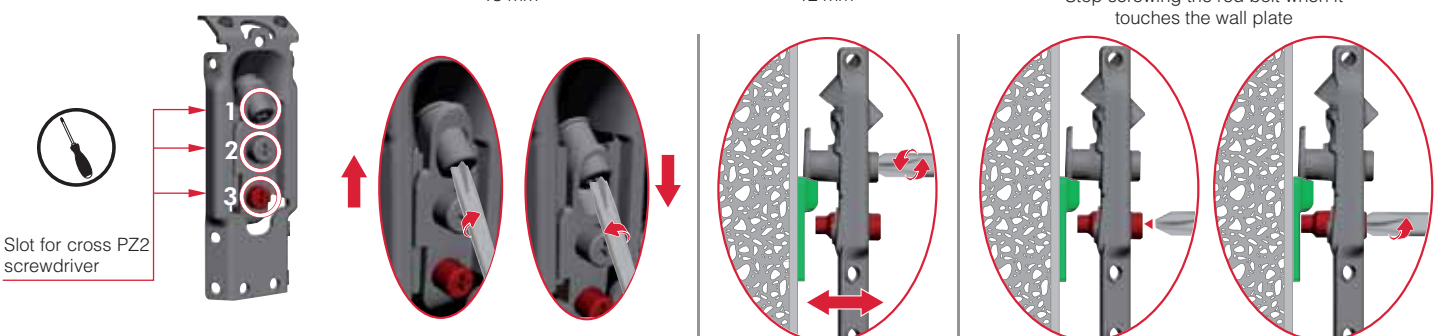


ADJUSTMENTS

1
VERTICAL ADJUSTMENT
13 mm

2
IN-DEPTH ADJUSTMENT
12 mm

3
ANTI-TURNOVER LOCKING
Stop screwing the red bolt when it touches the wall plate



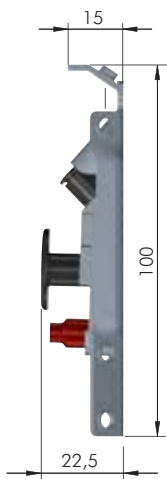
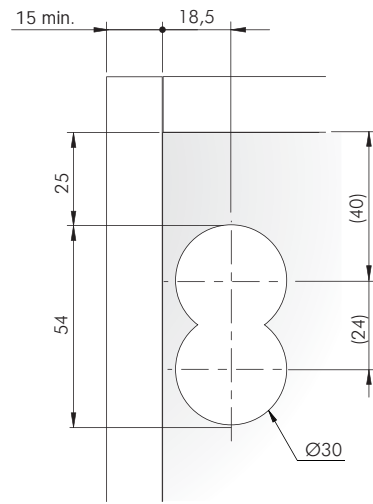
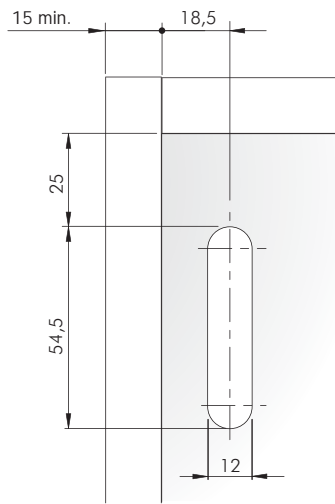
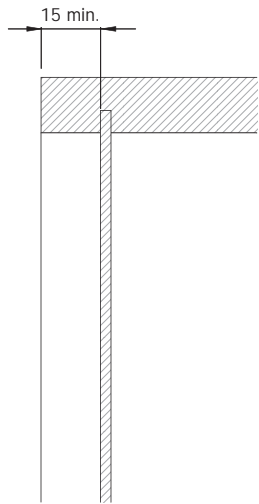
DRILLING PLAN FOR LIBRA H1 FIXED UNDER THE CABINET TOP

SIDE PANEL AND SERVICE GAP

BACK PANEL

Libra CC1-CC4-CC5 cover cap

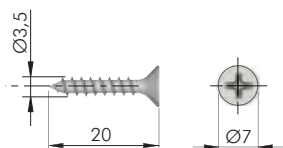
Libra CC2 cover cap



= PZ2
 = 100 pcs.

 63420010ZN

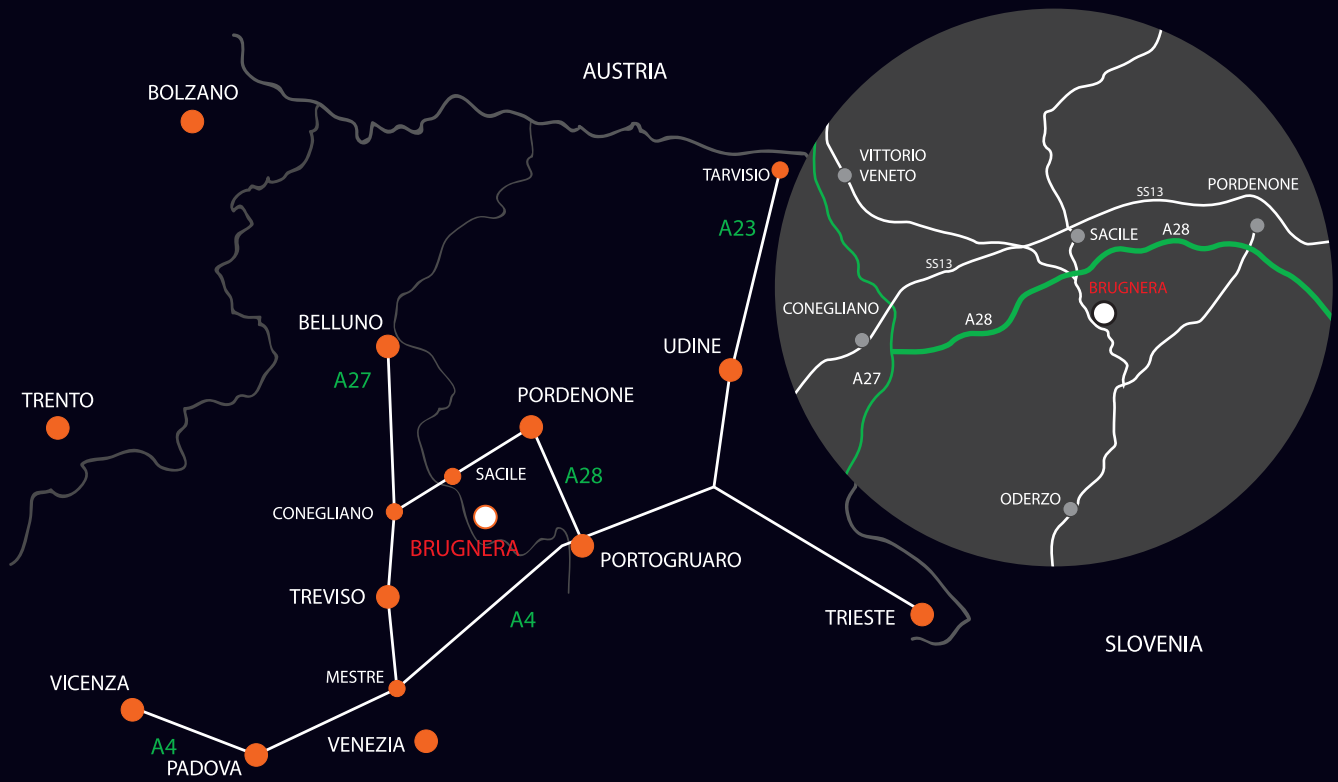
LIBRA H1 FIXING ACCESSORY



= PZ2 +
 = 8000 pcs.

 60101410ZN





www.italianaferramenta.com