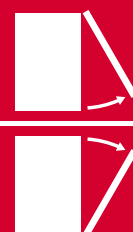


KRABY LID STAY SYSTEM



OPENING  
SYSTEMS  
FOR FLAP AND  
DROP DOWN  
DOORS



# SYMBOLS AND FINISHES LEGEND

## SYMBOLS



= SHELF SAFELY LOCKED DURING TRANSPORTATION AND AT HOME.



= ANTI-TURNOVER LOCKING SYSTEM



= NORMS / PATENTS



= PHILLIPS / POZIDRIV



= NEWTON



= PART.NO



= HEXAGONAL SOCKET



= FRICTION



= PCS. PER PACKAGE



= BLADE SLOT



= AUTOMATIC



= COMBI SLOT



= DROP DOWN



= CAPACITY LOADING



= COUNTERSUNK HEAD



= WOOD / GLASS THICKNESS



= PAN HEAD



= STANDARD HINGE



= HOLE DIAMETER



= FLANGE HEAD



= KIMANA HINGE



= DIAMETER



= FLAT HEAD



= FLAP HINGE



= LENGTH



= TRILOBULAR SCREW



= WITH SPRING



= HEIGHT



= SELF-TAPPING SCREW



= WITHOUT SPRING



= RIGHT VERSION



= EURO THREAD



= REVERSED SPRING



= LEFT VERSION



= METRIC THREAD



= SETTING CODE



= PRE-INSERTED SCREW



= FOR ROUND TUBE



= PCS. PER PAD



= PRE-INSERTED SCREW AND SPREADING BUSH



= FOR OVAL TUBE



= CUT ON REQUEST



= WITH BUFFER



= SELF ADHESIVE



= WITH MAGNET



= WITH FLANGE

NOTE: Printing errors and omissions may exist despite our best efforts to ensure accuracy. We reserve the right to alter specifications without notice.

## MATERIALS

<b>ZA</b> = Zinc Alloy	<b>ST</b> = Steel	<b>HSS</b> = High Speed Steel	<b>BR</b> = Brass	<b>ABS</b> = Acrylonitrile Butadiene Styrene
<b>ZAnk</b> = Nickel-plated Zinc Alloy	<b>STzk</b> = Zinc-plated Steel	<b>AL</b> = Aluminium	<b>WD</b> = Wood	<b>EVA</b> = Ethylene Vinyl Acetate

**EP** = **ENGINEERING PLASTIC**

+ **EP** = other engineering plastic available on request

**SR** = **SOFT RUBBER**

+ **SR** = other soft rubber available on request

<b>EPn</b> = Natural Engineering Plastic	<b>EPc</b> = Clear Engineering Plastic	<b>SRn</b> = Natural Soft Rubber
<b>EPw</b> = White Engineering Plastic	<b>EPg</b> = Grey Engineering Plastic	<b>SRw</b> = White Soft Rubber
<b>EPwg</b> = Water Green Engineering Plastic		<b>SRb</b> = Black Soft Rubber



## FINISHES



= OTHER FINISHES AVAILABLE ON REQUEST

AA	Natural	JB	Bright Aluminium	QB	Walnut
AB	White	JC	Aluminium - Chrome	RO	Red
AC	Opal White	JD	Matt Aluminium	UZ	T -Met
AE	White 9010	JE	Satin-finished Aluminium	WA	Bronzed
AK	Champagne	JF	Aluminium - Brass	WI	Burnished
AL	Ivory	JG	Aluminium 5	XD	Satin-finished Steel
EA	Black	JL	Aluminium PE 11	YA	Nickel-plated
EB	Glossy Black	JM	Aluminium RAL 9006	YB	Bright Nickel-plated
EC	Matt Black	KA	Chrome	YC	Matt Nickel-plated
EE	Anthracite	KB	Bright Chrome	YD	Satin-finished Nickel-plated
FU	Gunmetal	KC	Matt Chrome	ZA	Zinc alloy
GR	Raw	MA	Brown	ZN	Zinc-plated
HA	Brass-Plated	MB	Light Brown 1	ZQ	Bright Gold
HH	Tropicalized	NN	Metallic Beige	ZY	Titanium
HL	Raw Brass	NO	Beige	ZZ	Clear
IA	Grey	OA	Oak	00	Insignificant finish
IB	Metallic Grey	OZ	Ash		
IF	Middle Grey	PA	Light Ash		
IJ	Light Grey	PZ	Beech		
IL	Grey 20	QA	Maple		

# CONTENTS

## SHELF SUPPORTS

SECURY PALETTA .....	1.1	FLIPPER-BI .....	1.12	PK2 .....	1.42
MINISECURITY .....	1.1	UNICO .....	1.16	PK2 SIDE BRACKET ROUND LEDGE .....	1.53
PULL-IN CORNER BRACKET .....	1.3	SPRING .....	1.19	BLITZ .....	1.57
K LINE .....	1.4	KERALA .....	1.21	BLITZ SIDE BRACKET ROUND LEDGE .....	1.64
DUAL .....	1.6	MAORI .....	1.23	POKER .....	1.67
SHELF RETAINER .....	1.7	TRIS .....	1.30	SECRET MAXI .....	1.77
FLIPPER .....	1.8	TRIS SIDE BRACKET ROUND LEDGE .....	1.37		

## GLASS SHELF SUPPORTS

DREAM .....	2.1	ATAK .....	2.5	PEKI .....	2.15
K LINE .....	2.2	GEKO .....	2.6	KUBIC .....	2.17
VERY .....	2.4	KRISTAL .....	2.7	PULL .....	2.20
OR .....	2.4	COBRA .....	2.11		

## WOOD AND GLASS SHELVING SYSTEMS

KAIMAN .....	3.1	TRIADE MINI .....	3.12	TRIADE XXL .....	3.24
KAIMAN MAXI .....	3.3	TRIADE MINI AND BRACKET .....	3.14	TRIADE XXL AND BRACKET .....	3.26
KALABRONE .....	3.5	TRIADE .....	3.16	APPLICATION FOR ALL TRIADE VERSIONS .....	3.28
KALABRONE MAXI .....	3.7	TRIADE AND BRACKET .....	3.18	TRIADE AND TRIADE MINI ALU. PROFILE .....	3.29
KALABRONE MINI .....	3.9	TRIADE MAXI .....	3.20	TRIADE MAXI AND TRIADE XXL ALU. PROFILE .....	3.21
COBRONE .....	3.10	TRIADE MAXI AND BRACKET .....	3.22		

## CONNECTINGS

INSERT NUTS .....	4.1	PULL-IN CORNER BRACKET .....	4.7	ELEFANT .....	4.27
SPREADING DOWELS .....	4.2	IN FRAME DOOR (DOOR STOP AND CORNER BRACKET) .....	4.8	TARGET J10 .....	4.31
DOWELS .....	4.3	SCREW FIXING JOINT FOR BOTTOM PANEL .....	4.9	TARGET J12 .....	4.35
SLEEVES .....	4.4	PAD .....	4.10	SPIRAL LOCK .....	4.42
FLAT HEAD SLEEVE NUT AND CONNECTING SCREW .....	4.5	CROSS DOWELS .....	4.11	VIS .....	4.45
SLEEVE NUTS AND CONNECTING SCREWS .....	4.6	CAMS AND DOWELS .....	4.20	PLINTH CLIPS .....	4.49

## WORKTOP CONNECTORS

QUICK .....	5.1
-------------	-----

## SCREWS

COUNTERSUNK HEAD WOOD SCREWS .....	6.1	FLANGE HEAD METRIC SCREWS .....	6.3	ALLEN WRENCHES .....	6.6
PAN HEAD WOOD SCREWS .....	6.1	COUNTERSUNK HEAD METRIC SCREWS .....	6.3		
EURO SCREWS .....	6.2	ONE PIECE CONNECTOR SCREWS .....	6.4		

## DOOR BUFFERS AND COVER CAPS

BI-MATERIAL .....	7.1	DOOR BUFFERS .....	7.2	NIKO .....	7.9
SOFT .....	7.1	COVER CAPS .....	7.6	ADHESIVE HOLE COVERS .....	7.10
K-FLEX .....	7.2	ECCENTRIC HOUSING COVER CAPS .....	7.8		

## OPENING SYSTEMS FOR LIFT UP AND DROP DOWN DOORS

KRABY LIFT UP WITH STANDARD HINGES .....	8.1	COMPACT DROP DOWN W/STANDARD HINGES .....	8.50	K12 SYSTEM BRACKETS .....	8.89
KRABY LIFT UP W/STANDARD HINGES AND K PUSH TECH .....	8.9	COMPACT DROP DOWN W/KIMANA HINGES AND MAGNET K LOCK .....	8.54	K12 SYSTEM DROP DOWN W/KIMANA HINGES AND MAGNET K LOCK .....	8.91
KRABY DROP DOWN WITH STANDARD HINGES .....	8.12	COMPACT DROP DOWN W/FLAP HINGES AND MAGNET K LOCK .....	8.58	K12 SYSTEM DROP DOWN W/FLAP HINGES AND MAGNET K LOCK .....	8.95
KRABY DROP DOWN W/KIMANA HINGES AND MAGNET K LOCK .....	8.16	COMPACT DROP DOWN W/STANDARD HINGES AND K PUSH TECH .....	8.61	K12 SYSTEM DROP DOWN W/STANDARD HINGES AND K PUSH TECH .....	8.98
KRABY DROP DOWN W/FLAP HINGES AND MAGNET K LOCK .....	8.20	COMPACT DROP DOWN W/KIMANA HINGES AND K PUSH TECH .....	8.64	K12 SYSTEM DROP DOWN W/KIMANA HINGES AND K PUSH TECH .....	8.101
KRABY DROP DOWN W/STANDARD HINGES AND K PUSH TECH .....	8.23	COMPACT DROP DOWN W/FLAP HINGES AND K PUSH TECH .....	8.68	K12 SYSTEM DROP DOWN W/FLAP HINGES AND K PUSH TECH .....	8.105
KRABY DROP DOWN W/KIMANA HINGES AND K PUSH TECH .....	8.26	COMPACT BRACKETS .....	8.71	K12 SYSTEM ADAPTERS FOR ALUMINIUM FRAME DOOR .....	8.108
KRABY DROP DOWN W/FLAP HINGES AND K PUSH TECH .....	8.30	COMPACT ADAPTERS FOR ALUMINIUM FRAME DOOR .....	8.72	LINK .....	8.112
KRABY BRACKETS .....	8.33	K12 SYSTEM LIFT UP WITH STANDARD HINGES .....	8.76		
KRABY ADAPTERS FOR ALUMINIUM FRAME DOOR .....	8.35	K12 SYSTEM BRACKETS .....	8.80		
COMPACT LIFT UP WITH STANDARD HINGES .....	8.39	K12 SYSTEM LIFT UP W/STANDARD HINGES AND K PUSH TECH .....	8.82		
COMPACT LIFT UP W/STANDARD HINGES AND K PUSH TECH .....	8.47	K12 SYSTEM DROP DOWN WITH STANDARD HINGES .....	8.85		

## PUSH CATCHES AND MAGNETIC CATCHES

K PUSH TECH .....	9.1	K LOCK .....	9.13	K PUSH TECH AND K LOCK DOOR PLATES .....	9.16
-------------------	-----	--------------	------	--	------

## LEVELLERS

INTEGRATO WITH ZINC ALLOY FOOT .....	10.1	DEDALO .....	10.20	ATACAMA J .....	10.38
INTEGRATO WITH ENGINEERING PLASTIC FOOT .....	10.7	LEVELLER Ø14 .....	10.23	ATACAMA J WITH HEIGHT ADAPTER .....	10.43
INTEGRATO SPACERS .....	10.16	REKORD 12 .....	10.28		
INTEGRATO Z .....	10.18	ATACAMA .....	10.34		

## HINGES

KIMANA .....	11.1	KIMANA ADAPTERS .....	11.5	KIMANA SPACERS .....	11.7
--------------	------	-----------------------	------	----------------------	------

## HANGERS

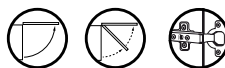
LIBRA H1 .....	12.3	LIBRA H7 SCREW FIXING .....	12.27	LIBRA WALL PLATES .....	12.48
LIBRA H2 .....	12.5	LIBRA H7 DOWEL FIXING W/ALUMINIUM BAR LIVING SETTINGS .....	12.30	LIBRA COVER CAPS .....	12.50
LIBRA H3 .....	12.8	LIBRA H7 DOWEL FIXING W/ALUMINIUM BAR .....	12.31	LIBRA BS .....	12.54
LIBRA H4 .....	12.11	SPACERS FOR LIBRA H7 ALU BAR H. 80,5 .....	12.40	LIBRA BS LEVELLER .....	12.65
LIBRA H6 .....	12.17	LIBRA H7 SCREW FIXING W/"PEG JOINT" FOR ALUMINIUM BAR .....	12.41	LIKU .....	12.69
LIBRA CH .....	12.21	LIBRA H7 DOWEL FIXING WITHOUT "PEG JOINT" .....	12.43		

## WARDROBE TUBES SUPPORTS

WARDROBE TUBES SUPPORTS .....	13.1	ELITE .....	13.2	LEADER .....	13.3
-------------------------------	------	-------------	------	--------------	------



## KRABY LIFT UP WITH STANDARD SPRUNG HINGES



PATENTED  
UNI 8607/05 Level 5



### INSTALLATION

- For details refer to "KRABY BRACKETS".

recommended fixing countersunk head wood screws  $\varnothing 4 \times 16$  mm

#### VERY IMPORTANT

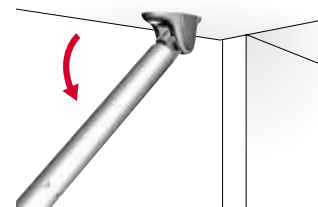
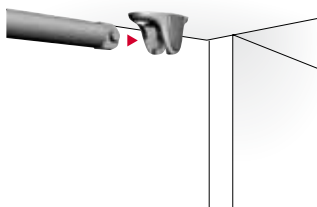
The door bracket has to be placed in vertical position with the slot facing forwards.



recommended fixing countersunk head wood screws  $\varnothing 4 \times 16$  mm

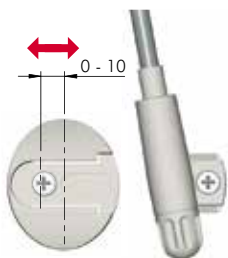
#### VERY IMPORTANT

The side bracket has to be placed with the slot in horizontal position and the open end facing the wall.

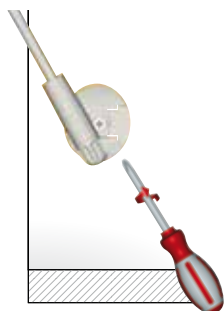


### ADJUSTMENTS

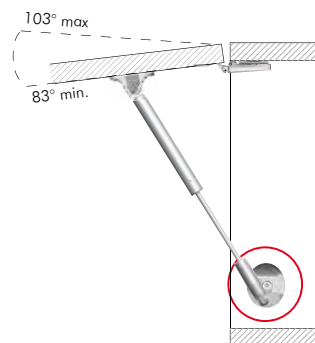
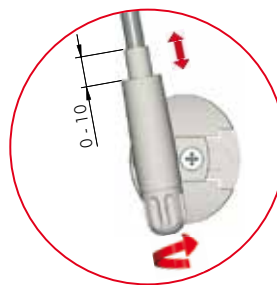
FRONT TO BACK ADJUSTMENT 0 - 10 mm



LOCKING



OPEN ANGLE ADJUSTMENT 0 - 10 mm

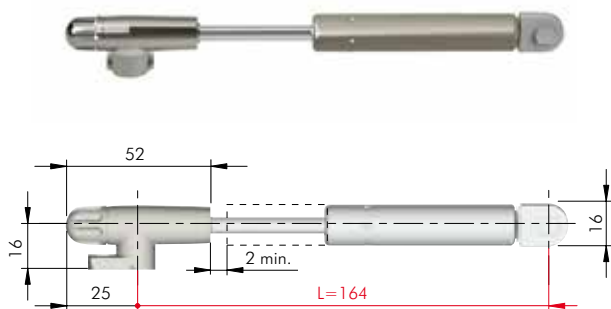


### FRONT TO BACK ADJUSTMENT

The opening and closing of the door can be changed by adjusting the position of the piston base plate within the slot:

- **Forwards adjustment** = the door opens automatically later (automatic stay only) and closes automatically in advance (both stays automatic and friction).
- **Backwards adjustment** = the door opens automatically in advance (automatic stay only) and closes automatically later (both stays automatic and friction).

## KRABBY 164 mm - LIFT UP - Friction version



ZAnk EP ST

 = 100 pcs.

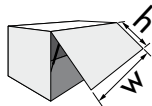


42001010UZ



**N**

45



42002010UZ

60

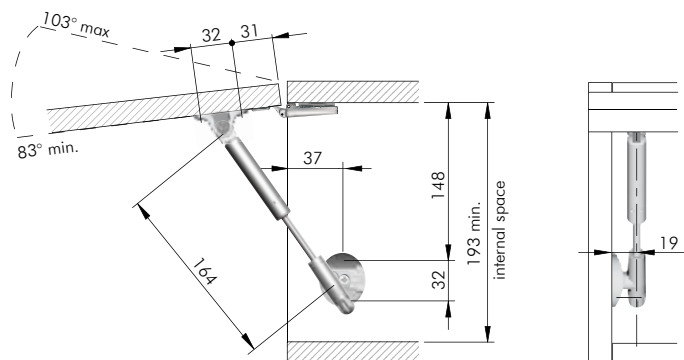
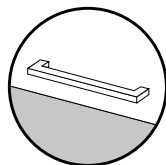
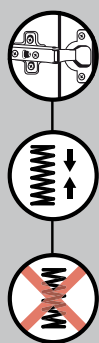
h	w	450		600		900		1200	
		Kg	Kraby	Kg	Kraby	Kg	Kraby	Kg	Kraby
230-250		1,2 - 1,3	1 x 45 N	1,6 - 1,8	1 x 45 N	2,4 - 2,6	2 x 45 N	3,2 - 3,5	2 x 45 N
251-300		1,3 - 1,6	1 x 45 N	1,8 - 2,1	2 x 45 N	2,6 - 3,2	2 x 45 N	3,5 - 4,2	2 x 45 N

Rev. 01

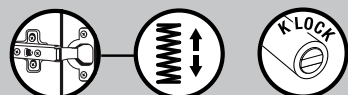
Further newton strengths available on request.

The above chart refers to chipboard or MDF 18 mm doors and aluminium frame doors with glass 4 mm thick. These are experimental results to be checked by the customer. Our Technical Department is at your disposal to test further cases out of this chart.

8



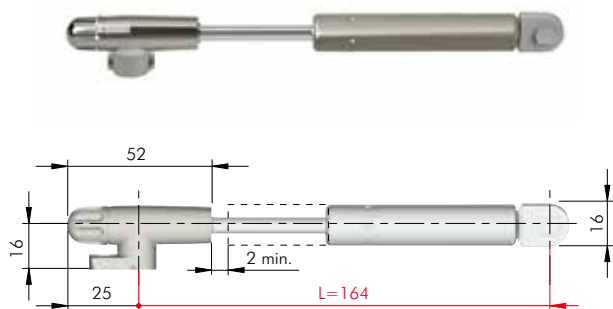
The dimensions of the above drilling plan refer to carcasses which use **standard sprung or unsprung hinges** and mounting plates 0 mm. Please note that min and max opening angle shown data is purely indicative. It varies with respect to the hinge brand and adjustment carried out.



Please note that in case of use of **negative hinges**, **magnet K Lock** is required. For details refer to section "PUSH CATCHES & MAGNETIC CATCHES".





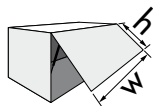
## KRABY 164 mm - LIFT UP - Automatic version



ZAnk EP ST

 = 100 pcs.

	
42101010UZ	50
42102010UZ	80
42103010UZ	120



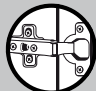
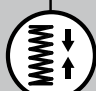

Rev. 01

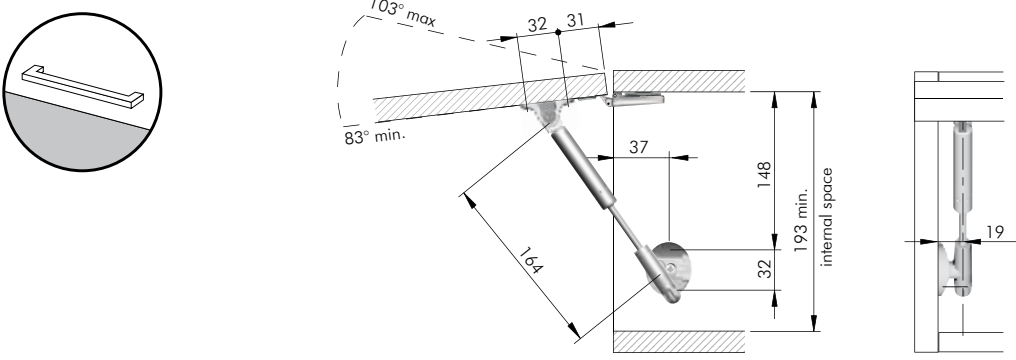
h	w	450		600		900		1200	
		Kg	Kraby	Kg	Kraby	Kg	Kraby	Kg	Kraby
230-250		1,2 - 1,3	1 x 80 N	1,6 - 1,8	1 x 120 N	2,4 - 2,6	2 x 50 N	3,2 - 3,5	2 x 80 N
251-300		1,3 - 1,6	1 x 80 N	1,8 - 2,1	2 x 80 N	2,6 - 3,2	2 x 80 N	3,5 - 4,2	2 x 80 N

Further newton strengths available on request.

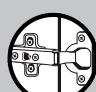
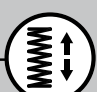

The above chart refers to chipboard or MDF 18 mm doors and aluminium frame doors with glass 4 mm thick. These are experimental results to be checked by the customer. Our Technical Department is at your disposal to test further cases out of this chart.

8

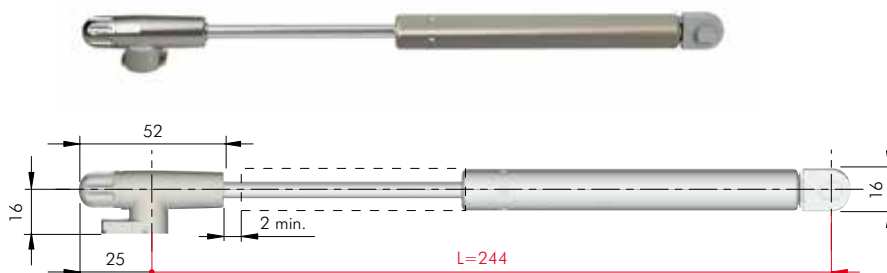


The dimensions of the above drilling plan refer to carcasses which use **standard sprung or unsprung hinges** and mounting plates 0 mm. Please note that min and max opening angle shown data is purely indicative. It varies with respect to the hinge brand and adjustment carried out.

Please note that in case of use of **negative hinges**, magnet **K Lock** is required. For details refer to section "PUSH CATCHES & MAGNETIC CATCHES".

## KRABY 244 mm - LIFT UP - Friction version



ZAnk EP ST

= 100 pcs.

Rev. 01

h	w 450		600		900		1200		1500	
	Kg	Kraby	Kg	Kraby	Kg	Kraby	Kg	Kraby	Kg	Kraby
300-350	1,6 - 1,8	1 x 45 N	2,1 - 2,5	1 x 45 N	3,2 - 3,7	1 x 60 N	4,2 - 4,9	2 x 45 N	5,3 - 6,1	2 x 45 N
351-400	1,8 - 2,1	1 x 45 N	2,5 - 2,8	1 x 45 N	3,7 - 4,2	2 x 45 N	4,9 - 5,6	2 x 60 N	6,1 - 7,0	2 x 60 N
401-450	2,1 - 2,4	1 x 60 N	2,8 - 3,2	2 x 45 N	4,2 - 4,7	2 x 45 N	5,6 - 6,3	2 x 60 N	7,0 - 7,9	2 x 90 N
451-500	2,4 - 2,6	1 x 60 N	3,2 - 3,5	2 x 45 N	4,7 - 5,3	2 x 60 N	6,3 - 7,0	2 x 90 N		
501-550	2,6 - 2,9	2 x 45 N	3,5 - 3,9	2 x 60 N	5,3 - 5,8	2 x 90 N	7,0 - 7,7	2 x 120 N		

Further newton strengths available on request.

The above chart refers to chipboard or MDF 18 mm doors and aluminium frame doors with glass 4 mm thick. These are experimental results to be checked by the customer. Our Technical Department is at your disposal to test further cases out of this chart.

8

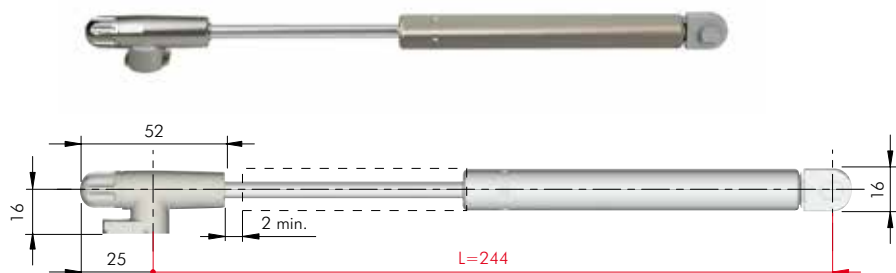
The dimensions of the above drilling plan refer to carcasses which use **standard sprung or unsprung hinges** and mounting plates 0 mm. Please note that min and max opening angle shown data is purely indicative. It varies with respect to the hinge brand and adjustment carried out.

Please note that in case of use of **negative hinges**, **magnet K Lock** is required. For details refer to section "PUSH CATCHES & MAGNETIC CATCHES".








## KRABY 244 mm - LIFT UP - Automatic version

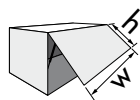


ZAnk EP ST

 = 100 pcs.

Rev. 01

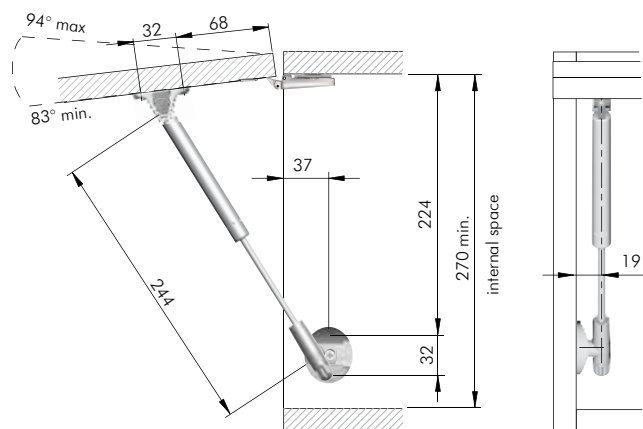
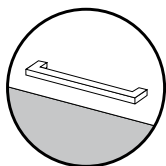
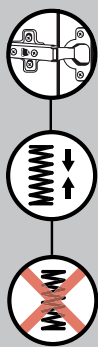
		
42110010UZ		50
42111010UZ		80
42112010UZ		100
42113010UZ		120
42114010UZ		140



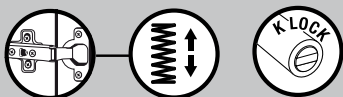
h	w	450		600		900		1200		1500	
		Kg	Kraby	Kg	Kraby	Kg	Kraby	Kg	Kraby	Kg	Kraby
300-350		1,6 - 1,8	1 x 80 N	2,1 - 2,5	1 x 80 N	3,2 - 3,7	2 x 50 N	4,2 - 4,9	2 x 80 N	5,3 - 6,1	2 x 100 N
351-400		1,8 - 2,1	1 x 80 N	2,5 - 2,8	2 x 50 N	3,7 - 4,2	2 x 80 N	4,9 - 5,6	2 x 100 N	6,1 - 7,0	2 x 120 N
401-450		2,1 - 2,4	2 x 50 N	2,8 - 3,2	2 x 80 N	4,2 - 4,7	2 x 100 N	5,0 - 6,3	2 x 120 N	7,0 - 7,9	2 x 140 N
451-500		2,4 - 2,6	2 x 80 N	3,2 - 3,5	2 x 80 N	4,7 - 5,3	2 x 100 N				

Further newton strengths available on request.

The above chart refers to chipboard or MDF 18 mm doors and aluminium frame doors with glass 4 mm thick. These are experimental results to be checked by the customer. Our Technical Department is at your disposal to test further cases out of this chart.

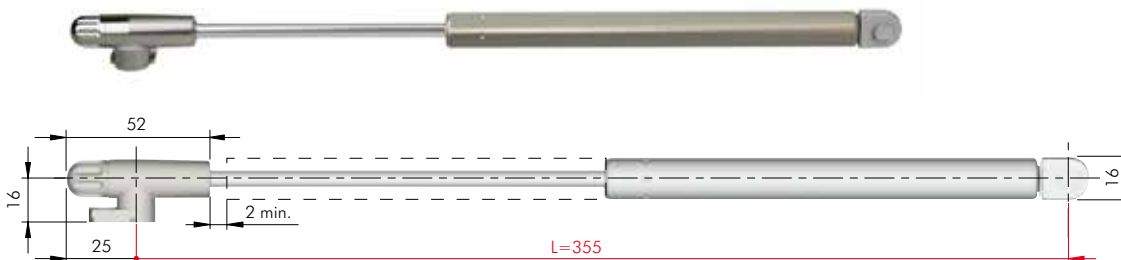


The dimensions of the above drilling plan refer to carcasses which use **standard sprung or unsprung hinges** and mounting plates 0 mm. Please note that min and max opening angle shown data is purely indicative. It varies with respect to the hinge brand and adjustment carried out.



Please note that in case of use of **negative hinges**, **magnet K Lock** is required. For details refer to section "PUSH CATCHES & MAGNETIC CATCHES".

## KRABY 355 mm - LIFT UP - Friction version

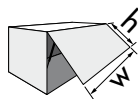


ZAnk EP ST

= 100 pcs.

Rev. 01

42030010UZ	45
42031010UZ	60
42032010UZ	90
42033010UZ	120

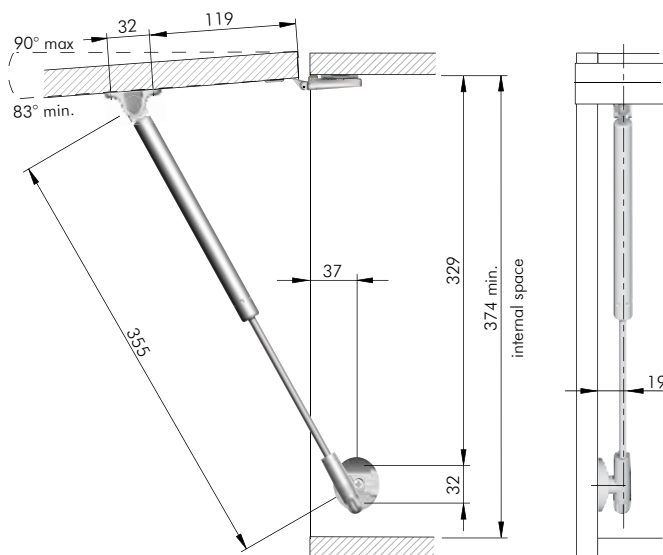
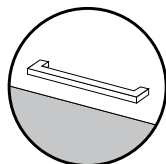
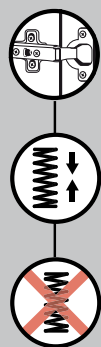


h	W	450		600		900		1200		1500		1800	
		Kg	Kraby	Kg	Kraby	Kg	Kraby	Kg	Kraby	Kg	Kraby	Kg	Kraby
400-450	2,1 - 2,4	1 x 45 N	2,8 - 3,2	1 x 45 N	4,2 - 4,7	2 x 45 N	5,6 - 6,3	2 x 45 N	7,0 - 7,9	2 x 45 N	8,4 - 9,5	2 x 60 N	
451-500	2,4 - 2,6	1 x 45 N	3,2 - 3,5	1 x 45 N	4,7 - 5,3	2 x 45 N	6,3 - 7,0	2 x 45 N	7,9 - 8,8	2 x 60 N	9,5 - 10,5	2 x 60 N	
501-550	2,6 - 2,9	1 x 45 N	3,5 - 3,9	1 x 60 N	5,3 - 5,8	2 x 45 N	7,0 - 7,7	2 x 45 N	8,8 - 9,7	2 x 60 N	10,5 - 11,6	2 x 60 N	
551-600	2,9 - 3,2	1 x 60 N	3,9 - 4,2	2 x 45 N	5,8 - 6,3	2 x 60 N	7,7 - 8,4	2 x 60 N	9,7 - 10,5	2 x 90 N			
601-650	3,2 - 3,4	1 x 60 N	4,2 - 4,6	2 x 45 N	6,3 - 6,8	2 x 60 N	8,4 - 9,1	2 x 90 N					
651-700	3,4 - 3,7	1 x 90 N	4,6 - 4,9	2 x 60 N	6,8 - 7,4	2 x 90 N	9,1 - 9,8	2 x 90 N					

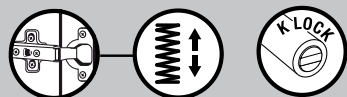
Further newton strengths available on request.

The above chart refers to chipboard or MDF 18 mm doors and aluminium frame doors with glass 4 mm thick. These are experimental results to be checked by the customer. Our Technical Department is at your disposal to test further cases out of this chart.

8



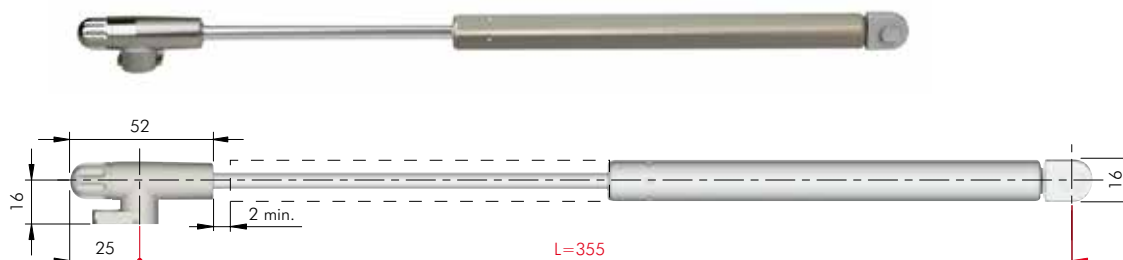
The dimensions of the above drilling plan refer to carcasses which use **standard sprung or unsprung hinges** and mounting plates 0 mm. Please note that min and max opening angle shown data is purely indicative. It varies with respect to the hinge brand and adjustment carried out.



Please note that in case of use of **negative hinges**, **magnet K Lock** is required. For details refer to section "PUSH CATCHES & MAGNETIC CATCHES".



## KRABY 355 mm - LIFT UP - Automatic version

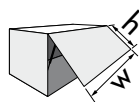


ZAnk EP ST

 = 100 pcs.



42130010UZ	50
42131010UZ	80
42132010UZ	100
42133010UZ	120



Rev. 01

h	W	450		600		900		1200		1500		1800	
		Kg	Kraby	Kg	Kraby	Kg	Kraby	Kg	Kraby	Kg	Kraby	Kg	Kraby
400-450		2,1-2,4	1 x 80 N	2,8-3,2	2 x 50 N	4,2-4,7	2 x 50 N	5,6-6,3	2 x 80 N	7,0-7,9	2 x 80 N	8,4-9,5	2 x 100 N
451-500		2,4-2,6	1 x 80 N	3,2-3,5	2 x 50 N	4,7-5,3	2 x 80 N	6,3-7,0	2 x 80 N	7,9-8,8	2 x 100 N	9,5-10,5	2 x 120 N
501-550		2,6-2,9	1 x 80 N	3,5-3,9	2 x 50 N	5,3-5,8	2 x 80 N	7,0-7,7	2 x 100 N	8,8-9,7	2 x 120 N		
551-600		2,9-3,2	2 x 50 N	3,9-4,2	2 x 80 N	5,8-6,3	2 x 80 N	7,7-8,4	2 x 120 N				
601-650		3,2-3,4	2 x 80 N	4,2-4,6	2 x 100 N	6,3-6,8	2 x 120 N						
651-700		3,4-3,7	2 x 80 N	4,6-4,9	2 x 100 N	6,8-7,4	2 x 120 N						

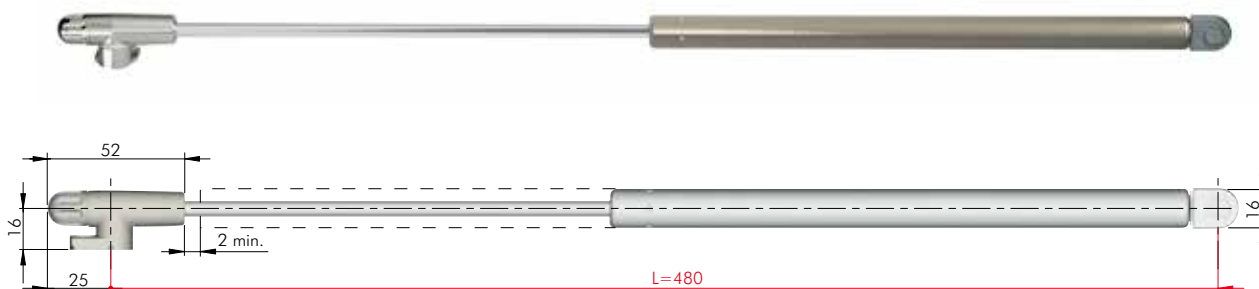
Further newton strengths available on request.

The above chart refers to chipboard or MDF 18 mm doors and aluminium frame doors with glass 4 mm thick. These are experimental results to be checked by the customer. Our Technical Department is at your disposal to test further cases out of this chart.

The dimensions of the above drilling plan refer to carcasses which use **standard sprung or unsprung hinges** and mounting plates 0 mm. Please note that min and max opening angle shown data is purely indicative. It varies with respect to the hinge brand and adjustment carried out.

Please note that in case of use of **negative hinges**, **magnet K Lock** is required. For details refer to section "PUSH CATCHES & MAGNETIC CATCHES".

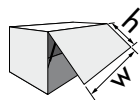
## KRABY 480 mm - LIFT UP - Friction version



ZAnk EP ST

= 100 pcs.

42050010UZ	45
42051010UZ	60
42052010UZ	90
42053010UZ	120

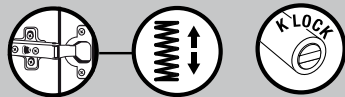
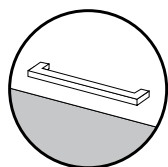
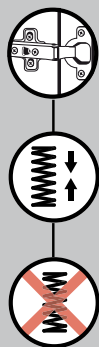


h	W	450		600		900		1200		1500		1800	
		Kg	Kraby	Kg	Kraby	Kg	Kraby	Kg	Kraby	Kg	Kraby	Kg	Kraby
520-550	2,6 - 2,9	1 x 45 N	3,5 - 3,9	1 x 60 N	5,3 - 5,8	1 x 60 N	7,0 - 7,7	2 x 45 N	8,8 - 9,7	2 x 60 N	10,5 - 11,6	2 x 60 N	
551-600	2,9 - 3,2	1 x 45 N	3,9 - 4,2	1 x 60 N	5,8 - 6,3	1 x 60 N	7,7 - 8,4	2 x 60 N	9,7 - 10,5	2 x 60 N	11,6 - 12,6	2 x 90 N	
601-650	3,2 - 3,4	1 x 45 N	4,2 - 4,6	1 x 90 N	6,3 - 6,8	1 x 90 N	8,4 - 9,1	2 x 60 N	10,5 - 11,4	2 x 90 N	12,6 - 13,7	2 x 90 N	
651-700	3,4 - 3,7	1 x 60 N	4,6 - 4,9	1 x 90 N	6,8 - 7,4	2 x 45 N	9,1 - 9,8	2 x 90 N	11,4 - 12,3	2 x 120 N	13,7 - 14,7	2 x 120 N	

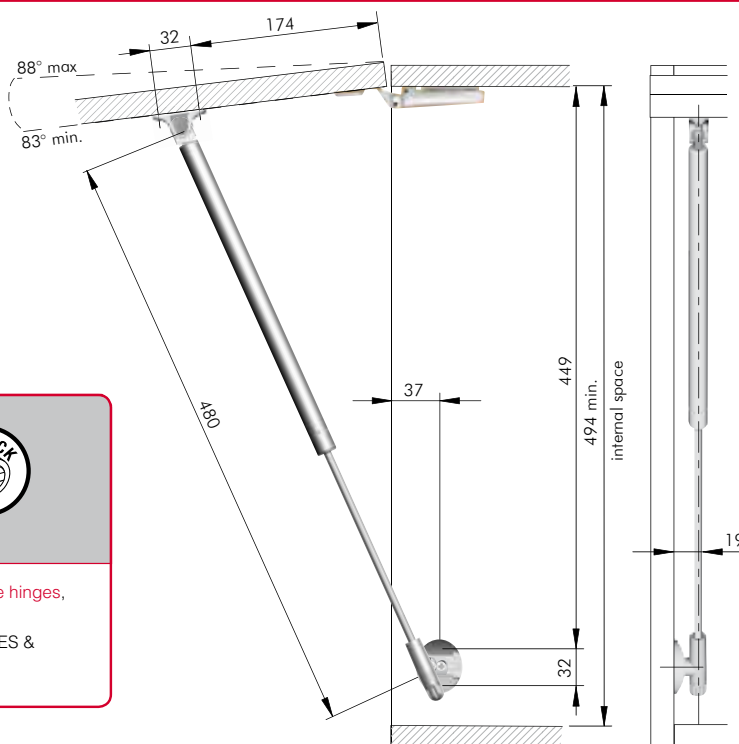
Further newton strengths available on request.

The above chart refers to chipboard or MDF 18 mm doors and aluminium frame doors with glass 4 mm thick. These are experimental results to be checked by the customer. Our Technical Department is at your disposal to test further cases out of this chart.

8



Please note that in case of use of **negative hinges**, **magnet K Lock** is required. For details refer to section "PUSH CATCHES & MAGNETIC CATCHES".



The dimensions of the above drilling plan refer to carcasses which use **standard sprung or unsprung hinges** and mounting plates 0 mm. Please note that min and max opening angle shown data is purely indicative. It varies with respect to the hinge brand and adjustment carried out.



## KRABY LIFT UP WITH STANDARD UNSPRUNG OR NEGATIVE HINGES AUTOMATIC OPENING DOOR WITH K PUSH TECH THE SHORT WITH MAGNET



### INSTALLATION

- For details refer to "KRABY BRACKETS".

recommended fixing countersunk head wood screws  $\varnothing 4 \times 16$  mm

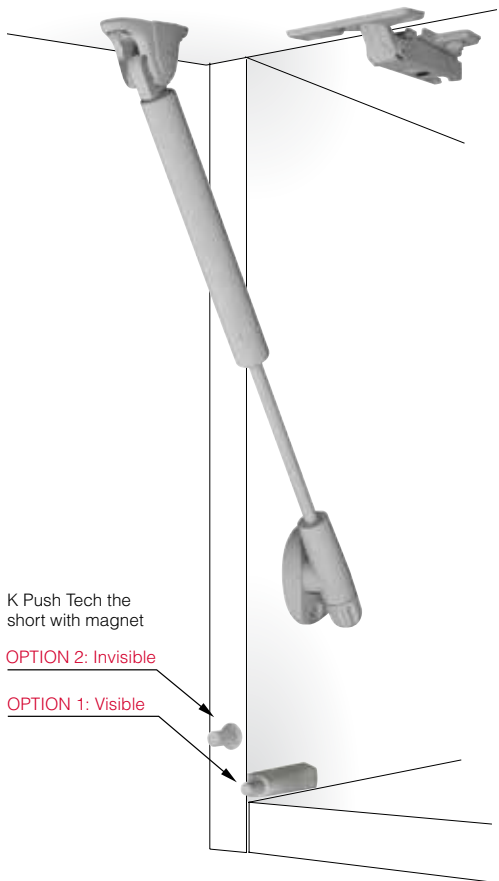
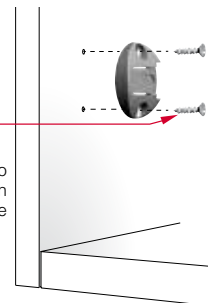
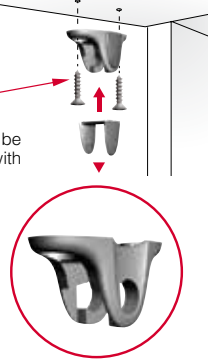
#### VERY IMPORTANT

The door bracket has to be placed in vertical position with the slot facing forwards.

recommended fixing countersunk head wood screws  $\varnothing 4 \times 16$  mm

#### VERY IMPORTANT

The side bracket has to be placed with the slot in horizontal position and the open end facing the wall.



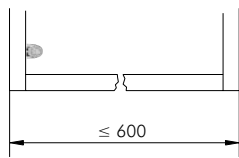
K Push Tech the short with magnet

OPTION 2: Invisible

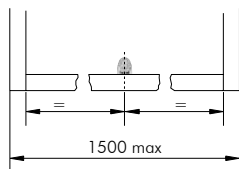
OPTION 1: Visible

### INSTALLATION OF K PUSH TECH THE SHORT WITH MAGNET THROUGH ADAPTER HOUSING

OPTION 1: VISIBLE

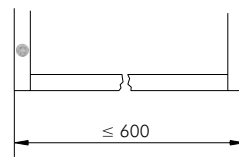


1 piece for door width  $\leq 600$  mm to be placed on same side as the Kraby.

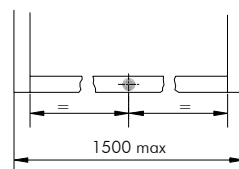


### INSTALLATION OF K PUSH TECH THE SHORT WITH MAGNET TO BE EMBEDDED INSIDE THE PANEL

OPTION 2: INVISIBLE



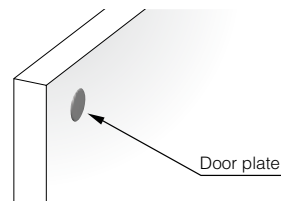
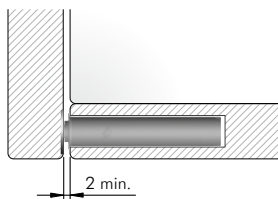
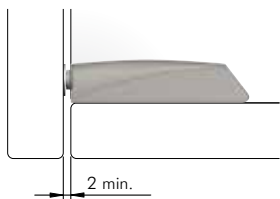
1 piece for door width  $\leq 600$  mm to be placed on same side as the Kraby.



- Our technical department is at your disposal to test wider doors.

### K PUSH TECH THE SHORT WITH MAGNET VISIBLE OR INVISIBLE VERSION AND K PUSH TECH PLATE FOR THE DOOR

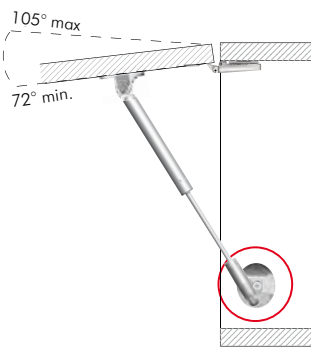
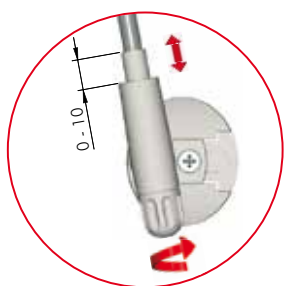
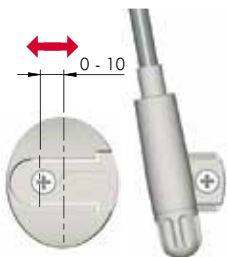
- For details refer to section "PUSH CATCHES & MAGNETIC CATCHES".



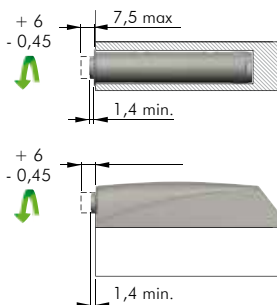
### KRABY ADJUSTMENTS

FRONT TO BACK ADJUSTMENT 0 - 10 mm

OPEN ANGLE ADJUSTMENT 0 - 10 mm

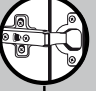
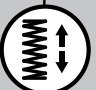

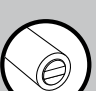


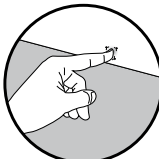
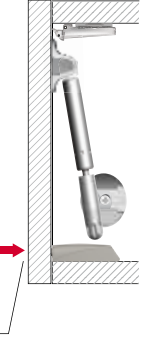
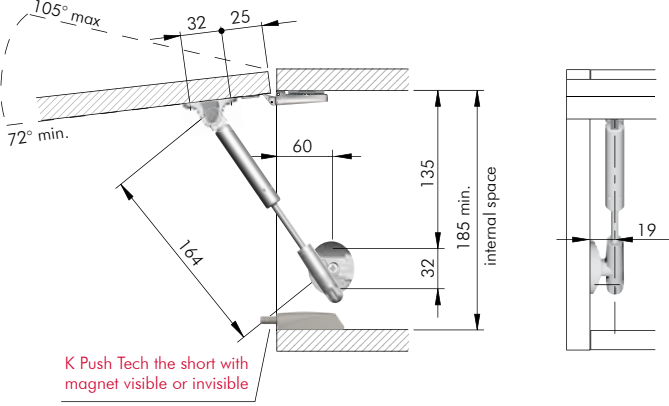
### K PUSH TECH ADJUSTMENTS





## KRABY 164 mm - LIFT UP - Automatic version

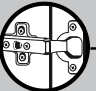
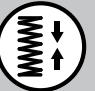
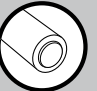




K Push Tech the short with magnet visible or invisible

Push to open

The dimensions of the drilling plan refer to carcasses which use **standard unsprung or negative hinges** and mounting plates 0 mm. Please note that min and max opening angle shown data is purely indicative. It varies with respect to the hinge brand and adjustment carried out.

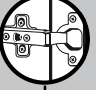
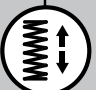

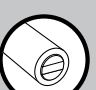
For pistons quantity and strength to be chosen according to door size, refer to the chart for "KRABY 164 mm - LIFT UP - Automatic version".

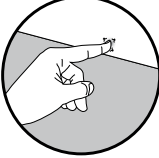
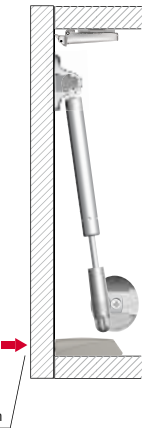
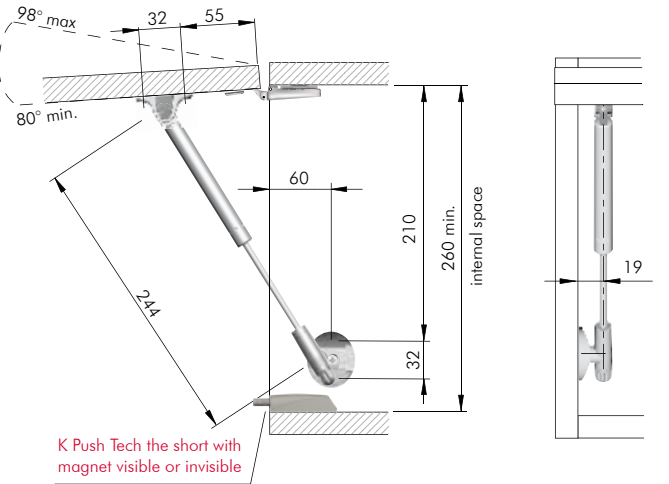




Please note that utilization with **standard sprung hinges** and **K Push Tech with buffer** is also possible. In such case, after the door is initially released by K Push Tech, a manual opening approx. 7cm is required (in order to win the spring resistance). Consequently, the door will automatically open to the fullest. For details refer to section "PUSH CATCHES & MAGNETIC CATCHES".



## KRABY 244 mm - LIFT UP - Automatic version

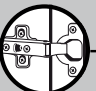

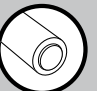




K Push Tech the short with magnet visible or invisible

Push to open

The dimensions of the drilling plan refer to carcasses which use **standard unsprung or negative hinges** and mounting plates 0 mm. Please note that min and max opening angle shown data is purely indicative. It varies with respect to the hinge brand and adjustment carried out.

For pistons quantity and strength to be chosen according to door size, refer to the chart for "KRABY 244 mm - LIFT UP - Automatic version".

Please note that utilization with **standard sprung hinges** and **K Push Tech with buffer** is also possible. In such case, after the door is initially released by K Push Tech, a manual opening approx. 7cm is required (in order to win the spring resistance). Consequently, the door will automatically open to the fullest. For details refer to section "PUSH CATCHES & MAGNETIC CATCHES".



## KRABY 355 mm - LIFT UP - Automatic version

K Push Tech the short with magnet visible or invisible

Push to open

The dimensions of the drilling plan refer to carcasses which use **standard unsprung or negative hinges** and mounting plates 0 mm. Please note that min and max opening angle shown data is purely indicative. It varies with respect to the hinge brand and adjustment carried out.

For pistons quantity and strength to be chosen according to door size, refer to the chart for "KRABY 355 mm - LIFT UP - Automatic version".

Please note that utilization with **standard sprung hinges** and **K Push Tech with buffer** is also possible. In such case, after the door is initially released by K Push Tech, a manual opening approx. 7cm is required (in order to win the spring resistance). Consequently, the door will automatically open to the fullest. For details refer to section "PUSH CATCHES & MAGNETIC CATCHES".

## KRABY DROP DOWN WITH STANDARD SPRUNG HINGES



PATENTED  
UNI 8607/05 Level 5



### INSTALLATION

- For details refer to "KRABY BRACKETS".

recommended fixing countersunk head wood screws  $\varnothing 4 \times 16$  mm

#### VERY IMPORTANT

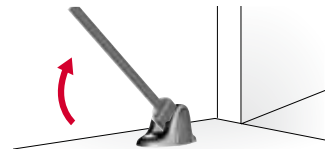
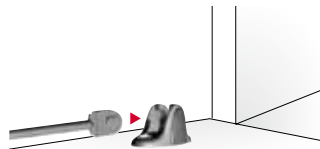
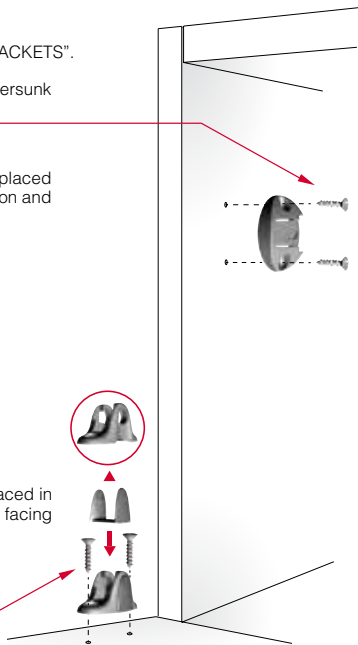
The side bracket has to be placed with the slot in horizontal position and the open end facing the wall.



#### VERY IMPORTANT

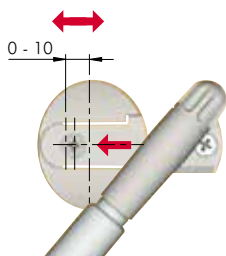
The door bracket has to be placed in vertical position with the slot facing forwards.

recommended fixing countersunk head wood screws  $\varnothing 4 \times 16$  mm

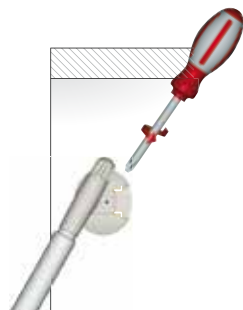


### ADJUSTMENTS

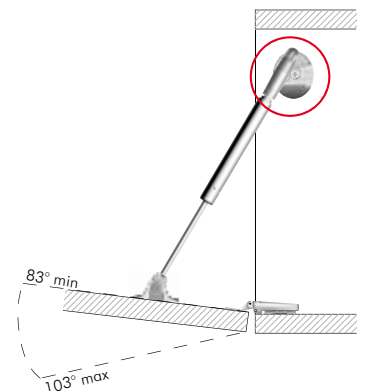
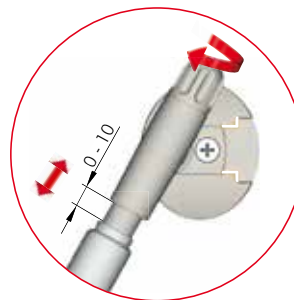
FRONT TO BACK ADJUSTMENT 0 - 10 mm



LOCKING



OPEN ANGLE ADJUSTMENT 0 - 10 mm



#### FRONT TO BACK ADJUSTMENT

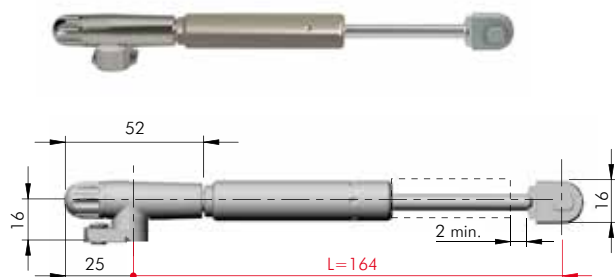
The opening of the door can be changed by adjusting the position of the piston base plate within the slot:

- **Forwards adjustment** = the door opens automatically later.
- **Backwards adjustment** = the door opens automatically in advance.





## KRABY 164 mm - DROP DOWN



ZAnk EP ST = 100 pcs.

42201010UZ 0

1200 max.	
Stays	Kg
225-250	2 x 164 mm < 3

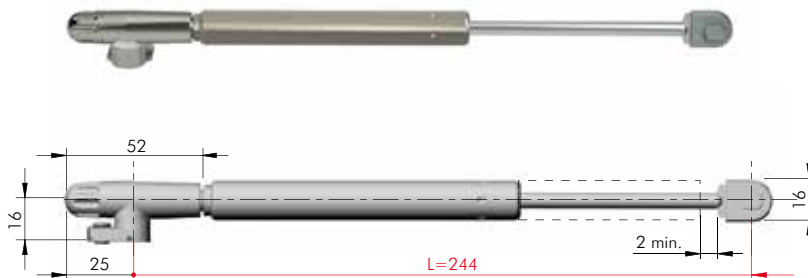
This chart refers to chipboard or MDF 18 mm doors and aluminium frame doors with glass 4 mm thick using standard flap or Kimana hinges. These are experimental results to be checked by the customer. **In accordance with the actual European regulation, we suggest to use at least two stays for each door (extra-size doors might require 3 or more gas stays).** For doors whose weights/dimensions are bigger than those reported on the chart, please increase the number of stays accordingly. Please make sure that gas stays are properly regulated in height through the apposite rotary knob so that the weight of the door is equally distributed amongst the stays used. Our technical department is at your disposal to test further cases out of this chart.

The dimensions of the drilling plan refer to carcasses which use **standard sprung hinges** and mounting plates 0 mm. Please note that min and max opening angle shown data is purely indicative. It varies with respect to the hinge brand and adjustment carried out.

Please note that in case of use of **unsprung hinges** or **negative hinges**, **magnet K Lock** is required. For details refer to section "PUSH CATCHES & MAGNETIC CATCHES".



## KRABY 244 mm - DROP DOWN



ZAnk EP ST = 100 pcs.

42210010UZ N 0

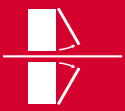
1200 max.	
Stays	Kg
301-350	2 x 244 mm < 4,9

This chart refers to chipboard or MDF 18 mm doors and aluminium frame doors with glass 4 mm thick using standard, flap or Kimana hinges. These are experimental results to be checked by the customer. **In accordance with the actual European regulation, we suggest to use at least two stays for each door (extra-size doors might require 3 or more gas stays).** For doors whose weights/dimensions are bigger than those reported on the chart, please increase the number of stays accordingly. Please make sure that gas stays are properly regulated in height through the apposite rotary knob so that the weight of the door is equally distributed amongst the stays used. Our technical department is at your disposal to test further cases out of this chart

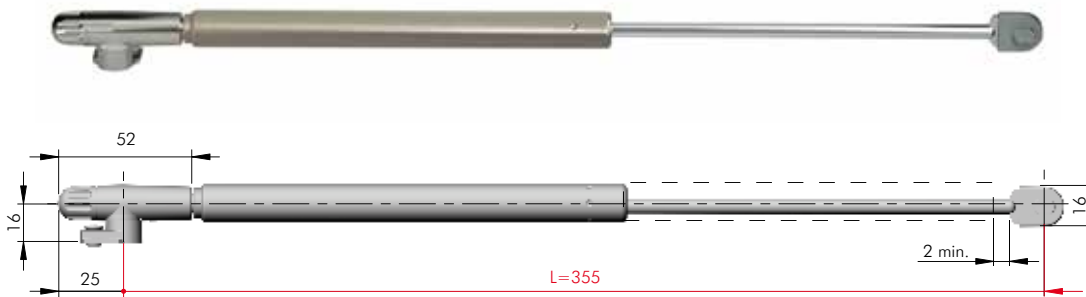
8

The dimensions of the drilling plan refer to carcasses which use **standard sprung hinges** and mounting plates 0 mm. Please note that min and max opening angle shown data is purely indicative. It varies with respect to the hinge brand and adjustment carried out.

Please note that in case of use of **unsprung hinges** or **negative hinges**, **magnet K Lock** is required. For details refer to section "PUSH CATCHES & MAGNETIC CATCHES".



## KRABY 355 mm - DROP DOWN



ZAnk EP ST = 100 pcs.

42230010UZ 0

1200 max.	
Stays	Kg
401-450	2 x 355 mm < 6,3

This chart refers to chipboard or MDF 18 mm doors and aluminium frame doors with glass 4 mm thick using standard, flap or Kimana hinges. These are experimental results to be checked by the customer. **In accordance with the actual European regulation, we suggest to use at least two stays for each door (extra-size doors might require 3 or more gas stays).** For doors whose weights/dimensions are bigger than those reported on the chart, please increase the number of stays accordingly. Please make sure that gas stays are properly regulated in height through the apposite rotary knob so that the weight of the door is equally distributed amongst the stays used. Our technical department is at your disposal to test further cases out of this chart.

The dimensions of the drilling plan refer to carcasses which use **standard sprung hinges** and mounting plates 0 mm.  
Please note that min and max opening angle shown data is purely indicative. It varies with respect to the hinge brand and adjustment carried out.

Please note that in case of use of **unsprung hinges** or **negative hinges**, **magnet K Lock** is required. For details refer to section "PUSH CATCHES & MAGNETIC CATCHES".

## KRABY DROP DOWN WITH KIMANA HINGES AND MAGNET K LOCK



### INSTALLATION

- For details refer to "KRABY BRACKETS".

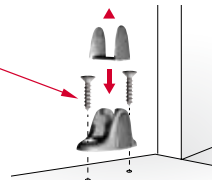


#### VERY IMPORTANT

The door bracket has to be placed in vertical position with the slot facing forwards.



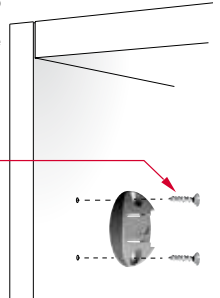
recommended fixing countersunk head wood screws  $\varnothing 4 \times 16$  mm



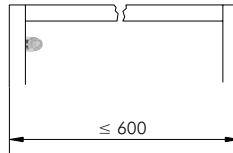
#### VERY IMPORTANT

The side bracket has to be placed with the slot in horizontal position and the open end facing the wall.

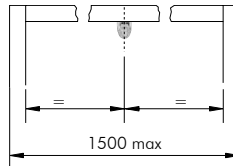
recommended fixing countersunk head wood screws  $\varnothing 4 \times 16$  mm



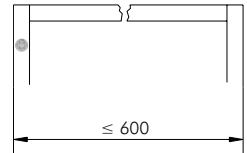
### INSTALLATION OF MAGNET K LOCK THROUGH ADAPTER HOUSING OPTION 1: VISIBLE



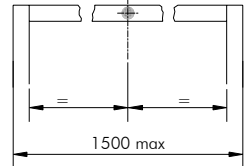
1 piece for door width  $\leq 600$  mm to be placed on same side as the Kraby.



### INSTALLATION OF MAGNET K LOCK TO BE EMBEDDED INSIDE THE PANEL OPTION 2: INVISIBLE



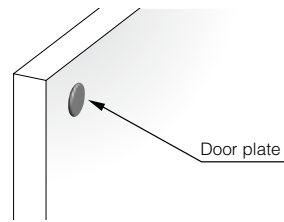
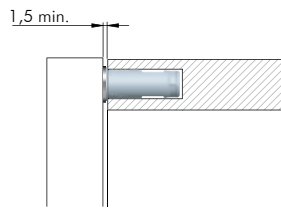
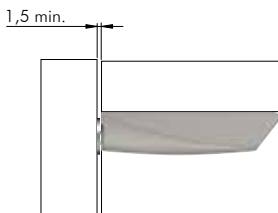
1 piece for door width  $\leq 600$  mm to be placed on same side as the Kraby.



- Our technical department is at your disposal to test wider doors.

### MAGNET K LOCK VISIBLE OR INVISIBLE VERSION AND K LOCK PLATE FOR THE DOOR

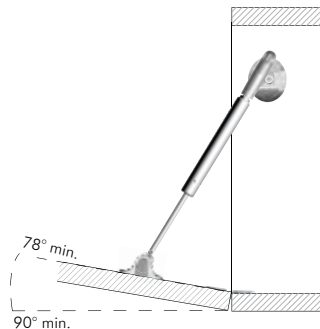
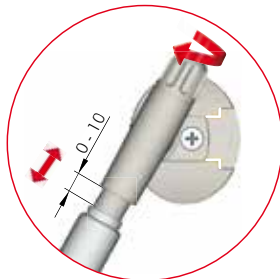
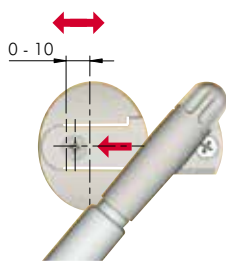
- For details refer to section "PUSH CATCHES & MAGNETIC CATCHES".



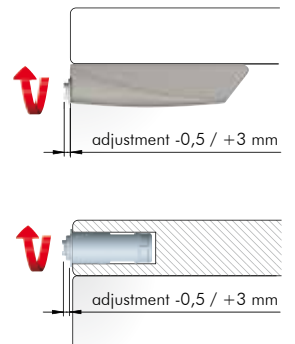
### KRABY ADJUSTMENTS

FRONT TO BACK ADJUSTMENT 0 - 10 mm

OPEN ANGLE ADJUSTMENT 0 - 10 mm

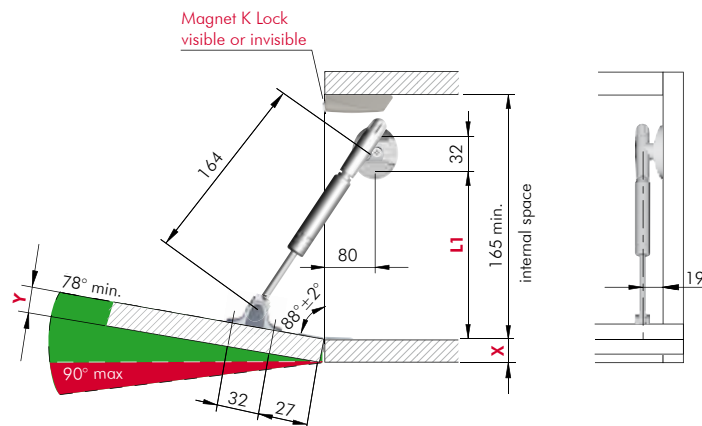
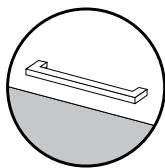


### K LOCK ADJUSTMENTS



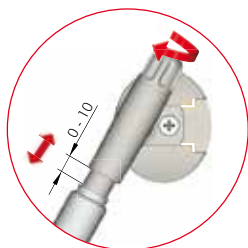


## KRABY 164 mm - DROP DOWN



The dimensions of the above drilling plan refer to carcasses which use **Kimana hinges**.

**VERY IMPORTANT:** for Kimana hinges at least 2 Kraby stays are required for any door width.

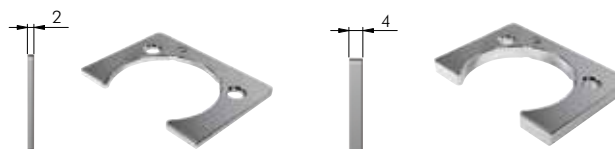
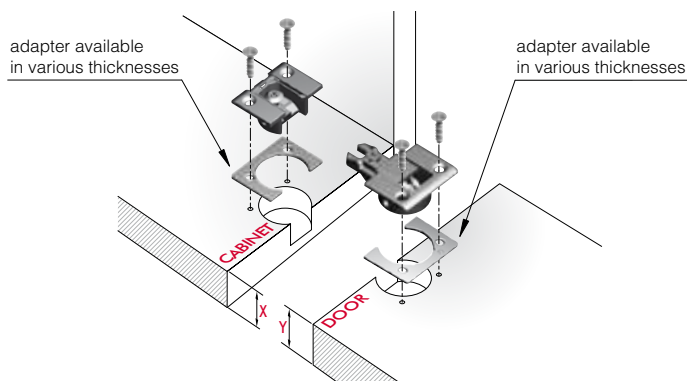


### OPEN ANGLE ADJUSTMENT:

Kraby provides 10 mm opening angle adjustment through the rotary knob. Combining Kraby with Kimana hinges, **it's strongly recommended to carry out the adjustment to get an opening angle 90° max.** Overcrossing 90° door opening angle, it negatively effects the Kimana hinges.

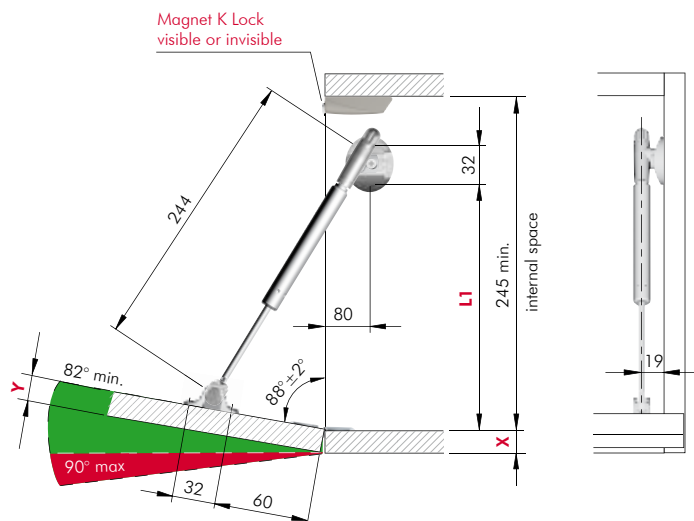
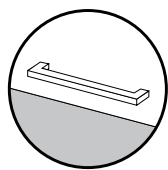
For pistons quantity to be specified according to door size, refer to the chart for "KRABY 164 mm - DROP DOWN".

X +	Y +	L1
16 + 4	16 + 2	117
16 + 4	19	119
18 + 2	19	117
19	16 + 2	113
19	19	115
20	20	115



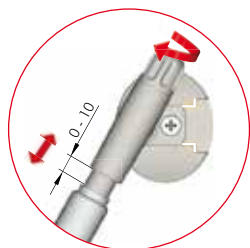
For Kimana and adapter details refer to section "HINGES".

## KRABY 244 mm - DROP DOWN



The dimensions of the above drilling plan refer to carcasses which use **Kimana hinges**.

**VERY IMPORTANT:** for Kimana hinges at least 2 Kraby stays are required for any door width.



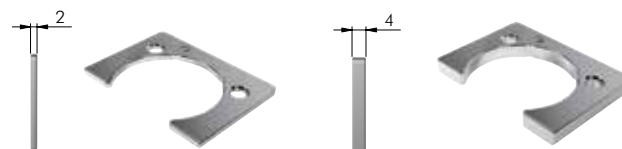
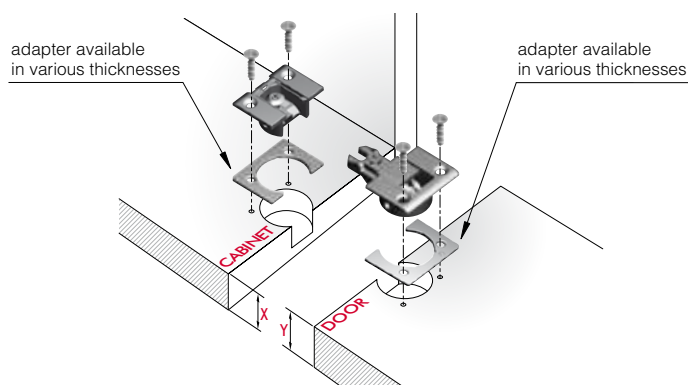
### OPEN ANGLE ADJUSTMENT:

Kraby provides 10 mm opening angle adjustment through the rotary knob. Combining Kraby with Kimana hinges, **it's strongly recommended to carry out the adjustment to get an opening angle 90° max.** Overcrossing 90° door opening angle, it negatively effects the Kimana hinges.

8

For pistons quantity to be specified according to door size, refer to the chart for "KRABY 244 mm - DROP DOWN".

X +	Y +	L1
16 + 4	16 + 2	197
16 + 4	19	199
18 + 2	19	197
19	16 + 2	193
19	19	195
20	20	195



For Kimana and adapter details refer to section "HINGES".



## KRABY 355 mm - DROP DOWN

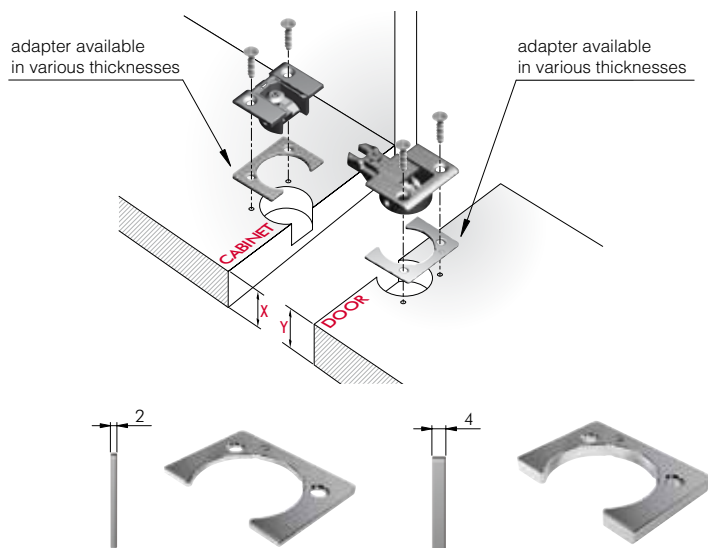
The dimensions of the above drilling plan refer to carcasses which use **Kimana hinges**.

**VERY IMPORTANT:** for Kimana hinges at least 2 Kraby stays are required for any door width.

**OPEN ANGLE ADJUSTMENT:**  
 Kraby provides 10 mm opening angle adjustment through the rotary knob. Combining Kraby with Kimana hinges, **it's strongly recommended to carry out the adjustment to get an opening angle 90° max.** Overcrossing 90° door opening angle, it negatively effects the Kimana hinges.

For pistons quantity to be specified according to door size, refer to the chart for "KRABY 355 mm - DROP DOWN".

X +	Y +	L1
16 + 4	16 + 2	302
16 + 4	19	304
18 + 2	19	302
19	16 + 2	298
19	19	300
20	20	300



For Kimana and adapter details refer to section "HINGES".

## KRABY DROP DOWN WITH FLAP HINGES AND MAGNET K LOCK



### INSTALLATION

- For details refer to "KRABY BRACKETS".

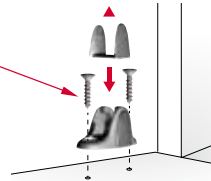


#### VERY IMPORTANT

The door bracket has to be placed in vertical position with the slot facing forwards.



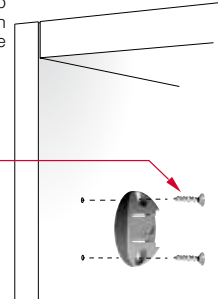
recommended fixing countersunk head wood screws  $\varnothing 4 \times 16$  mm



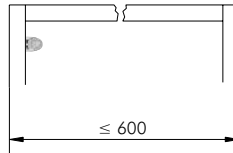
#### VERY IMPORTANT

The side bracket has to be placed with the slot in horizontal position and the open end facing the wall.

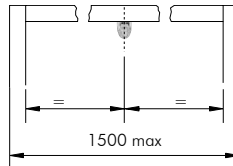
recommended fixing countersunk head wood screws  $\varnothing 4 \times 16$  mm



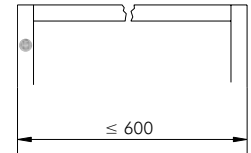
### INSTALLATION OF MAGNET K LOCK THROUGH ADAPTER HOUSING OPTION 1: VISIBLE



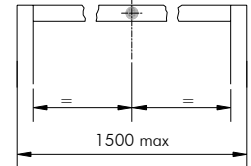
1 piece for door width  $\leq 600$  mm to be placed on same side as the Kraby.



### INSTALLATION OF MAGNET K LOCK TO BE EMBEDDED INSIDE THE PANEL OPTION 2: INVISIBLE



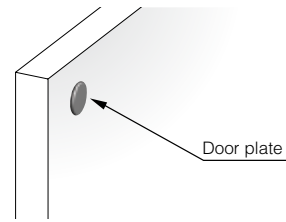
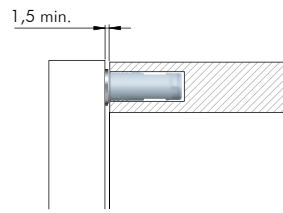
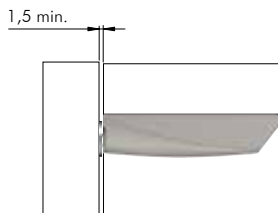
1 piece for door width  $\leq 600$  mm to be placed on same side as the Kraby.



- Our technical department is at your disposal to test wider doors.

### MAGNET K LOCK VISIBLE OR INVISIBLE VERSION AND K LOCK PLATE FOR THE DOOR

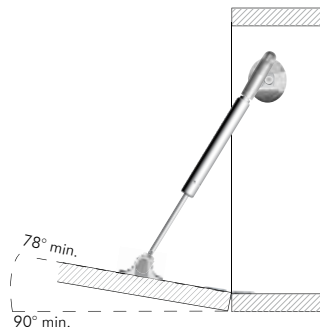
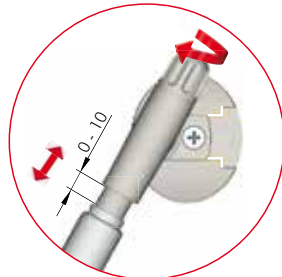
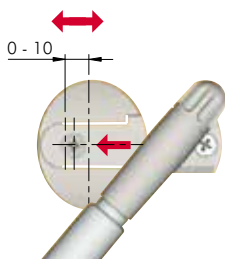
- For details refer to section "PUSH CATCHES & MAGNETIC CATCHES".



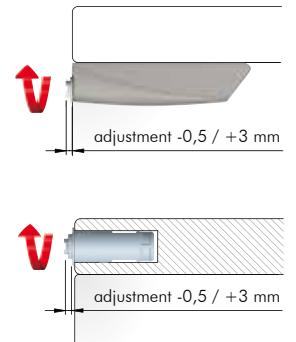
### KRABY ADJUSTMENTS

FRONT TO BACK ADJUSTMENT 0 - 10 mm

OPEN ANGLE ADJUSTMENT 0 - 10 mm



### K LOCK ADJUSTMENTS







## KRABY 164 mm - DROP DOWN

The dimensions of the drilling plan refer to carcasses which use flap hinges.

**OPEN ANGLE ADJUSTMENT:**  
 Kraby provides 10 mm opening angle adjustment through the rotary knob. Combining Kraby with flap hinges, **it's strongly recommended to carry out the adjustment to get an opening angle 90° max.** Overcrossing 90° door opening angle, it negatively effects the flap hinges.

For pistons quantity to be specified according to door size, refer to the chart for "KRABY 164 mm - DROP DOWN".



## KRABY 244 mm - DROP DOWN

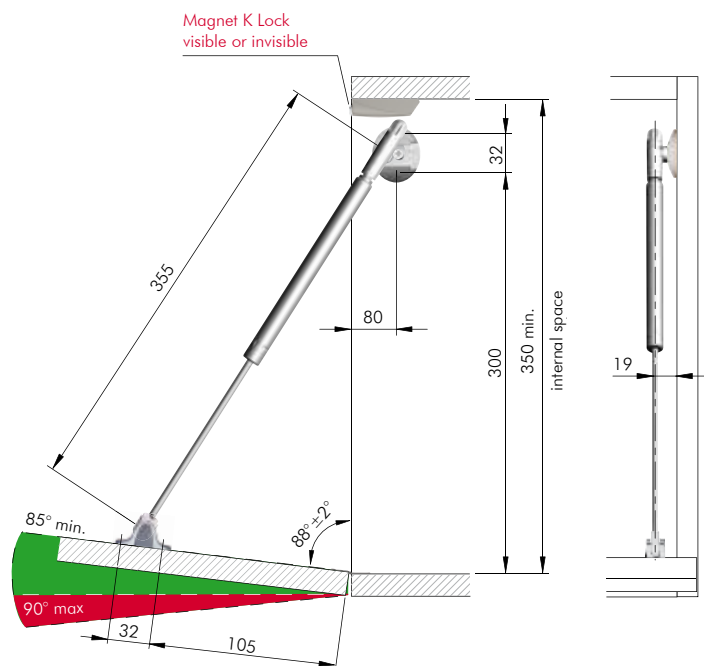
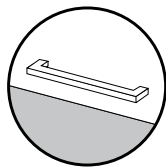
The dimensions of the above drilling plan refer to carcasses which use flap hinges.

**OPEN ANGLE ADJUSTMENT:**  
 Kraby provides 10 mm opening angle adjustment through the rotary knob. Combining Kraby with flap hinges, **it's strongly recommended to carry out the adjustment to get an opening angle 90° max.** Overcrossing 90° door opening angle, it negatively effects the flap hinges.

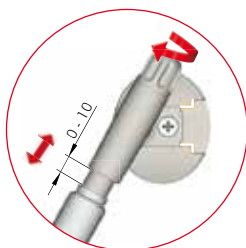
For pistons quantity to be specified according to door size, refer to the chart for "KRABY 244 mm - DROP DOWN".



## KRABY 355 mm - DROP DOWN



The dimensions of the above drilling plan refer to carcasses which use flap hinges.



### OPEN ANGLE ADJUSTMENT:

Kraby provides 10 mm opening angle adjustment through the rotary knob. Combining Kraby with flap hinges, **it's strongly recommended to carry out the adjustment to get an opening angle 90° max.** Overcrossing 90° door opening angle, it negatively effects the flap hinges.

For pistons quantity to be specified according to door size, refer to the chart for "KRABY 355 mm - DROP DOWN".



## KRABY DROP DOWN WITH STANDARD UNSPRUNG OR NEGATIVE HINGES AUTOMATIC OPENING DOOR WITH K PUSH TECH THE SHORT WITH MAGNET



### INSTALLATION

- For details refer to "KRABY BRACKETS".

K Push Tech the short with magnet

OPTION 1: Visible

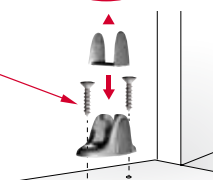
OPTION 2: Invisible

#### VERY IMPORTANT

The door bracket has to be placed in vertical position with the slot facing forwards.



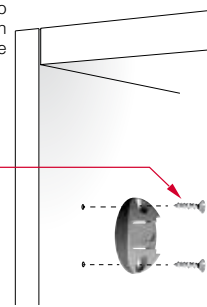
recommended fixing countersunk head wood screws  $\varnothing 4 \times 16$  mm



#### VERY IMPORTANT

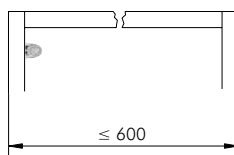
The side bracket has to be placed with the slot in horizontal position and the open end facing the wall.

recommended fixing countersunk head wood screws  $\varnothing 4 \times 16$  mm

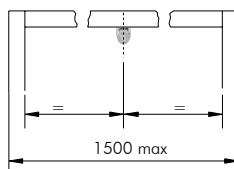


### INSTALLATION OF K PUSH TECH THE SHORT WITH MAGNET THROUGH ADAPTER HOUSING

OPTION 1: VISIBLE

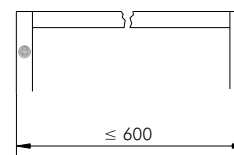


1 piece for door width  $\leq 600$  mm to be placed on same side as the Kraby.

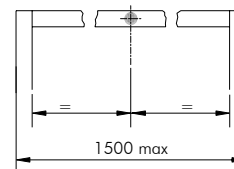


### INSTALLATION OF K PUSH TECH THE SHORT WITH MAGNET TO BE EMBEDDED INSIDE THE PANEL

OPTION 2: INVISIBLE



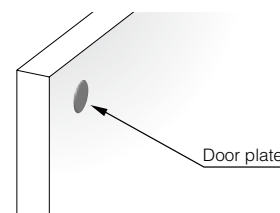
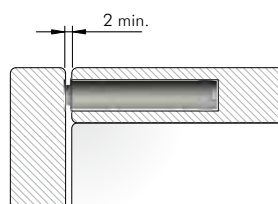
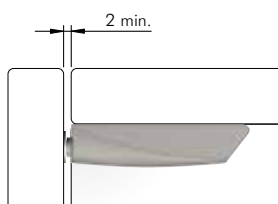
1 piece for door width  $\leq 600$  mm to be placed on same side as the Kraby.



- Our technical department is at your disposal to test wider doors.

### K PUSH TECH THE SHORT WITH MAGNET VISIBLE OR INVISIBLE VERSION AND K PUSH TECH PLATE FOR THE DOOR

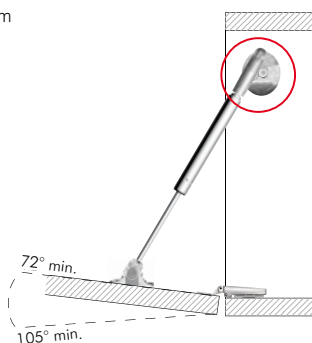
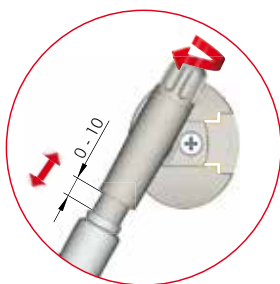
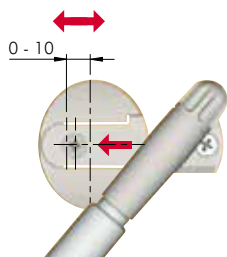
- For details refer to section "PUSH CATCHES & MAGNETIC CATCHES".



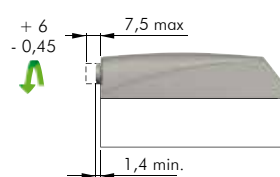
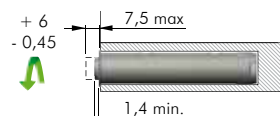
### KRABY ADJUSTMENTS

FRONT TO BACK ADJUSTMENT 0 - 10 mm

OPEN ANGLE ADJUSTMENT 0 - 10 mm



### K PUSH TECH ADJUSTMENTS



## KRABY 164 mm - DROP DOWN

Push to open

K Push Tech the short with magnet visible or invisible

164

32

135

185 min

internal space

60

72° min.

105° min.

32

25

19

The dimensions of the drilling plan refer to carcasses which use **standard unsprung or negative hinges** and mounting plates 0 mm. Please note that min and max opening angle shown data is purely indicative. It varies with respect to the hinge brand and adjustment carried out.

For pistons quantity to be specified according to door size, refer to the chart for "KRABY 164 mm - DROP DOWN".

Please note that utilization with **standard sprung hinges** and **K Push Tech with buffer** is also possible. In such case, after the door is initially released by K Push Tech, a manual opening approx. 7cm is required (in order to win the spring resistance). Consequently, the door will automatically open to the fullest. For details refer to section "PUSH CATCHES & MAGNETIC CATCHES".

## KRABY 244 mm - DROP DOWN

Push to open

K Push Tech the short with magnet visible or invisible

244

32

210

260 min.

internal space

60

80° min.

98° min.

32

55

19

The dimensions of the drilling plan refer to carcasses which use **standard unsprung or negative hinges** and mounting plates 0 mm. Please note that min and max opening angle shown data is purely indicative. It varies with respect to the hinge brand and adjustment carried out.

For pistons quantity to be specified according to door size, refer to the chart for "KRABY 244 mm - DROP DOWN".

Please note that utilization with **standard sprung hinges** and **K Push Tech with buffer** is also possible. In such case, after the door is initially released by K Push Tech, a manual opening approx. 7cm is required (in order to win the spring resistance). Consequently, the door will automatically open to the fullest. For details refer to section "PUSH CATCHES & MAGNETIC CATCHES".



## KRABY 355 mm - DROP DOWN

K Push Tech the short with magnet visible or invisible

Push to open

355

60

32

315

365 min. internal space

19

83° min.

93° min.

32

105

The dimensions of the drilling plan refer to carcasses which use **standard unsprung or negative hinges** and mounting plates 0 mm.  
Please note that min and max opening angle shown data is purely indicative. It varies with respect to the hinge brand and adjustment carried out.

For pistons quantity to be specified according to door size, refer to the chart for "KRABY 355 mm - DROP DOWN".

Please note that utilization with **standard sprung hinges** and **K Push Tech with buffer** is also possible. In such case, after the door is initially released by K Push Tech, a manual opening approx. 7cm is required (in order to win the spring resistance). Consequently, the door will automatically open to the fullest. For details refer to section "PUSH CATCHES & MAGNETIC CATCHES".

## KRABY DROP DOWN WITH KIMANA HINGES

### AUTOMATIC OPENING DOOR WITH K PUSH TECH THE MEDIUM WITH MAGNET



#### INSTALLATION

- For details refer to "KRABY BRACKETS".

K Push Tech the medium with magnet

OPTION 1: Visible

OPTION 2: Invisible

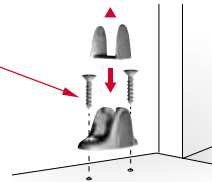
**VERY IMPORTANT**  
The door bracket has to be placed in vertical position with the slot facing forwards.



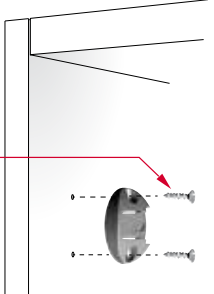
**VERY IMPORTANT**

The side bracket has to be placed in horizontal position with the slot in horizontal position and the open end facing the wall.

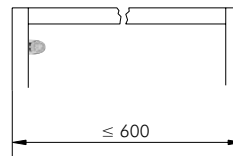
recommended fixing countersunk head wood screws  $\varnothing 4 \times 16$  mm



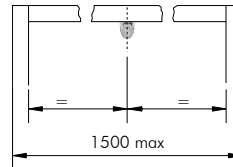
recommended fixing countersunk head wood screws  $\varnothing 4 \times 16$  mm



#### INSTALLATION OF K PUSH TECH THE MEDIUM WITH MAGNET THROUGH ADAPTER HOUSING OPTION 1: VISIBLE

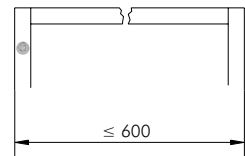


1 piece for door width  $\leq 600$  mm to be placed on same side as the Kraby.

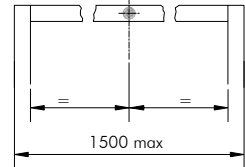


- Our technical department is at your disposal to test wider doors.

#### INSTALLATION OF K PUSH TECH THE MEDIUM WITH MAGNET TO BE EMBEDDED INSIDE THE PANEL OPTION 2: INVISIBLE

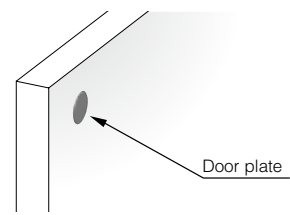
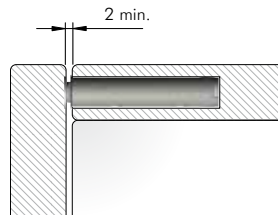
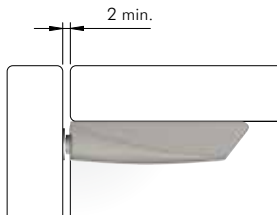


1 piece for door width  $\leq 600$  mm to be placed on same side as the Kraby.



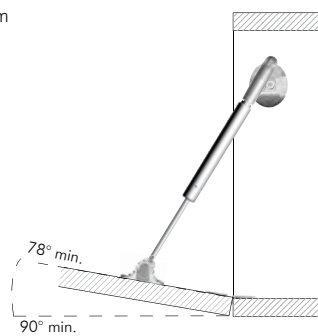
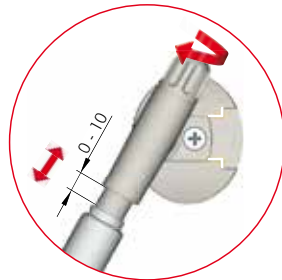
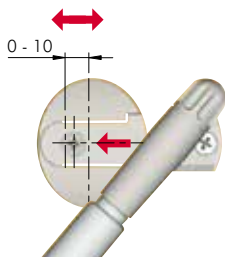
#### K PUSH TECH THE MEDIUM WITH MAGNET VISIBLE OR INVISIBLE VERSION AND K PUSH TECH PLATE FOR THE DOOR

- For details refer to section "PUSH CATCHES & MAGNETIC CATCHES".

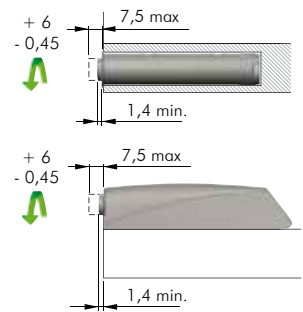


#### KRABY ADJUSTMENTS

FRONT TO BACK ADJUSTMENT 0 - 10 mm OPEN ANGLE ADJUSTMENT 0 - 10 mm



#### K PUSH TECH ADJUSTMENTS





## KRABY 164 mm - DROP DOWN

Push to open

K Push Tech the medium with magne visibile or invisible

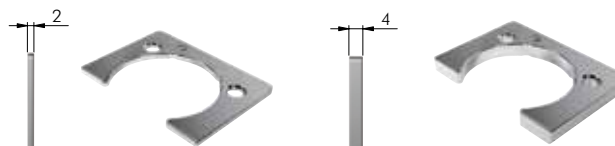
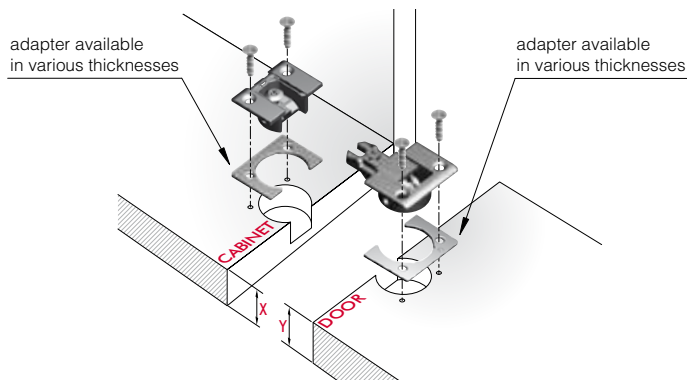
The dimensions of the above drilling plan refer to carcasses which use **Kimana hinges**.

**VERY IMPORTANT:** for Kimana hinges at least 2 Kraby stays are required for any door width.

**OPEN ANGLE ADJUSTMENT:**  
 Kraby provides 10 mm opening angle adjustment through the rotary knob. Combining Kraby with Kimana hinges, **it's strongly recommended to carry out the adjustment to get an opening angle 90° max.** Overcrossing 90° door opening angle, it negatively effects the Kimana hinges.

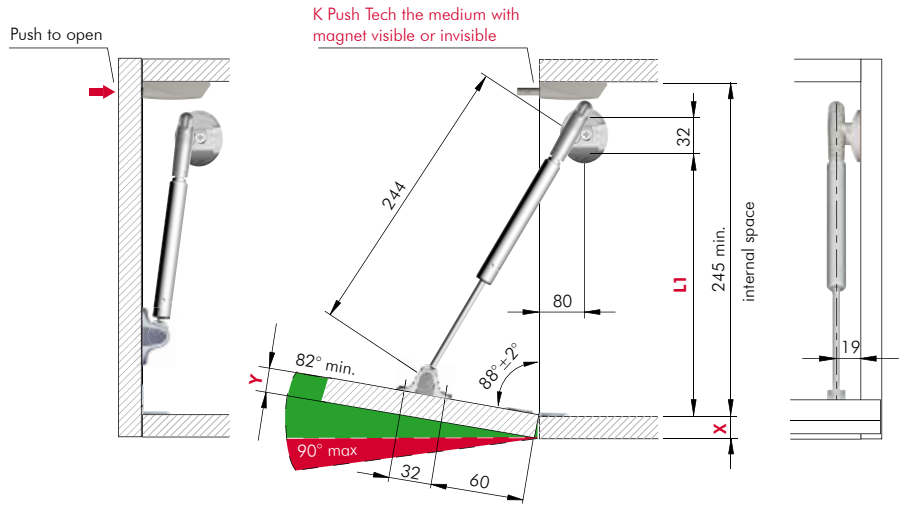
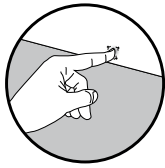
For pistons quantity to be specified according to door size, refer to the chart for "KRABY 164 mm - DROP DOWN".

X +	Y +	L1
16 + 4	16 + 2	117
16 + 4	19	119
18 + 2	19	117
19	16 + 2	113
19	19	115
20	20	115



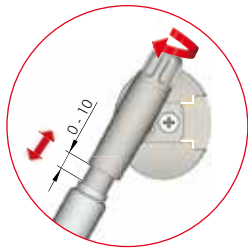
For Kimana and adapter details refer to section "HINGES".

## KRABY 244 mm - DROP DOWN



The dimensions of the above drilling plan refer to carcasses which use **Kimana hinges**.

**VERY IMPORTANT:** for Kimana hinges at least 2 Kraby stays are required for any door width.



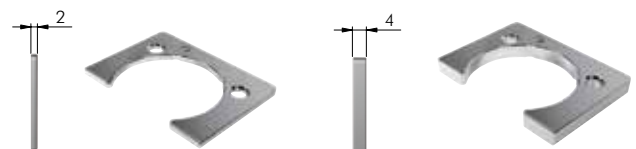
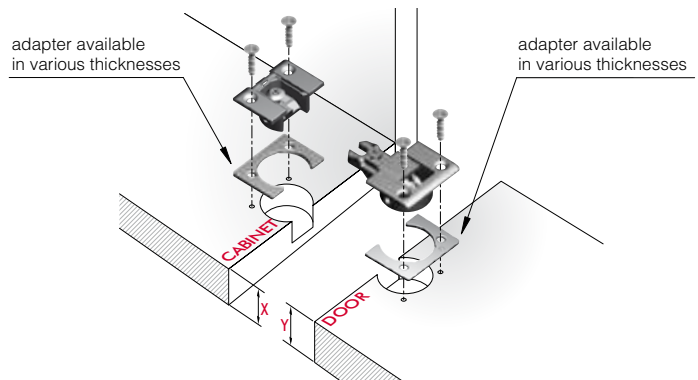
### OPEN ANGLE ADJUSTMENT:

Kraby provides 10 mm opening angle adjustment through the rotary knob. Combining Kraby with Kimana hinges, **it's strongly recommended to carry out the adjustment to get an opening angle 90° max.** Overcrossing 90° door opening angle, it negatively effects the Kimana hinges.

8

For pistons quantity to be specified according to door size, refer to the chart for "KRABY 244 mm - DROP DOWN".

X +	Y +	L1
16 + 4	16 + 2	197
16 + 4	19	199
18 + 2	19	197
19	16 + 2	193
19	19	195
20	20	195



For Kimana and adapter details refer to section "HINGES".





## KRABY 355 mm - DROP DOWN

K Push Tech the medium with magnet visible or invisible

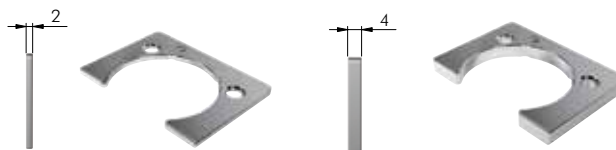
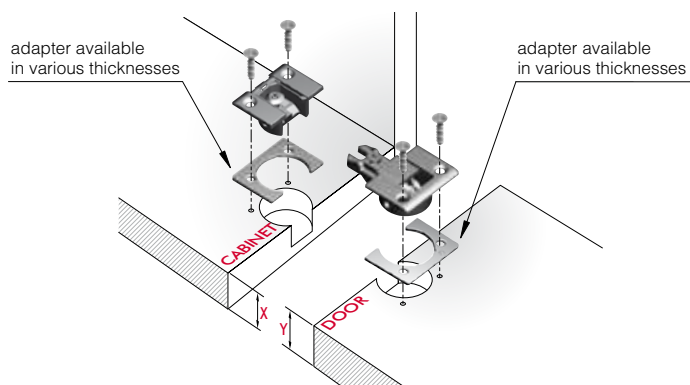
VERY IMPORTANT: for Kimana hinges at least 2 Kraby stays are required for any door width.

! OPEN ANGLE ADJUSTMENT:

Kraby provides 10 mm opening angle adjustment through the rotary knob. Combining Kraby with Kimana hinges, **it's strongly recommended to carry out the adjustment to get an opening angle 90° max.** Overcrossing 90° door opening angle, it negatively effects the Kimana hinges.

For pistons quantity to be specified according to door size, refer to the chart for "KRABY 355 mm - DROP DOWN".

X +	Y +	L1
16 + 4	16 + 2	302
16 + 4	19	304
18 + 2	19	302
19	16 + 2	298
19	19	300
20	20	300



For Kimana and adapter details refer to section "HINGES".

## KRABY DROP DOWN WITH FLAP HINGES AUTOMATIC OPENING DOOR WITH K PUSH TECH THE SHORT WITH MAGNET



### INSTALLATION

- For details refer to "KRABY BRACKETS".

K Push Tech the short with magnet

OPTION 1: Visible

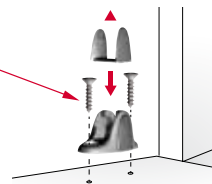
OPTION 2: Invisible

### VERY IMPORTANT

The door bracket has to be placed in vertical position with the slot facing forwards.



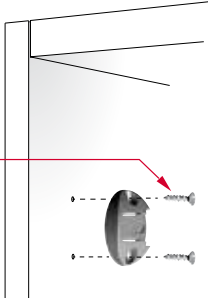
recommended fixing countersunk head wood screws  $\varnothing 4 \times 16$  mm



### VERY IMPORTANT

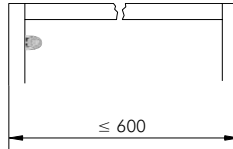
The side bracket has to be placed with the slot in horizontal position and the open end facing the wall.

recommended fixing countersunk head wood screws  $\varnothing 4 \times 16$  mm

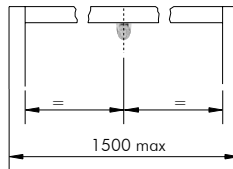


### INSTALLATION OF K PUSH TECH THE SHORT WITH MAGNET THROUGH ADAPTER HOUSING

#### OPTION 1: VISIBLE

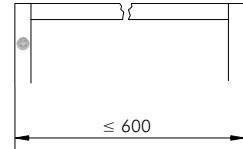


1 piece for door width  $\leq 600$  mm to be placed on same side as the Kraby.

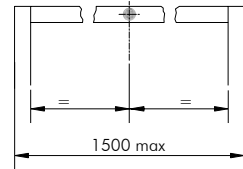


### INSTALLATION OF K PUSH TECH THE SHORT WITH MAGNET TO BE EMBEDDED INSIDE THE PANEL

#### OPTION 2: INVISIBLE



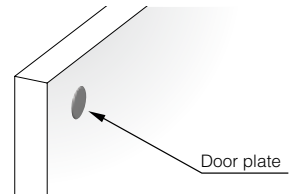
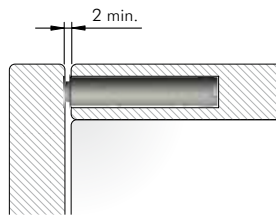
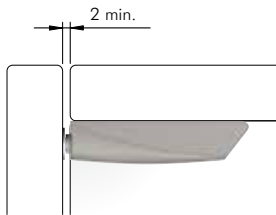
1 piece for door width  $\leq 600$  mm to be placed on same side as the Kraby.



- Our technical department is at your disposal to test wider doors.

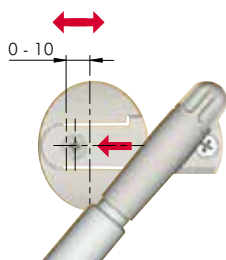
### K PUSH TECH THE SHORT WITH MAGNET VISIBLE OR INVISIBLE VERSION AND K PUSH TECH PLATE FOR THE DOOR

- For details refer to section "PUSH CATCHES & MAGNETIC CATCHES".

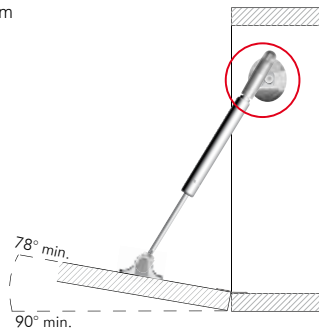
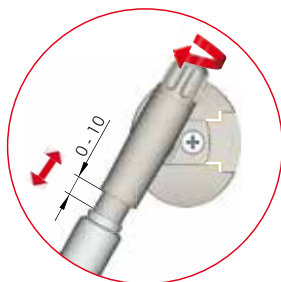


### KRABY ADJUSTMENTS

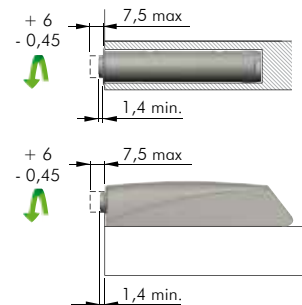
FRONT TO BACK ADJUSTMENT 0 - 10 mm



OPEN ANGLE ADJUSTMENT 0 - 10 mm



### K PUSH TECH ADJUSTMENTS





## KRABY 164 mm - DROP DOWN

Push to open

K Push Tech the short with magnet visible or invisible

The dimensions of the drilling plan refer to carcasses which use flap hinges.

**!**

**OPEN ANGLE ADJUSTMENT:**  
 Kraby provides 10 mm opening angle adjustment through the rotary knob. Combining Kraby with flap hinges, **it's strongly recommended to carry out the adjustment to get an opening angle 90° max.** Overcrossing 90° door opening angle, it negatively effects the flap hinges.

For pistons quantity to be specified according to door size, refer to the chart for "KRABY 164 mm - DROP DOWN".



## KRABY 244 mm - DROP DOWN

Push to open

K Push Tech the short with magnet visible or invisible

The dimensions of the drilling plan refer to carcasses which use flap hinges.

**!**

**OPEN ANGLE ADJUSTMENT:**  
 Kraby provides 10 mm opening angle adjustment through the rotary knob. Combining Kraby with flap hinges, **it's strongly recommended to carry out the adjustment to get an opening angle 90° max.** Overcrossing 90° door opening angle, it negatively effects the flap hinges.

For pistons quantity to be specified according to door size, refer to the chart for "KRABY 244 mm - DROP DOWN".



## KRABY 355 mm - DROP DOWN

The dimensions of the drilling plan refer to carcasses which use **flap hinges**.

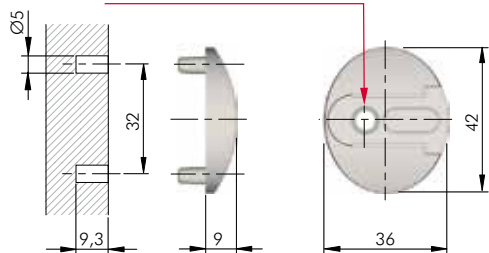
**⚠ OPEN ANGLE ADJUSTMENT:**  
 Kraby provides 10 mm opening angle adjustment through the rotary knob. Combining Kraby with flap hinges, **it's strongly recommended to carry out the adjustment to get an opening angle 90° max.** Overcrossing 90° door opening angle, it negatively effects the flap hinges.

For pistons quantity to be specified according to door size, refer to the chart for "KRABY 355 mm - DROP DOWN".



## KRABY BRACKETS

recommended fixing countersunk  
head wood screw  $\varnothing 4 \times 16$  mm



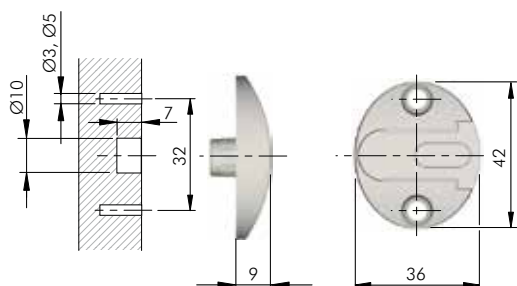
=  $\varnothing 5$  mm

ZA

= 100 pcs.



42901010YC



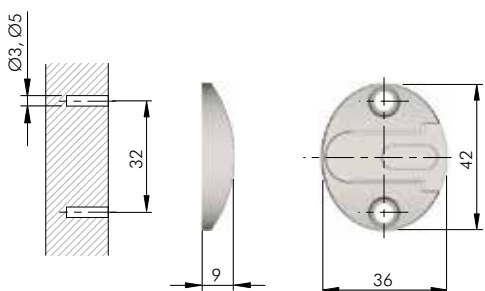
=  $\varnothing 3, \varnothing 5$  mm +  $\varnothing 10$  mm

ZA

= 100 pcs.



42901020YC



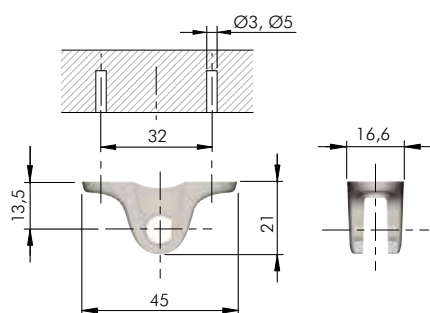
=  $\varnothing 3, \varnothing 5$  mm

ZA

= 100 pcs.



42901030YC



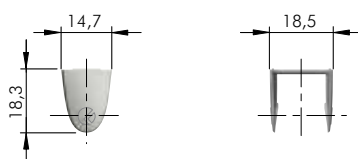
=  $\varnothing 3, \varnothing 5$  mm

ZA

= 100 pcs.



42918010YC



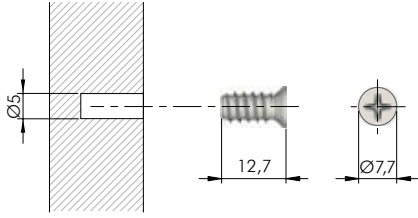
EPg

= 100 pcs.

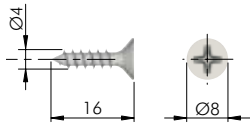


4291901000

## KRABY FIXING ACCESSORIES



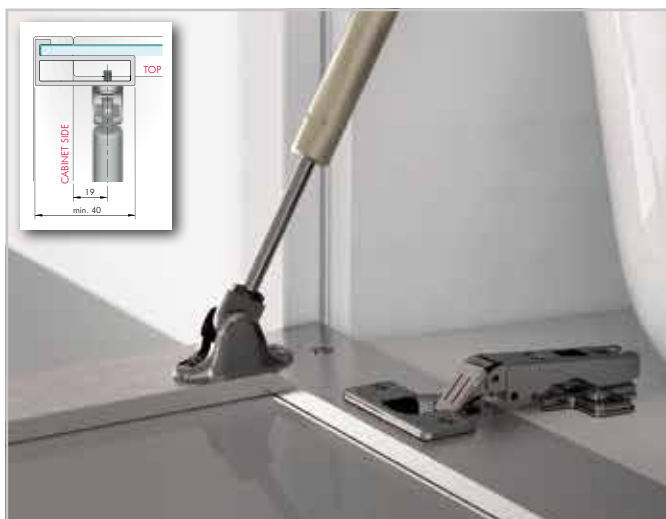
= Ø 5 mm	
= PZ2	
	= 5000 pcs.
60501050YA	



= Ø 3 mm	
= PZ2	
	= 5000 pcs.
60101570YA	

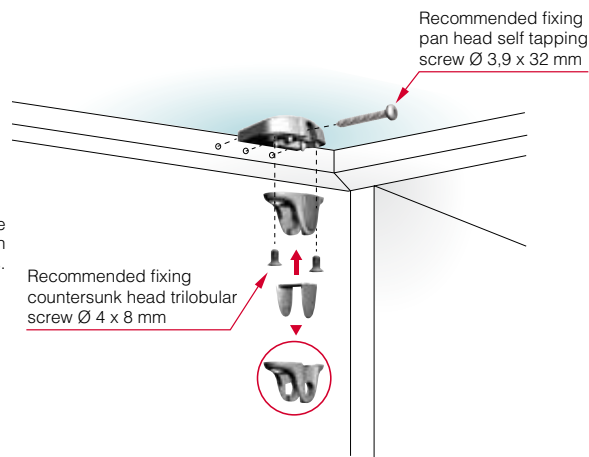
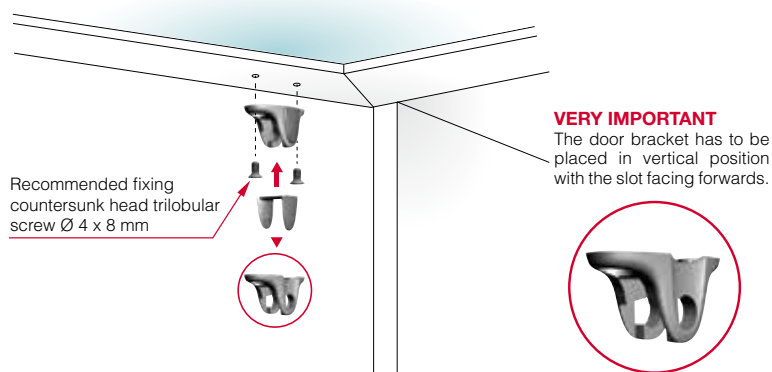


## KRABY ADAPTERS FOR ALUMINIUM FRAME DOOR

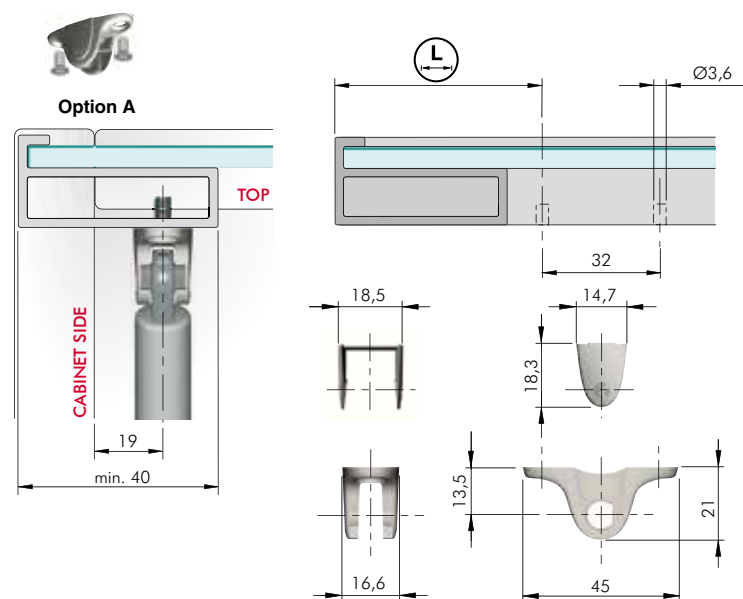


INSTALLATION ON WIDER ALUMINIUM FRAME DOOR

INSTALLATION ON NARROW ALUMINIUM FRAME DOOR



WIDER ALUMINIUM FRAME DOOR

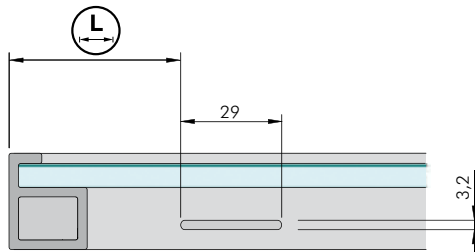
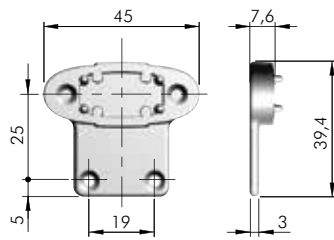
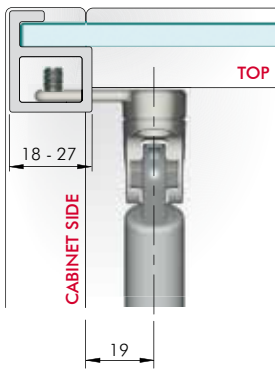


	= Ø 3,6 mm		= 100 pcs.
ZA	EP		
42918010YC			
4291901000			

## NARROW ALUMINIUM FRAME DOOR



Option B



ZA

= 100 pcs.



42903010YC



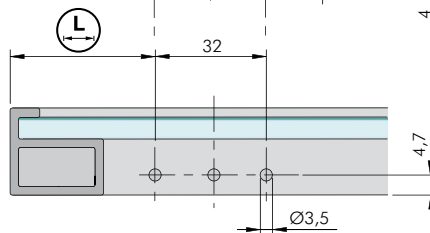
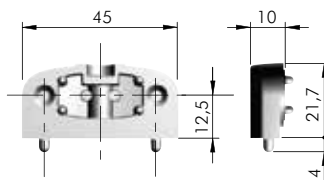
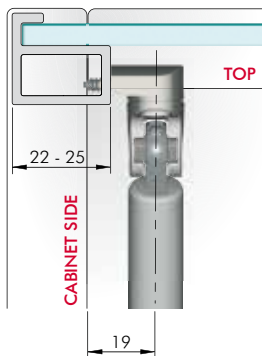
42918010YC



4291901000



Option C



= Ø 3,5 mm

ZA

= 100 pcs.



42904010YC



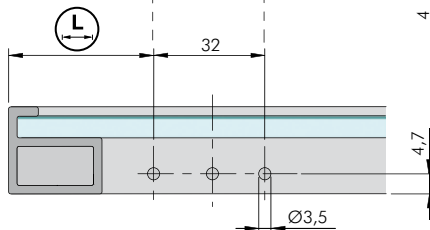
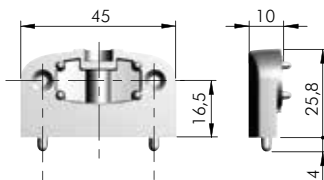
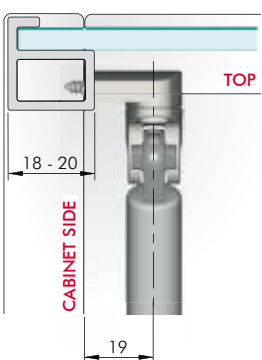
42918010YC



4291901000



Option D



= Ø 3,5 mm

ZA

= 100 pcs.



42905010YC



42918010YC

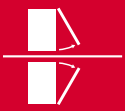


4291901000



8





 **KRABY LIFT UP AUTOMATIC WITH STANDARD SPRUNG HINGES**

 **KRABY LIFT UP FRICTION WITH STANDARD SPRUNG HINGES**

 **KRABY DROP DOWN WITH STANDARD SPRUNG HINGES**

- For details refer to related sections

 **KRABY LIFT UP WITH STANDARD UNSPRUNG OR NEGATIVE HINGES AUTOMATIC OPENING DOOR WITH K PUSH THE SHORT WITH MAGNET**

- For details refer to related sections

 **KRABY DROP DOWN WITH KIMANA HINGES AND MAGNET K LOCK**

 **KRABY DROP DOWN WITH FLAP HINGES AND MAGNET K LOCK**

- For details refer to related sections

 **KRABY DROP DOWN WITH STANDARD UNSPRUNG OR NEGATIVE HINGES AUTOMATIC OPENING DOOR WITH K PUSH THE SHORT WITH MAGNET**



- For details refer to related sections



 **KRABY DROP DOWN WITH KIMANA HINGES AUTOMATIC OPENING DOOR WITH K PUSH THE LONG WITH MAGNET**



- For details refer to related sections



 **KRABY DROP DOWN WITH FLAP HINGES AUTOMATIC OPENING DOOR WITH K PUSH THE SHORT WITH MAGNET**



- For details refer to related sections



KRABY	L	
		
164	31	32,5
244	68	69,5
355	119	120,5
480	174	175,5

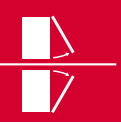
KRABY	L	
		
164	25	26,5
244	55	56,5
355	105	106,5

KRABY	L	
		
164	27	28,5
244	60	61,5
355	105	106,5

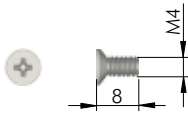
KRABY	L	
		
164	25	26,5
244	55	56,5
355	105	106,5





KRABY	L	
		
164	27	28,5
244	60	61,5
355	105	106,5

KRABY	L	
		
164	27	28,5
244	60	61,5
355	105	106,5



## ALUMINIUM ADAPTERS FIXING ACCESSORIES

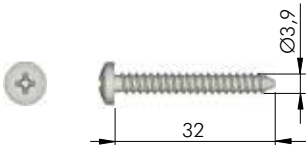








 = PZ2  
 = on request



42906010YA

For wider aluminium frame and for options A, B, C, D.





 = PZ2  
 = on request



60203410YA

For options C and D.